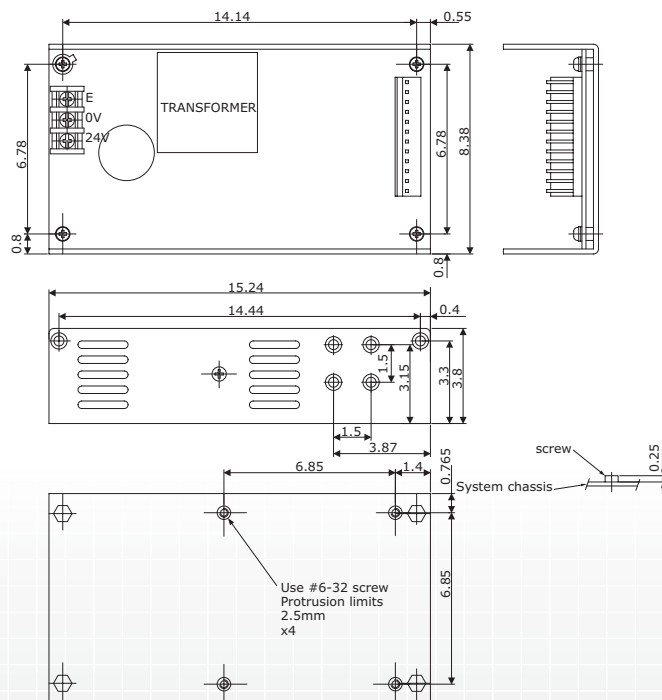


BPW-8310

100W AC-DC Open Frame ATX Power Supply
Requiring 18CFM Forced Air Cooling

Industrial Power Supply
AC-DC



FEATURES

- ***Input Voltage:** 85~264VAC
- ***Input Frequency:** 47~63Hz
- ***Input Current:** 3A at 115VAC or 1.5A at 230VAC max.
- ***Inrush Current:** < 30A at 115VAC input or < 60A at 230VAC input at 25°C cold start
- ***Load Range:** With the +5V output set between 5.08~5.13V and all output at 60% rated load, while the other outputs are within the accuracy range; max. total combined output power on the +3.3V and +5V rails is 70W, with the max. load not exceeding 120W
- ***Ripple and Noise:** Peak to peak ripple and noise is < 50mV for +5V and +3.3V outputs, 120mV for +5Vsb, < 120mV for +12V, and 200mV for -12V at rated load and nominal input
- ***Line Regulation:** < +/-1% for rated load with a +/-10% change in input voltage
- ***Load Regulation:** < +/-2% for +5V, < +7~-3% for +12V, < +8~-3% for -12V, < +/-5% for +3.3V with measured output load changing within +/-40% and 60% rated load, while keeping other outputs at 60% rated load
- ***Hold Up Time:** > 16ms at 115VAC input and rated load
- ***Power ON/OFF:** Turns on power supply when power on/off pin is connected to secondary GND
- ***Efficiency:** > 70% at nominal line and rated load
- ***Altitude:** 10,000 feet
- ***Protection:** Hiccup mode against short circuit or over load conditions auto recovery when fault conditions are removed
- ***Temperature:** 0~+50°C, output power is 100W with 6CFM forced air, 120W with 18CFM forced air (operating); -40~+85°C (storage)
- ***Connectors:**
AC Input: Molex 5273-05A withdraw 2-pin or equivalent device
DC Output: TB2 is Molex 5273-14A or equivalent device; TB3 is Molex 5045-03A or equivalent device
- ***Dimensions:** 8.38 x 15.24 x 3.97 cm. Tolerance at +/-0.4mm

SAFETY STANDARDS

- ***Safety:** UL 1950 / CSA 22.2 No.234 / VDE EN60950
- ***EMI:** FCC class B / EN55022 B
- ***EMS:** Level 3 of IEC-802, 803, 804, 805

PIN	Output
1~3	+5V
4~8	GND
9~10	+12V
11~13	+3.3V
14	-12V

PIN	Output
1	PWR On/Off
2	GND
3	+5Vsb

Output Voltage	Min. Load	Rated Load	Max. Load	Tolerance
+5V	1A	8A	14A	4.9~5.1V
+12V	0A	2.5A	6A	11.25~12.75V
-12V	0A	0.5A	1A	-11.25~-13V
+3.3V	0A	8A	12A	3.1~3.5V
+5Vsb	0A	0.75A	----	4.8~5.2V