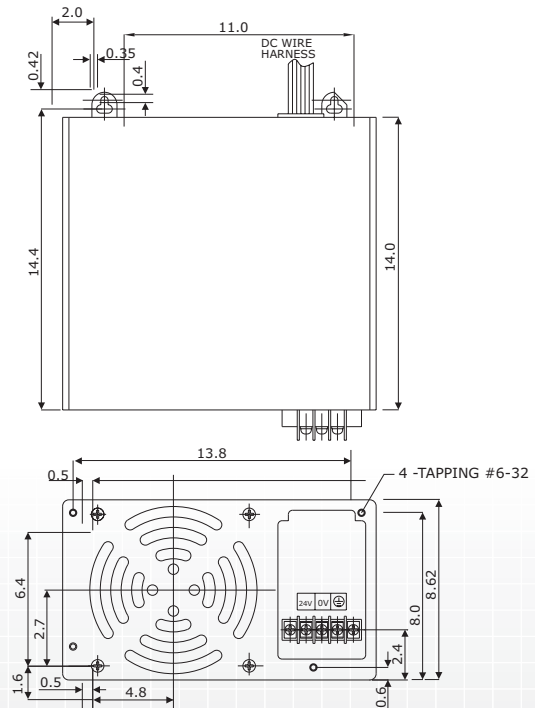
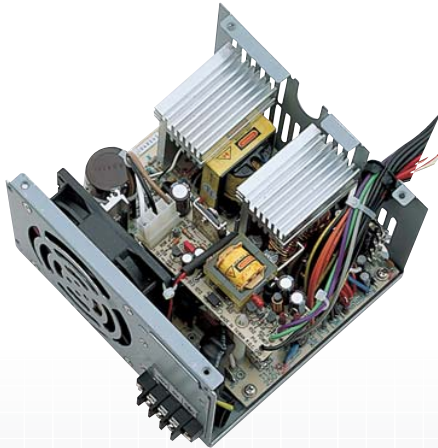


# BPW-830C

300W DC-DC ATX power supply  
Input Range: 19~32VDC

Industrial Power Supply  
DC-DC



## FEATURES

- \***Input Voltage:** 19~32VDC
- \***Input Current:** Max. 20A at 24VDC
- \***Inrush Current:** < 5A at 24VDC input, cold start at 25°C
- \***Ripple And Noise:** Peak to peak ripple and noise is < 50mV for +5V and +3.3V outputs, < 100mV for other outputs when output voltage is at rated load
- \***Line Regulation:** < +/-1% for each output measured at rated load and +19~+32V input voltage variables
- \***Load Regulation:** Output voltage load regulation is less than the value on the table when each output load changes rated loads from +/-40%~60%, with all other outputs at 60% rated load
- \***Output Power:** Total DC continuous power is within 300W at < 30°C ambient temperature and 24~32V input voltage; max. total combined output power on 3.3V and 5V rails is 150W
- \***Efficiency:** 65% typical at nominal line and rated load
- \***Altitude:** 10,000 feet
- \***Protection**  
 Input: Protection against wrong polarity when 24VDC input is inversely connected by mistake  
 Output: Built-in over voltage protection circuit. Trip point of crowbar circuit is between 5.9~7.0V. Hiccup mode against short circuit or over load conditions auto recovery when faulty conditions are removed
- \***Temperature:** 0~+70°C (operating); -40~+75°C (storage)
- \***Connectors:**  
 Input: Three positions terminal block  
 DC Output: Output provides one AT type P8/P9 and two disk drive connector
- \***Dimensions:** 14.0 x 15.0 x 8.62 cm with +/-0.8mm and +/-0.4mm tolerance between mounting holes
- \***MTBF:** 116,858 hrs.

## SAFETY STANDARDS

- \***Safety:** UL 1950 / CSA 22.2 No.234 / VDE EN60950
- \***EMI:** FCC class B / EN55022B
- \***EMS:** Level 3 of IEC-801, 802, 803, 804

| PIN    | Output |
|--------|--------|
| Red    | +5V    |
| Yellow | +12V   |
| Brown  | -12V   |
| Grey   | P.G.   |
| Black  | GND    |
| White  | -5V    |
| Orange | +3.3V  |
| Purple | +5Vsb  |
| Green  | PWR ON |

| PIN | Input |
|-----|-------|
| 1   | 24VDC |
| 2   | 0V    |
| 3   | GND   |

| Output Voltage | Min. Load | Rated Load | Max. Load | Tolerance |
|----------------|-----------|------------|-----------|-----------|
| +5V            | 2A        | 25A        | 30A       | +/-0.2V   |
| +12V           | 0.1A      | 10A        | 15A       | +/-0.6V   |
| -12V           | 0A        | 1A         | 2A        | +/-0.6V   |
| -5V            | 0A        | 1A         | 2A        | +/-0.25V  |
| +3.3V          | 0A        | 8A         | 15A       | +/-0.135V |
| +5Vsb          | 0A        | 0.72A      | 1.2A      | +/-0.25V  |