

# DATA SHEET

## **XA-G3**

**XA 16-bit microcontroller family**

**32K/512 OTP/ROM/ROMless, watchdog, 2 UARTs**

Product specification  
Supersedes data of 1998 Aug 14  
IC25 Data Handbook

1999 Apr 07

# XA 16-bit microcontroller family

## 32K/512 OTP/ROM/ROMless, watchdog, 2 UARTs

# XA-G3

### FAMILY DESCRIPTION

The Philips Semiconductors XA (eXtended Architecture) family of 16-bit single-chip microcontrollers is powerful enough to easily handle the requirements of high performance embedded applications, yet inexpensive enough to compete in the market for high-volume, low-cost applications.

The XA family provides an upward compatibility path for 80C51 users who need higher performance and 64k or more of program memory. Existing 80C51 code can also easily be translated to run on XA microcontrollers.

The performance of the XA architecture supports the comprehensive bit-oriented operations of the 80C51 while incorporating support for multi-tasking operating systems and high-level languages such as C. The speed of the XA architecture, at 10 to 100 times that of the 80C51, gives designers an easy path to truly high performance embedded control.

The XA architecture supports:

- Upward compatibility with the 80C51 architecture
- 16-bit fully static CPU with a 24-bit program and data address range
- Eight 16-bit CPU registers each capable of performing all arithmetic and logic operations as well as acting as memory pointers. Operations may also be performed directly to memory.
- Both 8-bit and 16-bit CPU registers, each capable of performing all arithmetic and logic operations.
- An enhanced instruction set that includes bit intensive logic operations and fast signed or unsigned 16 × 16 multiply and 32 / 16 divide

- Instruction set tailored for high level language support
- Multi-tasking and real-time executives that include up to 32 vectored interrupts, 16 software traps, segmented data memory, and banked registers to support context switching
- Low power operation, which is intrinsic to the XA architecture, includes power-down and idle modes.

More detailed information on the core is available in the XA User Guide.

### SPECIFIC FEATURES OF THE XA-G3

- 20-bit address range, 1 megabyte each program and data space. (Note that the XA architecture supports up to 24 bit addresses.)
- 2.7V to 5.5V operation
- 32K bytes on-chip EPROM/ROM program memory = XA-G37/XA-G33
- 512 bytes of on-chip data RAM
- Three counter/timers with enhanced features (equivalent to 80C51 T0, T1, and T2)
- Watchdog timer
- Two enhanced UARTs
- Four 8-bit I/O ports with 4 programmable output configurations
- 44-pin PLCC and 44-pin LQFP packages

### ORDERING INFORMATION

| ROMless       | ROM           | EPROM <sup>1</sup> |     | TEMPERATURE RANGE °C AND PACKAGE               | FREQ (MHz) | DRAWING NUMBER |
|---------------|---------------|--------------------|-----|--|------------|----------------|
| P51XAG30KB BD | P51XAG33KB BD | PXAG37KB BD        | OTP | 0 to +70, Plastic Low Profile Quad Flat Pkg.   | 30         | SOT389-1       |
| P51XAG30KB A  | P51XAG33KB A  | PXAG37KB A         | OTP | 0 to +70, Plastic Leaded Chip Carrier          | 30         | SOT187-2       |
| P51XAG30KF BD | P51XAG33KF BD | PXAG37KF BD        | OTP | -40 to +85, Plastic Low Profile Quad Flat Pkg. | 30         | SOT389-1       |
| P51XAG30KF A  | P51XAG33KF A  | PXAG37KF A         | OTP | -40 to +85, Plastic Leaded Chip Carrier        | 30         | SOT187-2       |

#### NOTE:

1. OTP = One Time Programmable EPROM. UV = Erasable EPROM.

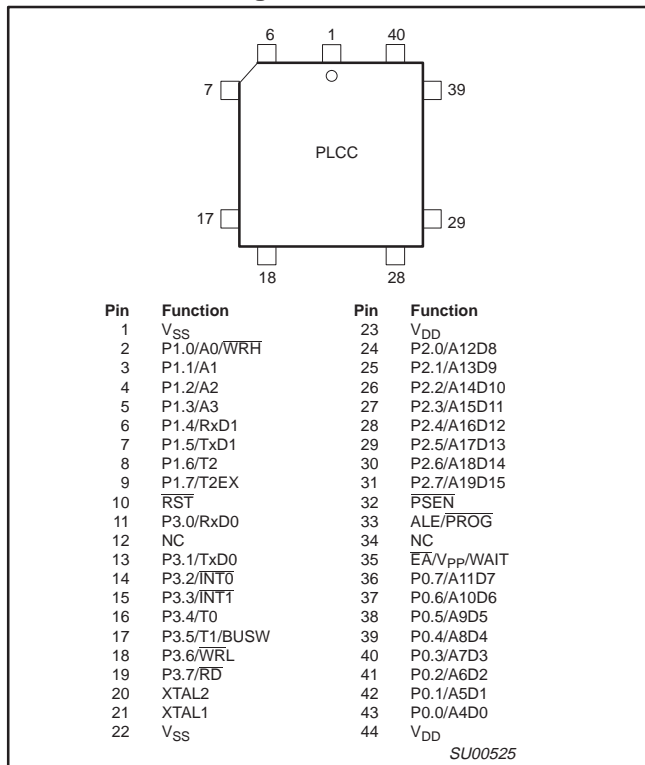
# XA 16-bit microcontroller family

## 32K/512 OTP/ROM/ROMless, watchdog, 2 UARTs

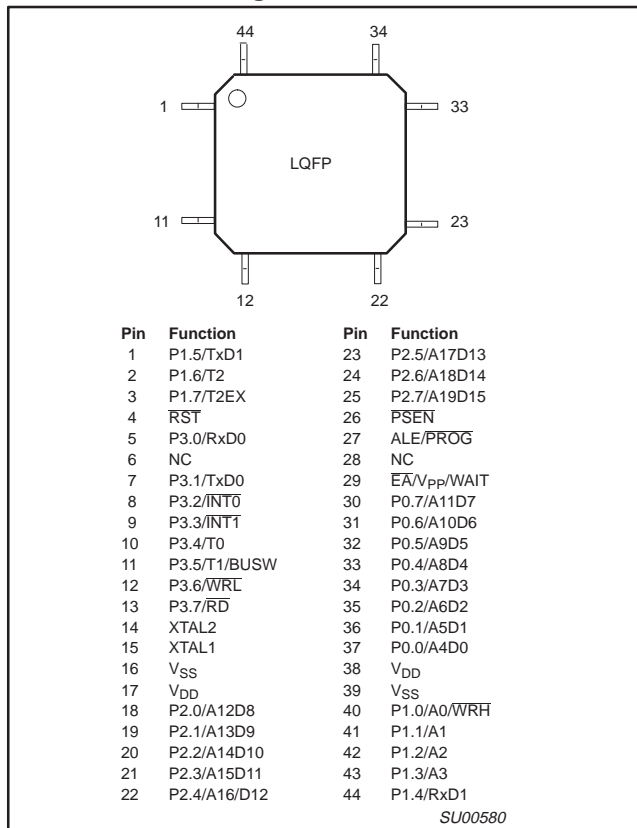
XA-G3

### PIN CONFIGURATIONS

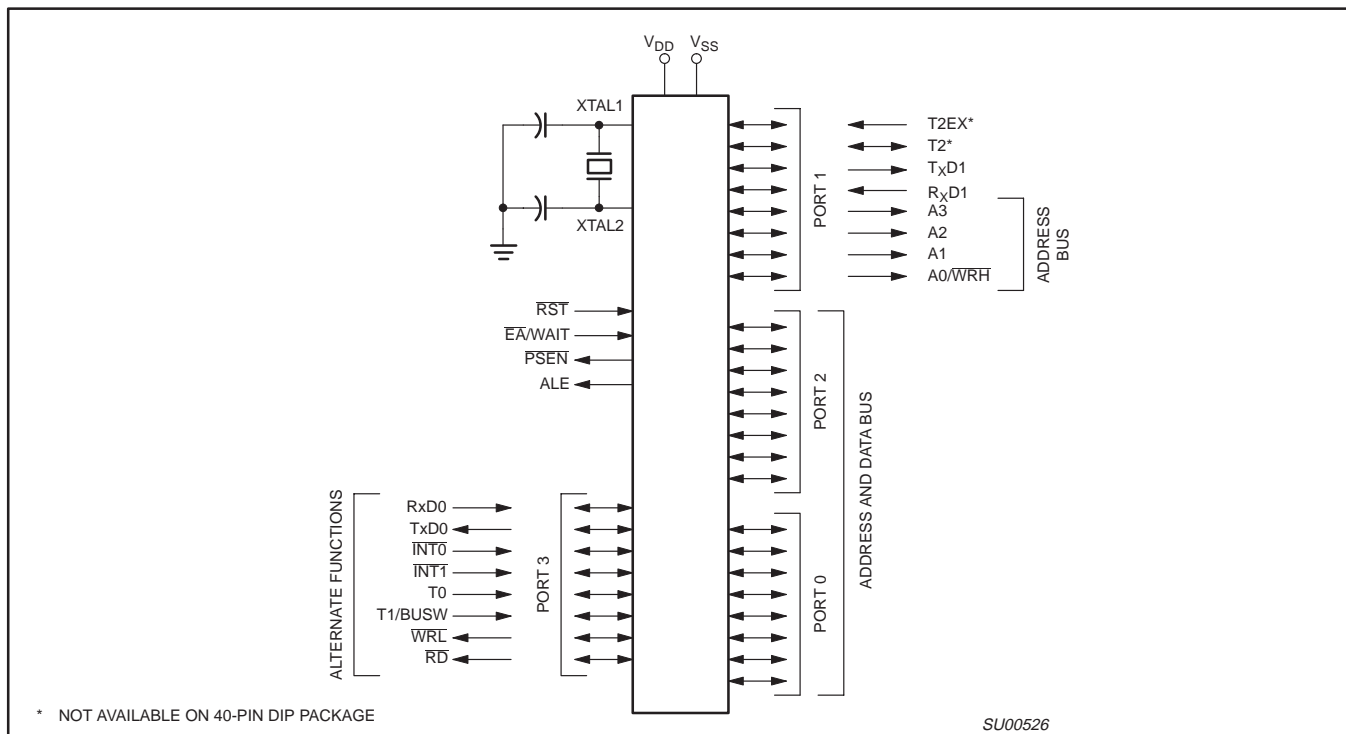
#### 44-Pin PLCC Package



#### 44-Pin LQFP Package



### LOGIC SYMBOL

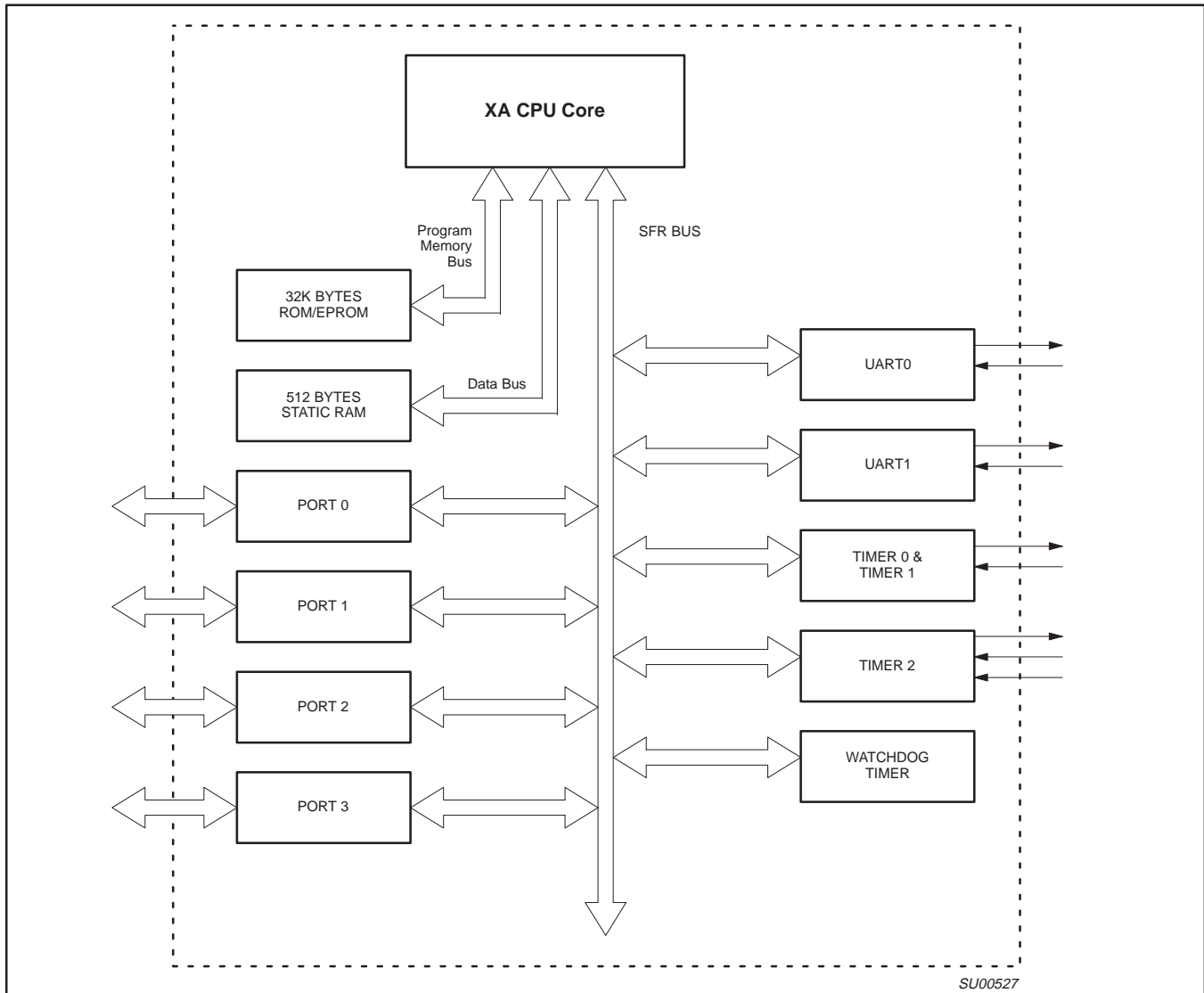


# XA 16-bit microcontroller family

32K/512 OTP/ROM/ROMless, watchdog, 2 UARTs

XA-G3

## BLOCK DIAGRAM



# XA 16-bit microcontroller family

## 32K/512 OTP/ROM/ROMless, watchdog, 2 UARTs

XA-G3

### PIN DESCRIPTIONS

| MNEMONIC        | PIN. NO.     |               | TYPE | NAME AND FUNCTION  |
|-----------------|--------------|---------------|------|--|
|                 | PLCC         | LQFP          |      |  |
| V <sub>SS</sub> | 1, 22        | 16            | I    | <b>Ground:</b> 0V reference.   |
| V <sub>DD</sub> | 23, 44       | 17            | I    | <b>Power Supply:</b> This is the power supply voltage for normal, idle, and power down operation.  |
| P0.0 – P0.7     | 43–36        | 37–30         | I/O  | <p><b>Port 0:</b> Port 0 is an 8-bit I/O port with a user-configurable output type. Port 0 latches have 1s written to them and are configured in the quasi-bidirectional mode during reset. The operation of port 0 pins as inputs and outputs depends upon the port configuration selected. Each port pin is configured independently. Refer to the section on I/O port configuration and the DC Electrical Characteristics for details.</p> <p>When the external program/data bus is used, Port 0 becomes the multiplexed low data/instruction byte and address lines 4 through 11.</p>  |
| P1.0 – P1.7     | 2–9          | 40–44,<br>1–3 | I/O  | <p><b>Port 1:</b> Port 1 is an 8-bit I/O port with a user-configurable output type. Port 1 latches have 1s written to them and are configured in the quasi-bidirectional mode during reset. The operation of port 1 pins as inputs and outputs depends upon the port configuration selected. Each port pin is configured independently. Refer to the section on I/O port configuration and the DC Electrical Characteristics for details.</p> <p>Port 1 also provides special functions as described below.</p> <p><b>A0/WRH:</b> Address bit 0 of the external address bus when the external data bus is configured for an 8 bit width. When the external data bus is configured for a 16 bit width, this pin becomes the high byte write strobe.</p> <p><b>A1:</b> Address bit 1 of the external address bus.</p> <p><b>A2:</b> Address bit 2 of the external address bus.</p> <p><b>A3:</b> Address bit 3 of the external address bus.</p> <p><b>RxD1 (P1.4):</b> Receiver input for serial port 1.</p> <p><b>TxD1 (P1.5):</b> Transmitter output for serial port 1.</p> <p><b>T2 (P1.6):</b> Timer/counter 2 external count input/clockout.</p> <p><b>T2EX (P1.7):</b> Timer/counter 2 reload/capture/direction control</p>        |
| P2.0 – P2.7     | 24–31        | 18–25         | I/O  | <p><b>Port 2:</b> Port 2 is an 8-bit I/O port with a user-configurable output type. Port 2 latches have 1s written to them and are configured in the quasi-bidirectional mode during reset. The operation of port 2 pins as inputs and outputs depends upon the port configuration selected. Each port pin is configured independently. Refer to the section on I/O port configuration and the DC Electrical Characteristics for details.</p> <p>When the external program/data bus is used in 16-bit mode, Port 2 becomes the multiplexed high data/instruction byte and address lines 12 through 19. When the external program/data bus is used in 8-bit mode, the number of address lines that appear on port 2 is user programmable.</p>   |
| P3.0 – P3.7     | 11,<br>13–19 | 5,<br>7–13    | I/O  | <p><b>Port 3:</b> Port 3 is an 8-bit I/O port with a user configurable output type. Port 3 latches have 1s written to them and are configured in the quasi-bidirectional mode during reset. The operation of port 3 pins as inputs and outputs depends upon the port configuration selected. Each port pin is configured independently. Refer to the section on I/O port configuration and the DC Electrical Characteristics for details.</p> <p>Port 3 also provides various special functions as described below.</p> <p><b>RxD0 (P3.0):</b> Receiver input for serial port 0.</p> <p><b>TxD0 (P3.1):</b> Transmitter output for serial port 0.</p> <p><b>INT0 (P3.2):</b> External interrupt 0 input.</p> <p><b>INT1 (P3.3):</b> External interrupt 1 input.</p> <p><b>T0 (P3.4):</b> Timer 0 external input, or timer 0 overflow output.</p> <p><b>T1/BUSW (P3.5):</b> Timer 1 external input, or timer 1 overflow output. The value on this pin is latched as the external reset input is released and defines the default external data bus width (BUSW). 0 = 8-bit bus and 1 = 16-bit bus.</p> <p><b>WRL (P3.6):</b> External data memory low byte write strobe.</p> <p><b>RD (P3.7):</b> External data memory read strobe.</p> |
| RST             | 10           | 4             | I    | <b>Reset:</b> A low on this pin resets the microcontroller, causing I/O ports and peripherals to take on their default states, and the processor to begin execution at the address contained in the reset vector. Refer to the section on Reset for details.   |
| ALE/PROG        | 33           | 27            | I/O  | <b>Address Latch Enable/Program Pulse:</b> A high output on the ALE pin signals external circuitry to latch the address portion of the multiplexed address/data bus. A pulse on ALE occurs only when it is needed in order to process a bus cycle.   |

**XA 16-bit microcontroller family**  
**32K/512 OTP/ROM/ROMless, watchdog, 2 UARTs**

**XA-G3**

| MNEMONIC                              | PIN. NO. |      | TYPE | NAME AND FUNCTION   |
|---------------------------------------|----------|------|------|---|
|                                       | PLCC     | LQFP |      |   |
| PSEN                                  | 32       | 26   | O    | <b>Program Store Enable:</b> The read strobe for external program memory. When the microcontroller accesses external program memory, PSEN is driven low in order to enable memory devices. PSEN is only active when external code accesses are performed.   |
| E $\bar{A}$ /WAIT/<br>V <sub>PP</sub> | 35       | 29   | I    | <b>External Access/Wait:</b> The E $\bar{A}$ input determines whether the internal program memory of the microcontroller is used for code execution. The value on the E $\bar{A}$ pin is latched as the external reset input is released and applies during later execution. When latched as a 0, external program memory is used exclusively, when latched as a 1, internal program memory will be used up to its limit, and external program memory used above that point. After reset is released, this pin takes on the function of bus Wait input. If Wait is asserted high during any external bus access, that cycle will be extended until Wait is released. During EPROM programming, this pin is also the programming supply voltage input. |
| XTAL1                                 | 21       | 15   | I    | <b>Crystal 1:</b> Input to the inverting amplifier used in the oscillator circuit and input to the internal clock generator circuits.   |
| XTAL2                                 | 20       | 14   | O    | <b>Crystal 2:</b> Output from the oscillator amplifier.   |

**SPECIAL FUNCTION REGISTERS**

| NAME | DESCRIPTION                   | SFR ADDRESS | BIT FUNCTIONS AND ADDRESSES |      |      |       |      |      |      |      | RESET VALUE |
|------|-------------------------------|-------------|-----------------------------|------|------|-------|------|------|------|------|-------------|
|      |                               |             | MSB                         |      |      |       | LSB  |      |      |      |             |
| BCR  | Bus configuration register    | 46A         | —                           | —    | —    | WAITD | BUSD | BC2  | BC1  | BC0  | Note 1      |
| BTRH | Bus timing register high byte | 469         | DW1                         | DW0  | DWA1 | DWA0  | DR1  | DR0  | DRA1 | DRA0 | FF          |
| BTRL | Bus timing register low byte  | 468         | WM1                         | WM0  | ALEW | —     | CR1  | CR0  | CRA1 | CRA0 | EF          |
| CS   | Code segment                  | 443         |                             |      |      |       |      |      |      |      | 00          |
| DS   | Data segment                  | 441         |                             |      |      |       |      |      |      |      | 00          |
| ES   | Extra segment                 | 442         |                             |      |      |       |      |      |      |      | 00          |
|      |                               |             | 33F                         | 33E  | 33D  | 33C   | 33B  | 33A  | 339  | 338  |             |
| IEH* | Interrupt enable high byte    | 427         | —                           | —    | —    | —     | ET11 | ERI1 | ETI0 | ERI0 | 00          |
|      |                               |             | 337                         | 336  | 335  | 334   | 333  | 332  | 331  | 330  |             |
| IEL* | Interrupt enable low byte     | 426         | EA                          | —    | —    | ET2   | ET1  | EX1  | ET0  | EX0  | 00          |
|      |                               |             |                             |      |      |       |      |      |      |      |             |
| IPA0 | Interrupt priority 0          | 4A0         | —                           | PT0  |      |       | —    | PX0  |      |      | 00          |
| IPA1 | Interrupt priority 1          | 4A1         | —                           | PT1  |      |       | —    | PX1  |      |      | 00          |
| IPA2 | Interrupt priority 2          | 4A2         | —                           | —    |      |       | —    | PT2  |      |      | 00          |
| IPA4 | Interrupt priority 4          | 4A4         | —                           | PTI0 |      |       | —    | PRI0 |      |      | 00          |
| IPA5 | Interrupt priority 5          | 4A5         | —                           | PTI1 |      |       | —    | PRI1 |      |      | 00          |
|      |                               |             | 387                         | 386  | 385  | 384   | 383  | 382  | 381  | 380  |             |
| P0*  | Port 0                        | 430         | AD7                         | AD6  | AD5  | AD4   | AD3  | AD2  | AD1  | AD0  | FF          |
|      |                               |             | 38F                         | 38E  | 38D  | 38C   | 38B  | 38A  | 389  | 388  |             |
| P1*  | Port 1                        | 431         | T2EX                        | T2   | TxD1 | RxD1  | A3   | A2   | A1   | WRH  | FF          |
|      |                               |             | 397                         | 396  | 395  | 394   | 393  | 392  | 391  | 390  |             |
| P2*  | Port 2                        | 432         | P2.7                        | P2.6 | P2.5 | P2.4  | P2.3 | P2.2 | P2.1 | P2.0 | FF          |

**XA 16-bit microcontroller family**  
**32K/512 OTP/ROM/ROMless, watchdog, 2 UARTs**

**XA-G3**

| NAME    | DESCRIPTION                           | SFR ADDRESS | BIT FUNCTIONS AND ADDRESSES |       |       |       |       |       |       |        | RESET VALUE |
|---------|---------------------------------------|-------------|-----------------------------|-------|-------|-------|-------|-------|-------|--------|-------------|
|         |                                       |             | MSB                         |       |       |       | LSB   |       |       |        |             |
| P3*     | Port 3                                | 433         | 39F                         | 39E   | 39D   | 39C   | 39B   | 39A   | 399   | 398    | FF          |
|         |                                       |             | RD                          | WR    | T1    | T0    | INT1  | INT0  | TxD0  | RxD0   |             |
| P0CFGA  | Port 0 configuration A                | 470         |                             |       |       |       |       |       |       | Note 5 |             |
| P1CFGA  | Port 1 configuration A                | 471         |                             |       |       |       |       |       |       | Note 5 |             |
| P2CFGA  | Port 2 configuration A                | 472         |                             |       |       |       |       |       |       | Note 5 |             |
| P3CFGA  | Port 3 configuration A                | 473         |                             |       |       |       |       |       |       | Note 5 |             |
| P0CFGB  | Port 0 configuration B                | 4F0         |                             |       |       |       |       |       |       | Note 5 |             |
| P1CFGB  | Port 1 configuration B                | 4F1         |                             |       |       |       |       |       |       | Note 5 |             |
| P2CFGB  | Port 2 configuration B                | 4F2         |                             |       |       |       |       |       |       | Note 5 |             |
| P3CFGB  | Port 3 configuration B                | 4F3         |                             |       |       |       |       |       |       | Note 5 |             |
| PCON*   | Power control register                | 404         | 227                         | 226   | 225   | 224   | 223   | 222   | 221   | 220    | 00          |
|         |                                       |             | —                           | —     | —     | —     | —     | —     | PD    | IDL    |             |
| PSWH*   | Program status word (high byte)       | 401         | 20F                         | 20E   | 20D   | 20C   | 20B   | 20A   | 209   | 208    | Note 2      |
|         |                                       |             | SM                          | TM    | RS1   | RS0   | IM3   | IM2   | IM1   | IM0    |             |
| PSWL*   | Program status word (low byte)        | 400         | 207                         | 206   | 205   | 204   | 203   | 202   | 201   | 200    | Note 2      |
|         |                                       |             | C                           | AC    | —     | —     | —     | V     | N     | Z      |             |
| PSW51*  | 80C51 compatible PSW                  | 402         | 217                         | 216   | 215   | 214   | 213   | 212   | 211   | 210    | Note 3      |
|         |                                       |             | C                           | AC    | F0    | RS1   | RS0   | V     | F1    | P      |             |
| RTH0    | Timer 0 extended reload, high byte    | 455         |                             |       |       |       |       |       |       |        | 00          |
| RTH1    | Timer 1 extended reload, high byte    | 457         |                             |       |       |       |       |       |       |        | 00          |
| RTL0    | Timer 0 extended reload, low byte     | 454         |                             |       |       |       |       |       |       |        | 00          |
| RTL1    | Timer 1 extended reload, low byte     | 456         |                             |       |       |       |       |       |       |        | 00          |
| S0CON*  | Serial port 0 control register        | 420         | 307                         | 306   | 305   | 304   | 303   | 302   | 301   | 300    | 00          |
|         |                                       |             | SM0_0                       | SM1_0 | SM2_0 | REN_0 | TB8_0 | RB8_0 | TI_0  | RI_0   |             |
| S0STAT* | Serial port 0 extended status         | 421         | 30F                         | 30E   | 30D   | 30C   | 30B   | 30A   | 309   | 308    | 00          |
|         |                                       |             | —                           | —     | —     | —     | FE0   | BR0   | OE0   | STINT0 |             |
| S0BUF   | Serial port 0 buffer register         | 460         |                             |       |       |       |       |       |       |        | x           |
| S0ADDR  | Serial port 0 address register        | 461         |                             |       |       |       |       |       |       |        | 00          |
| S0ADEN  | Serial port 0 address enable register | 462         |                             |       |       |       |       |       |       |        | 00          |
| S1CON*  | Serial port 1 control register        | 424         | 327                         | 326   | 325   | 324   | 323   | 322   | 321   | 320    | 00          |
|         |                                       |             | SM0_1                       | SM1_1 | SM2_1 | REN_1 | TB8_1 | RB8_1 | TI_1  | RI_1   |             |
| S1STAT* | Serial port 1 extended status         | 425         | 32F                         | 32E   | 32D   | 32C   | 32B   | 32A   | 329   | 328    | 00          |
|         |                                       |             | —                           | —     | —     | —     | FE1   | BR1   | OE1   | STINT1 |             |
| S1BUF   | Serial port 1 buffer register         | 464         |                             |       |       |       |       |       |       |        | x           |
| S1ADDR  | Serial port 1 address register        | 465         |                             |       |       |       |       |       |       |        | 00          |
| S1ADEN  | Serial port 1 address enable register | 466         |                             |       |       |       |       |       |       |        | 00          |
| SCR     | System configuration register         | 440         | —                           | —     | —     | —     | PT1   | PT0   | CM    | PZ     | 00          |
|         |                                       |             | 21F                         | 21E   | 21D   | 21C   | 21B   | 21A   | 219   | 218    |             |
| SSEL*   | Segment selection register            | 403         | ESWEN                       | R6SEG | R5SEG | R4SEG | R3SEG | R2SEG | R1SEG | R0SEG  | 00          |
| SWE     | Software Interrupt Enable             | 47A         | —                           | SWE7  | SWE6  | SWE5  | SWE4  | SWE3  | SWE2  | SWE1   | 00          |

**XA 16-bit microcontroller family**  
**32K/512 OTP/ROM/ROMless, watchdog, 2 UARTs**

**XA-G3**

| NAME   | DESCRIPTION                         | SFR ADDRESS | BIT FUNCTIONS AND ADDRESSES |      |       |       |       |       |       |        | RESET VALUE |
|--------|-------------------------------------|-------------|-----------------------------|------|-------|-------|-------|-------|-------|--------|-------------|
|        |                                     |             | MSB                         |      |       |       | LSB   |       |       |        |             |
| SWR*   | Software Interrupt Request          | 42A         | 357                         | 356  | 355   | 354   | 353   | 352   | 351   | 350    | 00          |
|        |                                     |             | —                           | SWR7 | SWR6  | SWR5  | SWR4  | SWR3  | SWR2  | SWR1   |             |
|        |                                     |             | 2C7                         | 2C6  | 2C5   | 2C4   | 2C3   | 2C2   | 2C1   | 2C0    |             |
| T2CON* | Timer 2 control register            | 418         | TF2                         | EXF2 | RCLK0 | TCLK0 | EXEN2 | TR2   | C/T2  | CP/RL2 | 00          |
|        |                                     |             | 2CF                         | 2CE  | 2CD   | 2CC   | 2CB   | 2CA   | 2C9   | 2C8    |             |
|        |                                     |             | —                           | —    | RCLK1 | TCLK1 | —     | —     | T2OE  | DCEN   |             |
| T2MOD* | Timer 2 mode control                | 419         | —                           | —    | RCLK1 | TCLK1 | —     | —     | T2OE  | DCEN   | 00          |
| TH2    | Timer 2 high byte                   | 459         |                             |      |       |       |       |       |       |        | 00          |
| TL2    | Timer 2 low byte                    | 458         |                             |      |       |       |       |       |       |        | 00          |
| T2CAPH | Timer 2 capture register, high byte | 45B         |                             |      |       |       |       |       |       |        | 00          |
| T2CAPL | Timer 2 capture register, low byte  | 45A         |                             |      |       |       |       |       |       |        | 00          |
| TCON*  | Timer 0 and 1 control register      | 410         | 287                         | 286  | 285   | 284   | 283   | 282   | 281   | 280    | 00          |
|        |                                     |             | TF1                         | TR1  | TF0   | TR0   | IE1   | IT1   | IE0   | IT0    |             |
|        |                                     |             |                             |      |       |       |       |       |       |        |             |
| TH0    | Timer 0 high byte                   | 451         |                             |      |       |       |       |       |       |        | 00          |
| TH1    | Timer 1 high byte                   | 453         |                             |      |       |       |       |       |       |        | 00          |
| TL0    | Timer 0 low byte                    | 450         |                             |      |       |       |       |       |       |        | 00          |
| TL1    | Timer 1 low byte                    | 452         |                             |      |       |       |       |       |       |        | 00          |
| TMOD   | Timer 0 and 1 mode control          | 45C         | GATE                        | C/T  | M1    | M0    | GATE  | C/T   | M1    | M0     | 00          |
|        |                                     |             | 28F                         | 28E  | 28D   | 28C   | 28B   | 28A   | 289   | 288    |             |
|        |                                     |             |                             |      |       |       |       |       |       |        |             |
| TSTAT* | Timer 0 and 1 extended status       | 411         | —                           | —    | —     | —     | —     | T1OE  | —     | T0OE   | 00          |
|        |                                     |             | 2FF                         | 2FE  | 2FD   | 2FC   | 2FB   | 2FA   | 2F9   | 2F8    |             |
|        |                                     |             |                             |      |       |       |       |       |       |        |             |
| WDCON* | Watchdog control register           | 41F         | PRE2                        | PRE1 | PRE0  | —     | —     | WDRUN | WDTOF | —      | Note 6      |
| WDL    | Watchdog timer reload               | 45F         |                             |      |       |       |       |       |       |        | 00          |
| WFEED1 | Watchdog feed 1                     | 45D         |                             |      |       |       |       |       |       |        | x           |
| WFEED2 | Watchdog feed 2                     | 45E         |                             |      |       |       |       |       |       |        | x           |

**NOTES:**

- \* SFRs are bit addressable.
- 1. At reset, the BCR register is loaded with the binary value 0000 0a11, where “a” is the value on the BUSW pin. This defaults the address bus size to 20 bits since the XA-G3 has only 20 address lines.
- 2. SFR is loaded from the reset vector.
- 3. All bits except F1, F0, and P are loaded from the reset vector. Those bits are all 0.
- 4. Unimplemented bits in SFRs are X (unknown) at all times. Ones should not be written to these bits since they may be used for other purposes in future XA derivatives. The reset value shown for these bits is 0.
- 5. Port configurations default to quasi-bidirectional when the XA begins execution from internal code memory after reset, based on the condition found on the EA pin. Thus all PnCFG<sub>A</sub> registers will contain FF and PnCFG<sub>B</sub> registers will contain 00. When the XA begins execution using external code memory, the default configuration for pins that are associated with the external bus will be push-pull. The PnCFG<sub>A</sub> and PnCFG<sub>B</sub> register contents will reflect this difference.
- 6. The WDCON reset value is E6 for a Watchdog reset, E4 for all other reset causes.
- 7. The XA-G3 implements an 8-bit SFR bus, as stated in Chapter 8 of the *XA User Guide*. All SFR accesses must be 8-bit operations. Attempts to write 16 bits to an SFR will actually write only the lower 8 bits. Sixteen bit SFR reads will return undefined data in the upper byte.



# XA 16-bit microcontroller family

## 32K/512 OTP/ROM/ROMless, watchdog, 2 UARTs

XA-G3

### XA-G3 TIMER/COUNTERS

The XA has two standard 16-bit enhanced Timer/Counters: Timer 0 and Timer 1. Additionally, it has a third 16-bit Up/Down timer/counter, T2. A central timing generator in the XA core provides the time-base for all XA Timers and Counters. The timer/event counters can perform the following functions:

- Measure time intervals and pulse duration
- Count external events
- Generate interrupt requests
- Generate PWM or timed output waveforms

All of the timer/counters (Timer 0, Timer 1 and Timer 2) can be independently programmed to operate either as timers or event counters via the C/T bit in the TnCON register. All timers count up unless otherwise stated. These timers may be dynamically read during program execution.

The base clock rate of all of the timers is user programmable. This applies to timers T0, T1, and T2 when running in timer mode (as opposed to counter mode), and the watchdog timer. The clock driving the timers is called TCLK and is determined by the setting of two bits (PT1, PT0) in the System Configuration Register (SCR). The frequency of TCLK may be selected to be the oscillator input divided by 4 (Osc/4), the oscillator input divided by 16 (Osc/16), or the oscillator input divided by 64 (Osc/64). This gives a range of possibilities for the XA timer functions, including baud rate

generation, Timer 2 capture. Note that this single rate setting applies to all of the timers.

When timers T0, T1, or T2 are used in the counter mode, the register will increment whenever a falling edge (high to low transition) is detected on the external input pin corresponding to the timer clock. These inputs are sampled once every 2 oscillator cycles, so it can take as many as 4 oscillator cycles to detect a transition. Thus the maximum count rate that can be supported is Osc/4. The duty cycle of the timer clock inputs is not important, but any high or low state on the timer clock input pins must be present for 2 oscillator cycles before it is guaranteed to be "seen" by the timer logic.

### Timer 0 and Timer 1

The "Timer" or "Counter" function is selected by control bits C/T in the special function register TMOD. These two Timer/Counters have four operating modes, which are selected by bit-pairs (M1, M0) in the TMOD register. Timer modes 1, 2, and 3 in XA are kept identical to the 80C51 timer modes for code compatibility. Only the mode 0 is replaced in the XA by a more powerful 16-bit auto-reload mode. This will give the XA timers a much larger range when used as time bases.

The recommended M1, M0 settings for the different modes are shown in Figure 2.

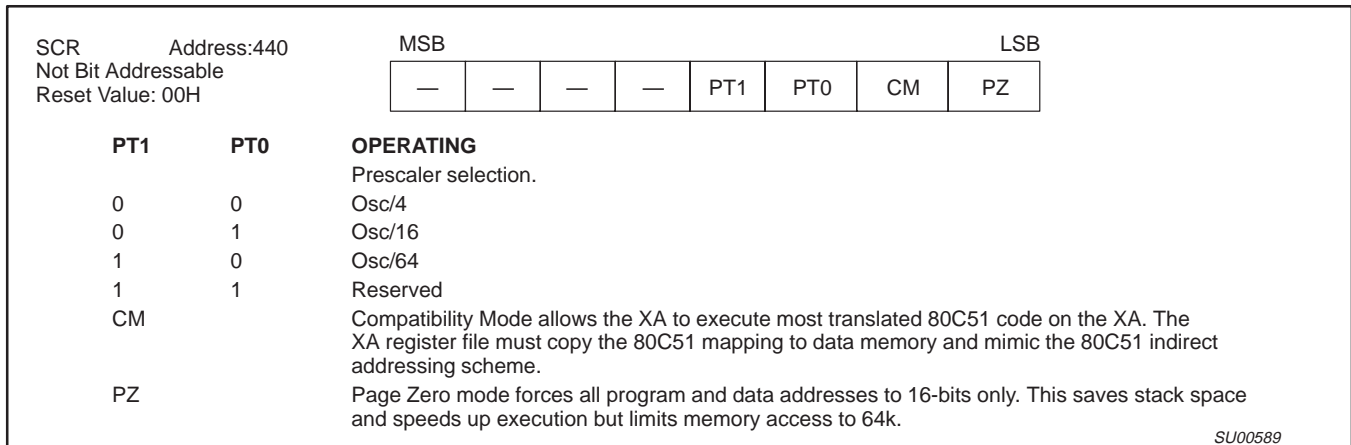


Figure 1. System Configuration Register (SCR)

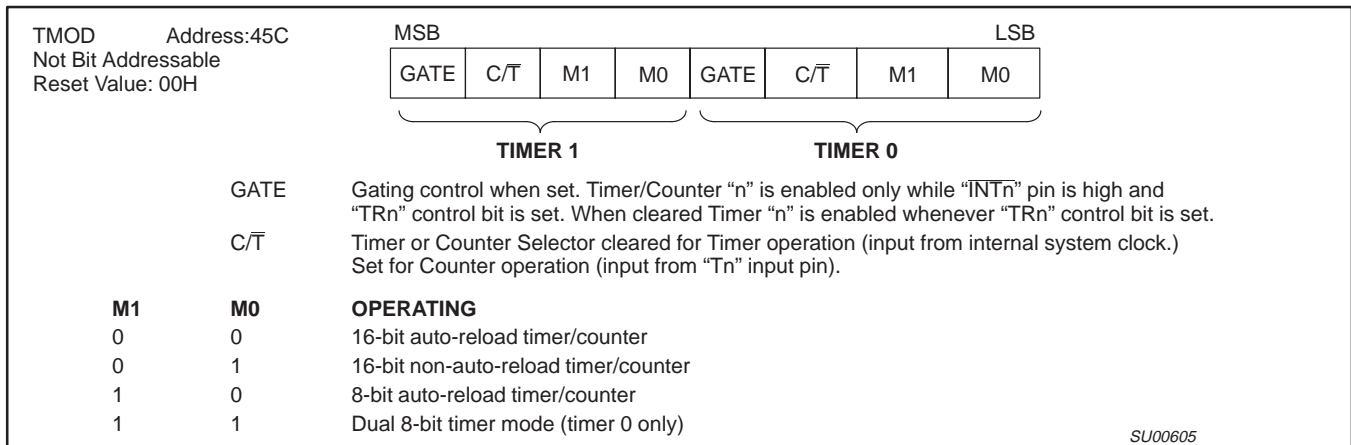


Figure 2. Timer/Counter Mode Control (TMOD) Register

# XA 16-bit microcontroller family

## 32K/512 OTP/ROM/ROMless, watchdog, 2 UARTs

XA-G3

### New Enhanced Mode 0

For timers T0 or T1 the 13-bit count mode on the 80C51 (current Mode 0) has been replaced in the XA with a 16-bit auto-reload mode. Four additional 8-bit data registers (two per timer: RTHn and RTLn) are created to hold the auto-reload values. In this mode, the TH overflow will set the TF flag in the TCON register and cause both the TL and TH counters to be loaded from the RTL and RTH registers respectively.

These new SFRs will also be used to hold the TL reload data in the 8-bit auto-reload mode (Mode 2) instead of TH.

The overflow rate for Timer 0 or Timer 1 in Mode 0 may be calculated as follows:

$$\text{Timer\_Rate} = \text{Osc} / (\text{N} * (65536 - \text{Timer\_Reload\_Value}))$$

where N = the TCLK prescaler value: 4 (default), 16, or 64.

### Mode 1

Mode 1 is the 16-bit non-auto reload mode.

### Mode 2

Mode 2 configures the Timer register as an 8-bit Counter (TLn) with automatic reload. Overflow from TLn not only sets TFn, but also reloads TLn with the contents of RTLn, which is preset by software. The reload leaves THn unchanged.

Mode 2 operation is the same for Timer/Counter 0.

The overflow rate for Timer 0 or Timer 1 in Mode 2 may be calculated as follows:

$$\text{Timer\_Rate} = \text{Osc} / (\text{N} * (256 - \text{Timer\_Reload\_Value}))$$

where N = the TCLK prescaler value: 4, 16, or 64.

### Mode 3

Timer 1 in Mode 3 simply holds its count. The effect is the same as setting TR1 = 0.

Timer 0 in Mode 3 establishes TL0 and TH0 as two separate counters. TL0 uses the Timer 0 control bits: C/T, GATE, TR0, INT0, and TF0. TH0 is locked into a timer function and takes over the use of TR1 and TF1 from Timer 1. Thus, TH0 now controls the "Timer 1" interrupt.

Mode 3 is provided for applications requiring an extra 8-bit timer. When Timer 0 is in Mode 3, Timer 1 can be turned on and off by switching it out of and into its own Mode 3, or can still be used by the serial port as a baud rate generator, or in fact, in any application not requiring an interrupt.

|                  |               |  |     |     |     |     |     |     |     |     |
|------------------|---------------|--|-----|-----|-----|-----|-----|-----|-----|-----|
| TCON             |               | Address:410  | MSB |     |     |     | LSB |     |     |     |
| Bit Addressable  |               |  | TF1 | TR1 | TF0 | TR0 | IE1 | IT1 | IE0 | IT0 |
| Reset Value: 00H |               |  |     |     |     |     |     |     |     |     |
| <b>BIT</b>       | <b>SYMBOL</b> | <b>FUNCTION</b>  |     |     |     |     |     |     |     |     |
| TCON.7           | TF1           | Timer 1 overflow flag. Set by hardware on Timer/Counter overflow. This flag will not be set if T1OE (TSTAT.2) is set. Cleared by hardware when processor vectors to interrupt routine, or by clearing the bit in software. |     |     |     |     |     |     |     |     |
| TCON.6           | TR1           | Timer 1 Run control bit. Set/cleared by software to turn Timer/Counter 1 on/off.   |     |     |     |     |     |     |     |     |
| TCON.5           | TF0           | Timer 0 overflow flag. Set by hardware on Timer/Counter overflow. This flag will not be set if T0OE (TSTAT.0) is set. Cleared by hardware when processor vectors to interrupt routine, or by clearing the bit in software. |     |     |     |     |     |     |     |     |
| TCON.4           | TR0           | Timer 0 Run control bit. Set/cleared by software to turn Timer/Counter 0 on/off.   |     |     |     |     |     |     |     |     |
| TCON.3           | IE1           | Interrupt 1 Edge flag. Set by hardware when external interrupt edge detected. Cleared when interrupt processed.  |     |     |     |     |     |     |     |     |
| TCON.2           | IT1           | Interrupt 1 type control bit. Set/cleared by software to specify falling edge/low level triggered external interrupts.   |     |     |     |     |     |     |     |     |
| TCON.1           | IE0           | Interrupt 0 Edge flag. Set by hardware when external interrupt edge detected. Cleared when interrupt processed.  |     |     |     |     |     |     |     |     |
| TCON.0           | IT0           | Interrupt 0 Type control bit. Set/cleared by software to specify falling edge/low level triggered external interrupts.   |     |     |     |     |     |     |     |     |

SU00604C

Figure 3. Timer/Counter Control (TCON) Register

# XA 16-bit microcontroller family

## 32K/512 OTP/ROM/ROMless, watchdog, 2 UARTs

XA-G3

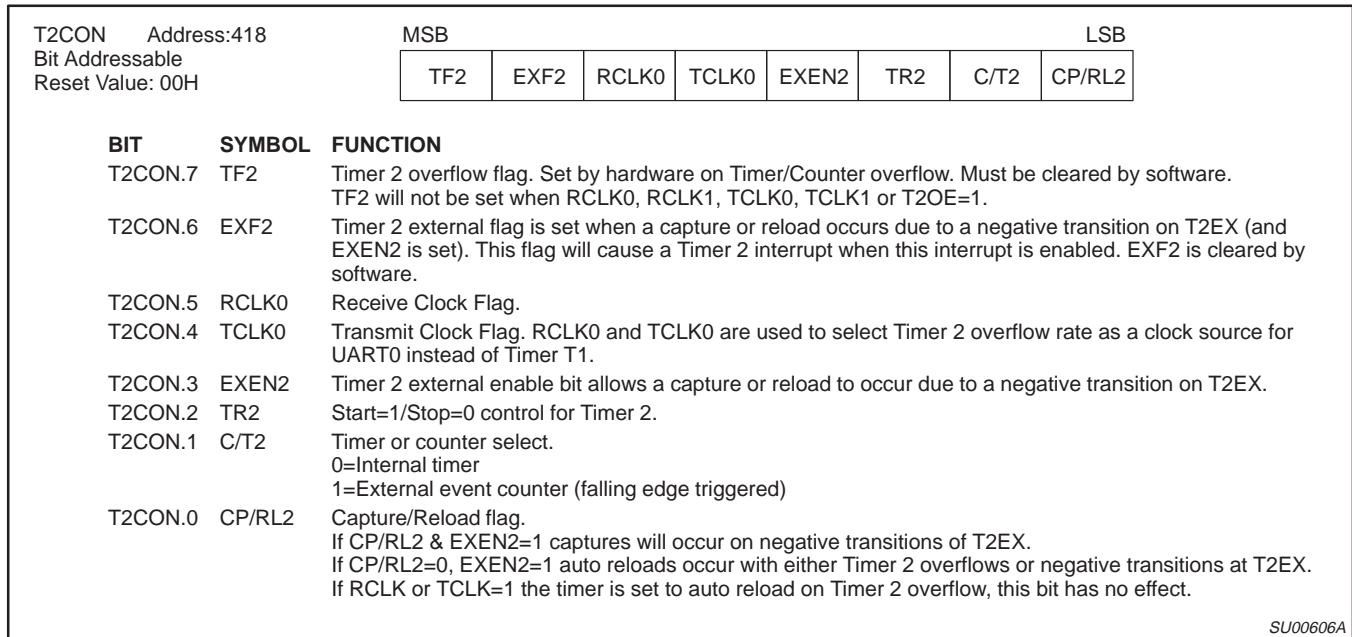


Figure 4. Timer/Counter 2 Control (T2CON) Register

### New Timer-Overflow Toggle Output

In the XA, the timer module now has two outputs, which toggle on overflow from the individual timers. The same device pins that are used for the T0 and T1 count inputs are also used for the new overflow outputs. An SFR bit (TnOE in the TSTAT register) is associated with each counter and indicates whether Port-SFR data or the overflow signal is output to the pin. These outputs could be used in applications for generating variable duty cycle PWM outputs (changing the auto-reload register values). Also variable frequency (Osc/8 to Osc/8,388,608) outputs could be achieved by adjusting the prescaler along with the auto-reload register values. With a 30.0MHz oscillator, this range would be 3.58Hz to 3.75MHz.

### Timer T2

Timer 2 in the XA is a 16-bit Timer/Counter which can operate as either a timer or as an event counter. This is selected by C/T2 in the special function register T2CON. Upon timer T2 overflow/underflow, the TF2 flag is set, which may be used to generate an interrupt. It can be operated in one of three operating modes: auto-reload (up or down counting), capture, or as the baud rate generator (for either or both UARTs via SFRs T2MOD and T2CON). These modes are shown in Table 1.

#### Capture Mode

In the capture mode there are two options which are selected by bit EXEN2 in T2CON. If EXEN2 = 0, then timer 2 is a 16-bit timer or counter, which upon overflowing sets bit TF2, the timer 2 overflow bit. This will cause an interrupt when the timer 2 interrupt is enabled.

If EXEN2 = 1, then Timer 2 still does the above, but with the added feature that a 1-to-0 transition at external input T2EX causes the current value in the Timer 2 registers, TL2 and TH2, to be captured into registers RCAP2L and RCAP2H, respectively. In addition, the transition at T2EX causes bit EXF2 in T2CON to be set. This will cause an interrupt in the same fashion as TF2 when the Timer 2 interrupt is enabled. The capture mode is illustrated in Figure 7.

#### Auto-Reload Mode (Up or Down Counter)

In the auto-reload mode, the timer registers are loaded with the 16-bit value in T2CAPH and T2CAPL when the count overflows. T2CAPH and T2CAPL are initialized by software. If the EXEN2 bit in T2CON is set, the timer registers will also be reloaded and the EXF2 flag set when a 1-to-0 transition occurs at input T2EX. The auto-reload mode is shown in Figure 8.

In this mode, Timer 2 can be configured to count up or down. This is done by setting or clearing the bit DCEN (Down Counter Enable) in the T2MOD special function register (see Table 1). The T2EX pin then controls the count direction. When T2EX is high, the count is in the up direction, when T2EX is low, the count is in the down direction.

Figure 8 shows Timer 2, which will count up automatically, since DCEN = 0. In this mode there are two options selected by bit EXEN2 in the T2CON register. If EXEN2 = 0, then Timer 2 counts up to FFFFH and sets the TF2 (Overflow Flag) bit upon overflow. This causes the Timer 2 registers to be reloaded with the 16-bit value in T2CAPL and T2CAPH, whose values are preset by software. If EXEN2 = 1, a 16-bit reload can be triggered either by an overflow or by a 1-to-0 transition at input T2EX. This transition also sets the EXF2 bit. If enabled, either TF2 or EXF2 bit can generate the Timer 2 interrupt.

In Figure 9, the DCEN = 1; this enables the Timer 2 to count up or down. In this mode, the logic level of T2EX pin controls the direction of count. When a logic '1' is applied at pin T2EX, the Timer 2 will count up. The Timer 2 will overflow at FFFFH and set the TF2 flag, which can then generate an interrupt if enabled. This timer overflow, also causes the 16-bit value in T2CAPL and T2CAPH to be reloaded into the timer registers TL2 and TH2, respectively.

A logic '0' at pin T2EX causes Timer 2 to count down. When counting down, the timer value is compared to the 16-bit value contained in T2CAPH and T2CAPL. When the value is equal, the

# XA 16-bit microcontroller family

## 32K/512 OTP/ROM/ROMless, watchdog, 2 UARTs

XA-G3

timer register is loaded with FFFF hex. The underflow also sets the TF2 flag, which can generate an interrupt if enabled.

The external flag EXF2 toggles when Timer 2 underflows or overflows. This EXF2 bit can be used as a 17th bit of resolution, if needed. the EXF2 flag does not generate an interrupt in this mode. As the baud rate generator, timer T2 is incremented by TCLK.

### Baud Rate Generator Mode

By setting the TCLKn and/or RCLKn in T2CON or T2MOD, the Timer 2 can be chosen as the baud rate generator for either or both UARTs. The baud rates for transmit and receive can be simultaneously different.

### Programmable Clock-Out

A 50% duty cycle clock can be programmed to come out on P1.6. This pin, besides being a regular I/O pin, has two alternate functions. It can be programmed (1) to input the external clock for

Timer/Counter 2 or (2) to output a 50% duty cycle clock ranging from 3.58Hz to 3.75MHz at a 30MHz operating frequency.

To configure the Timer/Counter 2 as a clock generator, bit C/T2 (in T2CON) must be cleared and bit T2OE in T2MOD must be set. Bit TR2 (T2CON.2) also must be set to start the timer.

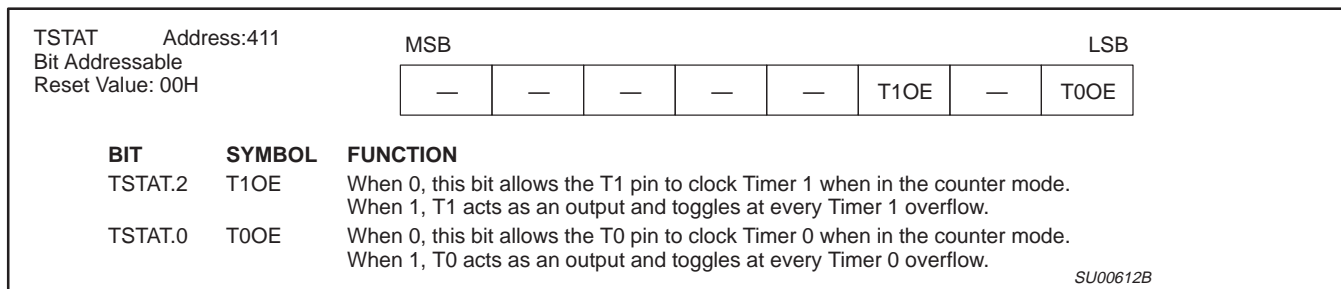
The Clock-Out frequency depends on the oscillator frequency and the reload value of Timer 2 capture registers (TCAP2H, TCAP2L) as shown in this equation:

$$\frac{TCLK}{2 \times (65536 - TCAP2H, TCAP2L)}$$

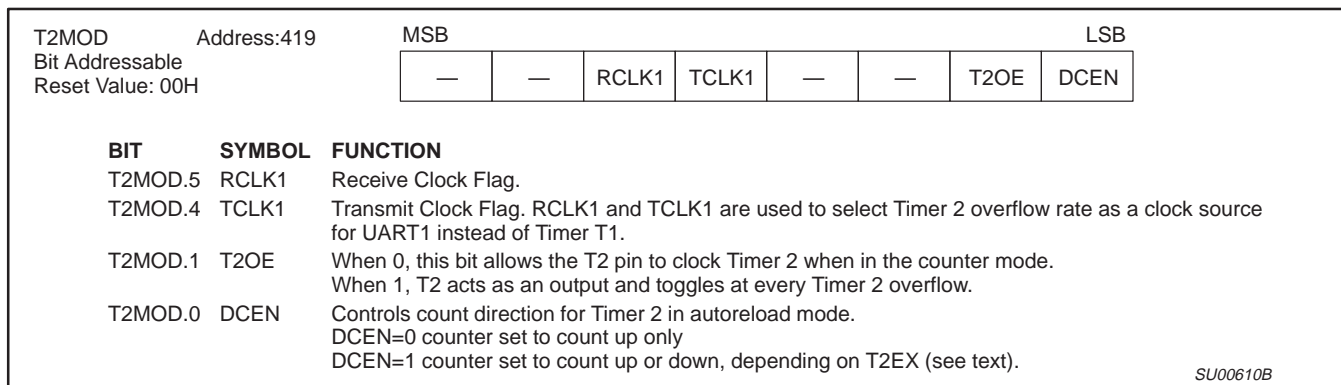
In the Clock-Out mode Timer 2 roll-overs will not generate an interrupt. This is similar to when it is used as a baud-rate generator. It is possible to use Timer 2 as a baud-rate generator and a clock generator simultaneously. Note, however, that the baud-rate will be 1/8 of the Clock-Out frequency.

**Table 1. Timer 2 Operating Modes**

| TR2 | CP/RL2 | RCLK+TCLK | DCEN | MODE  |
|-----|--------|-----------|------|---|
| 0   | X      | X         | X    | Timer off (stopped)   |
| 1   | 0      | 0         | 0    | 16-bit auto-reload, counting up                               |
| 1   | 0      | 0         | 1    | 16-bit auto-reload, counting up or down depending on T2EX pin |
| 1   | 1      | 0         | X    | 16-bit capture  |
| 1   | X      | 1         | X    | Baud rate generator   |



**Figure 5. Timer 0 And 1 Extended Status (TSTAT)**



**Figure 6. Timer 2 Mode Control (T2MOD)**

XA 16-bit microcontroller family  
32K/512 OTP/ROM/ROMless, watchdog, 2 UARTs

XA-G3

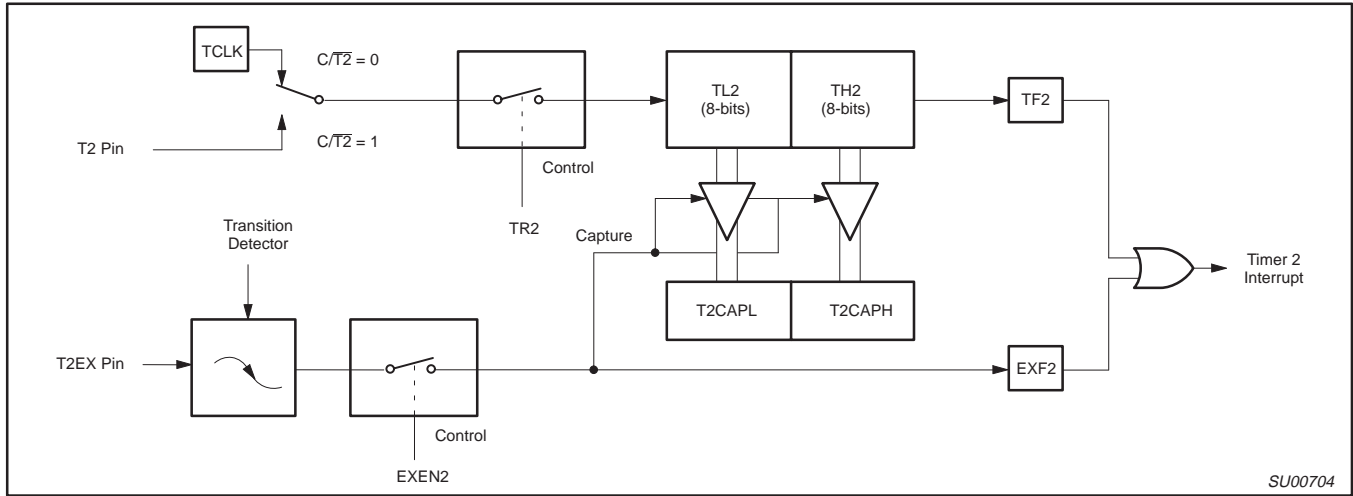


Figure 7. Timer 2 in Capture Mode

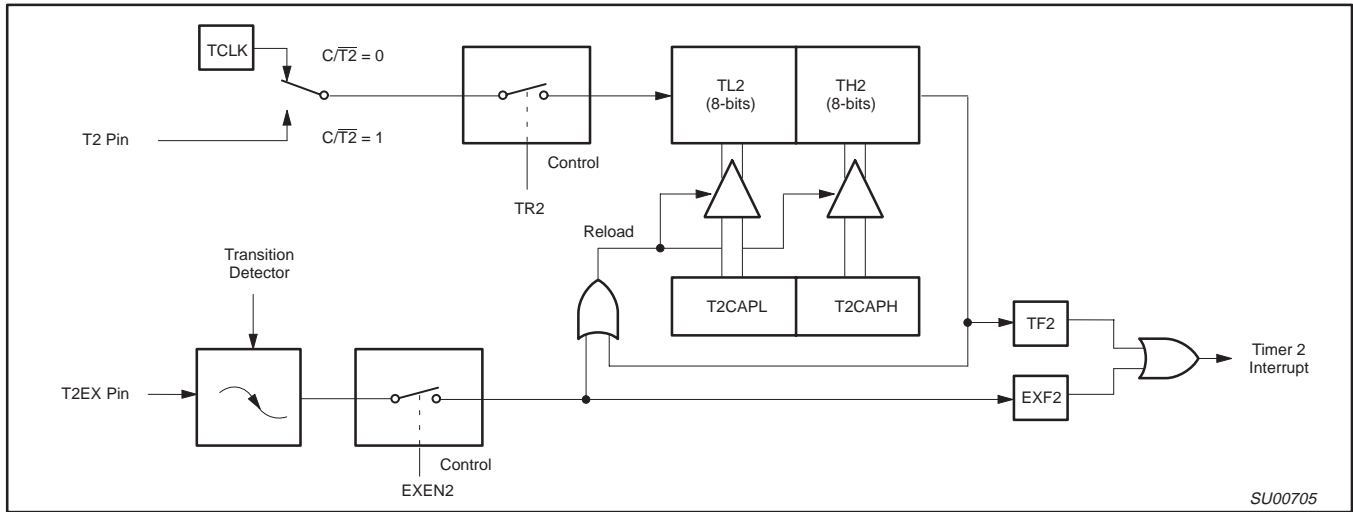


Figure 8. Timer 2 in Auto-Reload Mode (DCEN = 0)

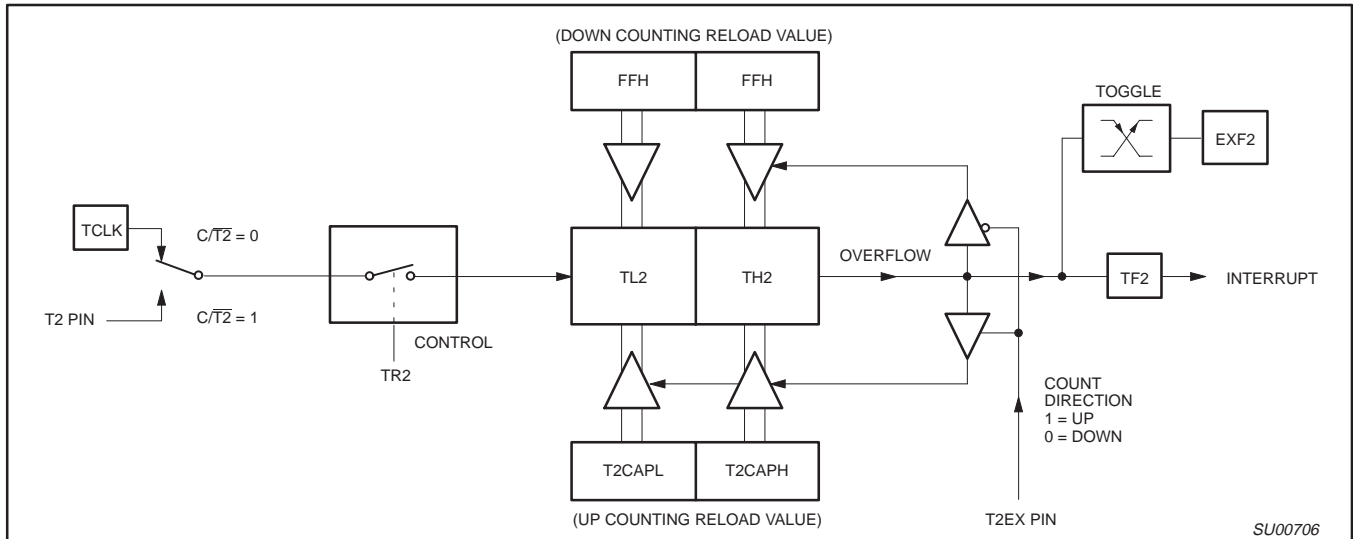


Figure 9. Timer 2 Auto Reload Mode (DCEN = 1)

# XA 16-bit microcontroller family

## 32K/512 OTP/ROM/ROMless, watchdog, 2 UARTs

XA-G3

### WATCHDOG TIMER

The watchdog timer subsystem protects the system from incorrect code execution by causing a system reset when the watchdog timer underflows as a result of a failure of software to feed the timer prior to the timer reaching its terminal count. It is important to note that the watchdog timer is running after any type of reset and must be turned off by user software if the application does not use the watchdog function.

### Watchdog Function

The watchdog consists of a programmable prescaler and the main timer. The prescaler derives its clock from the TCLK source that also drives timers 0, 1, and 2. The watchdog timer subsystem consists of a programmable 13-bit prescaler, and an 8-bit main timer. The main timer is clocked (decremented) by a tap taken from one of the top 8-bits of the prescaler as shown in Figure 10. The clock source for the prescaler is the same as TCLK (same as the clock source for the timers). Thus the main counter can be clocked as often as once every 32 TCLKs (see Table 2). The watchdog generates an underflow signal (and is auto-loaded from WDL) when the watchdog is at count 0 and the clock to decrement the watchdog occurs. The watchdog is 8 bits wide and the autoloader value can range from 0 to FFH. (The autoloader value of 0 is permissible since the prescaler is cleared upon autoloader).

This leads to the following user design equations. Definitions:  $t_{OSC}$  is the oscillator period, N is the selected prescaler tap value, W is the main counter autoloader value, P is the prescaler value from Table 2,  $t_{MIN}$  is the minimum watchdog time-out value (when the autoloader value is 0),  $t_{MAX}$  is the maximum time-out value (when the autoloader value is FFH),  $t_D$  is the design time-out value.

$$t_{MIN} = t_{OSC} \times 4 \times 32 (W = 0, N = 4)$$

$$t_{MAX} = t_{OSC} \times 64 \times 4096 \times 256 (W = 255, N = 64)$$

$$t_D = t_{OSC} \times N \times P \times (W + 1)$$

The watchdog timer is not directly loadable by the user. Instead, the value to be loaded into the main timer is held in an autoloader register. In order to cause the main timer to be loaded with the appropriate value, a special sequence of software action must take place. This operation is referred to as feeding the watchdog timer.

To feed the watchdog, two instructions must be sequentially executed successfully. No intervening SFR accesses are allowed, so interrupts should be disabled before feeding the watchdog. The instructions should move A5H to the WFEED1 register and then 5AH to the WFEED2 register. If WFEED1 is correctly loaded and WFEED2 is not correctly loaded, then an immediate watchdog reset will occur. The program sequence to feed the watchdog timer or cause new WDCON settings to take effect is as follows:

```
clr    ea           ; disable global interrupts.
mov.b  wfeed1,#A5h ; do watchdog feed part 1
mov.b  wfeed2,#5Ah ; do watchdog feed part 2
setb   ea           ; re-enable global interrupts.
```

This sequence assumes that the XA interrupt system is enabled and there is a possibility of an interrupt request occurring during the feed sequence. If an interrupt was allowed to be serviced and the service routine contained any SFR access, it would trigger a watchdog reset. If it is known that no interrupt could occur during the feed sequence, the instructions to disable and re-enable interrupts may be removed.

The software must be written so that a feed operation takes place every  $t_D$  seconds from the last feed operation. Some tradeoffs may need to be made. It is not advisable to include feed operations in minor loops or in subroutines unless the feed operation is a specific subroutine.

To turn the watchdog timer completely off, the following code sequence should be used:

```
mov.b  wdcon,#0    ; set WD control register to clear WDRUN.
mov.b  wfeed1,#A5h ; do watchdog feed part 1
mov.b  wfeed2,#5Ah ; do watchdog feed part 2
```

This sequence assumes that the watchdog timer is being turned off at the beginning of initialization code and that the XA interrupt system has not yet been enabled. If the watchdog timer is to be turned off at a point when interrupts may be enabled, instructions to disable and re-enable interrupts should be added to this sequence.

### Watchdog Control Register (WDCON)

The reset values of the WDCON and WDL registers will be such that the watchdog timer has a timeout period of  $4 \times 4096 \times t_{OSC}$  and the watchdog is running. WDCON can be written by software but the changes only take effect after executing a valid watchdog feed sequence.

**Table 2. Prescaler Select Values in WDCON**

| PRE2 | PRE1 | PRE0 | DIVISOR |
|------|------|------|---------|
| 0    | 0    | 0    | 32      |
| 0    | 0    | 1    | 64      |
| 0    | 1    | 0    | 128     |
| 0    | 1    | 1    | 256     |
| 1    | 0    | 0    | 512     |
| 1    | 0    | 1    | 1024    |
| 1    | 1    | 0    | 2048    |
| 1    | 1    | 1    | 4096    |

### Watchdog Detailed Operation

When external RESET is applied, the following takes place:

- Watchdog run control bit set to ON (1).
- Autoloader register WDL set to 00 (min. count).
- Watchdog time-out flag cleared.
- Prescaler is cleared.
- Prescaler tap set to the highest divide.
- Autoloader takes place.

When coming out of a hardware reset, the software should load the autoloader register and then feed the watchdog (cause an autoloader).

If the watchdog is running and happens to underflow at the time the external RESET is applied, the watchdog time-out flag will be cleared.



# XA 16-bit microcontroller family

## 32K/512 OTP/ROM/ROMless, watchdog, 2 UARTs

XA-G3

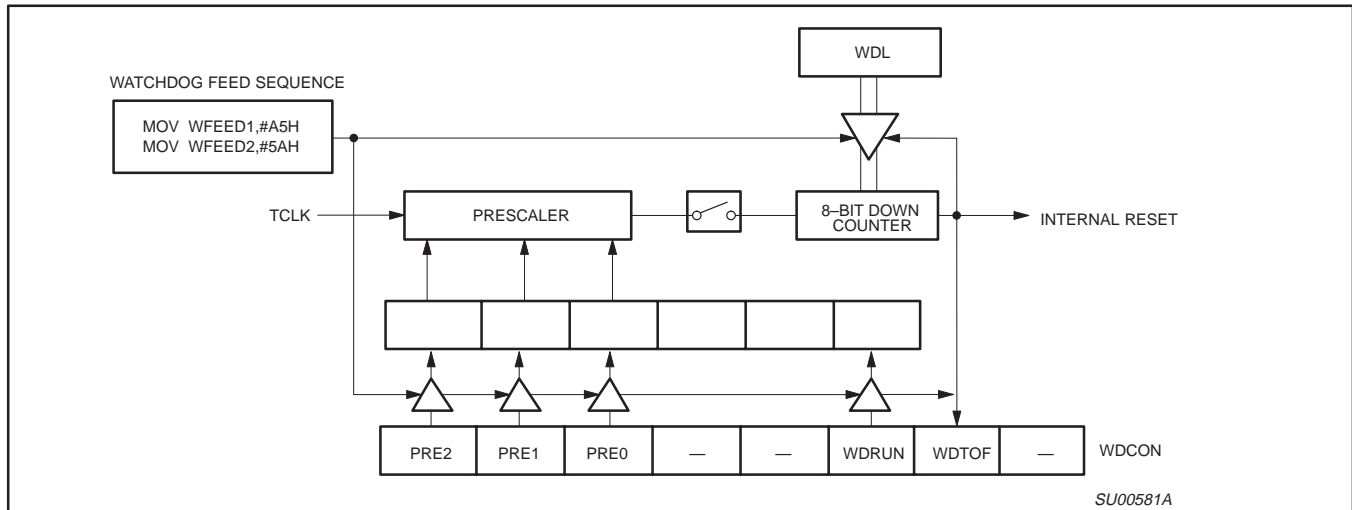


Figure 10. Watchdog Timer in XA-G3

When the watchdog underflows, the following action takes place (see Figure 10):

- Autoload takes place.
- Watchdog time-out flag is set
- Watchdog run bit unchanged.
- Autoload (WDL) register unchanged.
- Prescaler tap unchanged.
- All other device action same as external reset.

Note that if the watchdog underflows, the program counter will be loaded from the reset vector as in the case of an internal reset. The watchdog time-out flag can be examined to determine if the watchdog has caused the reset condition. The watchdog time-out flag bit can be cleared by software.

### WDCON Register Bit Definitions

|         |       |                                      |
|---------|-------|--------------------------------------|
| WDCON.7 | PRE2  | Prescaler Select 2, reset to 1       |
| WDCON.6 | PRE1  | Prescaler Select 1, reset to 1       |
| WDCON.5 | PRE0  | Prescaler Select 0, reset to 1       |
| WDCON.4 | —     |                                      |
| WDCON.3 | —     |                                      |
| WDCON.2 | WDRUN | Watchdog Run Control bit, reset to 1 |
| WDCON.1 | WDTOF | Timeout flag                         |
| WDCON.0 | —     |                                      |

### UARTs

The XA-G3 includes 2 UART ports that are compatible with the enhanced UART used on the 8xC51FB. Baud rate selection is somewhat different due to the clocking scheme used for the XA timers.

Some other enhancements have been made to UART operation. The first is that there are separate interrupt vectors for each UART's transmit and receive functions. The UART transmitter has been double buffered, allowing packed transmission of data with no gaps between bytes and less critical interrupt service routine timing. A break detect function has been added to the UART. This operates independently of the UART itself and provides a start-of-break status bit that the program may test. Finally, an Overrun Error flag has been added to detect missed characters in the received data stream. The double buffered UART transmitter may require some software changes in code written for the original XA-G3 single buffered UART.

Each UART baud rate is determined by either a fixed division of the oscillator (in UART modes 0 and 2) or by the timer 1 or timer 2 overflow rate (in UART modes 1 and 3).

Timer 1 defaults to clock both UART0 and UART1. Timer 2 can be programmed to clock either UART0 through T2CON (via bits ROCLK and T0CLK) or UART1 through T2MOD (via bits R1CLK and T1CLK). In this case, the UART not clocked by T2 could use T1 as the clock source.

The serial port receive and transmit registers are both accessed at Special Function Register SnBUF. Writing to SnBUF loads the transmit register, and reading SnBUF accesses a physically separate receive register.

The serial port can operate in 4 modes:

**Mode 0: Serial I/O expansion mode.** Serial data enters and exits through RxDn. TxDn outputs the shift clock. 8 bits are transmitted/received (LSB first). (The baud rate is fixed at 1/16 the oscillator frequency.)

**Mode 1: Standard 8-bit UART mode.** 10 bits are transmitted (through TxDn) or received (through RxDn): a start bit (0), 8 data bits (LSB first), and a stop bit (1). On receive, the stop bit goes into RB8 in Special Function Register SnCON. The baud rate is variable.

**Mode 2: Fixed rate 9-bit UART mode.** 11 bits are transmitted (through TxD) or received (through RxD): start bit (0), 8 data bits (LSB first), a programmable 9th data bit, and a stop bit (1). On Transmit, the 9th data bit (TB8\_n in SnCON) can be assigned the value of 0 or 1. Or, for example, the parity bit (P, in the PSW) could be moved into TB8\_n. On receive, the 9th data bit goes into RB8\_n in Special Function Register SnCON, while the stop bit is ignored. The baud rate is programmable to 1/32 of the oscillator frequency.

**Mode 3: Standard 9-bit UART mode.** 11 bits are transmitted (through TxDn) or received (through RxDn): a start bit (0), 8 data bits (LSB first), a programmable 9th data bit, and a stop bit (1). In fact, Mode 3 is the same as Mode 2 in all respects except baud rate. The baud rate in Mode 3 is variable.

In all four modes, transmission is initiated by any instruction that uses SnBUF as a destination register. Reception is initiated in Mode 0 by the condition RI\_n = 0 and REN\_n = 1. Reception is initiated in the other modes by the incoming start bit if REN\_n = 1.

# XA 16-bit microcontroller family

## 32K/512 OTP/ROM/ROMless, watchdog, 2 UARTs

XA-G3

### Serial Port Control Register

The serial port control and status register is the Special Function Register SnCON, shown in Figure 12. This register contains not only the mode selection bits, but also the 9th data bit for transmit and receive (TB8\_n and RB8\_n), and the serial port interrupt bits (TI\_n and RI\_n).

### TI Flag

In order to allow easy use of the double buffered UART transmitter feature, the TI\_n flag is set by the UART hardware under two conditions. The first condition is the completion of any byte transmission. This occurs at the end of the stop bit in modes 1, 2, or 3, or at the end of the eighth data bit in mode 0. The second condition is when SnBUF is written while the UART transmitter is idle. In this case, the TI\_n flag is set in order to indicate that the second UART transmitter buffer is still available.

Typically, UART transmitters generate one interrupt per byte transmitted. In the case of the XA UART, one additional interrupt is generated as defined by the stated conditions for setting the TI\_n flag. This additional interrupt does not occur if double buffering is bypassed as explained below. Note that if a character oriented approach is used to transmit data through the UART, there could be a second interrupt for each character transmitted, depending on the timing of the writes to SBUF. For this reason, it is generally better to bypass double buffering when the UART transmitter is used in character oriented mode. This is also true if the UART is polled rather than interrupt driven, and when transmission is character oriented rather than message or string oriented. The interrupt occurs at the end of the last byte transmitted when the UART becomes idle. Among other things, this allows a program to determine when a message has been transmitted completely. The interrupt service routine should handle this additional interrupt.

The recommended method of using the double buffering in the application program is to have the interrupt service routine handle a single byte for each interrupt occurrence. In this manner the program essentially does not require any special considerations for double buffering. Unless higher priority interrupts cause delays in the servicing of the UART transmitter interrupt, the double buffering will result in transmitted bytes being tightly packed with no intervening gaps.

### 9-bit Mode

Please note that the ninth data bit (TB8) is not double buffered. Care must be taken to insure that the TB8 bit contains the intended data at the point where it is transmitted. Double buffering of the UART transmitter may be bypassed as a simple means of synchronizing TB8 to the rest of the data stream.

### Bypassing Double Buffering

The UART transmitter may be used as if it is single buffered. The recommended UART transmitter interrupt service routine (ISR) technique to bypass double buffering first clears the TI\_n flag upon entry into the ISR, as in standard practice. This clears the interrupt that activated the ISR. Secondly, the TI\_n flag is cleared immediately following each write to SnBUF. This clears the interrupt flag that would otherwise direct the program to write to the second transmitter buffer. If there is any possibility that a higher priority interrupt might become active between the write to SnBUF and the clearing of the TI\_n flag, the interrupt system may have to be temporarily disabled during that sequence by clearing, then setting the EA bit in the IEL register.

### Note Regarding Older XA-G3 Devices

Older versions of the XA-G30, XA-G37, and XA-G35 emulation bondout devices do not have the double buffering feature enabled. Contact factory for details.



# XA 16-bit microcontroller family

## 32K/512 OTP/ROM/ROMless, watchdog, 2 UARTs

XA-G3

### CLOCKING SCHEME/BAUD RATE GENERATION

The XA UARTS clock rates are determined by either a fixed division (modes 0 and 2) of the oscillator clock or by the Timer 1 or Timer 2 overflow rate (modes 1 and 3).

The clock for the UARTs in XA runs at 16x the Baud rate. If the timers are used as the source for Baud Clock, since maximum speed of timers/Baud Clock is Osc/4, the maximum baud rate is timer overflow divided by 16 i.e. Osc/64.

In Mode 0, it is fixed at Osc/16. In Mode 2, however, the fixed rate is Osc/32.

|   |    |          |
|---|----|----------|
| Pre-scaler for all Timers T0,1,2 controlled by PT1, PT0 bits in SCR | 00 | Osc/4    |
|   | 01 | Osc/16   |
|   | 10 | Osc/64   |
|   | 11 | reserved |

#### Baud Rate for UART Mode 0:

$$\text{Baud\_Rate} = \text{Osc}/16$$

#### Baud Rate calculation for UART Mode 1 and 3:

$$\text{Baud\_Rate} = \text{Timer\_Rate}/16$$

$$\text{Timer\_Rate} = \text{Osc}/(\text{N} * (\text{Timer\_Range} - \text{Timer\_Reload\_Value}))$$

where N = the TCLK prescaler value: 4, 16, or 64.

and Timer\_Range = 256 for timer 1 in mode 2.  
65536 for timer 1 in mode 0 and timer 2 in count up mode.

The timer reload value may be calculated as follows:

$$\text{Timer\_Reload\_Value} = \text{Timer\_Range} - (\text{Osc}/(\text{Baud\_Rate} * \text{N} * 16))$$

#### NOTES:

1. The maximum baud rate for a UART in mode 1 or 3 is Osc/64.
2. The lowest possible baud rate (for a given oscillator frequency and N value) may be found by using a timer reload value of 0.
3. The timer reload value may never be larger than the timer range.
4. If a timer reload value calculation gives a negative or fractional result, the baud rate requested is not possible at the given oscillator frequency and N value.

#### Baud Rate for UART Mode 2:

$$\text{Baud\_Rate} = \text{Osc}/32$$

### Using Timer 2 to Generate Baud Rates

Timer T2 is a 16-bit up/down counter in XA. As a baud rate generator, timer 2 is selected as a clock source for either/both UART0 and UART1 transmitters and/or receivers by setting TCLKn and/or RCLKn in T2CON and T2MOD. As the baud rate generator, T2 is incremented as Osc/N where N = 4, 16 or 64 depending on TCLK as programmed in the SCR bits PT1, and PTO. So, if T2 is the source of one UART, the other UART could be clocked by either T1 overflow or fixed clock, and the UARTs could run independently with different baud rates.

|                |       |       |  |
|----------------|-------|-------|--|
| T2CON<br>0x418 | bit5  | bit4  |  |
|                | RCLK0 | TCLK0 |  |

|                |       |       |  |
|----------------|-------|-------|--|
| T2MOD<br>0x419 | bit5  | bit4  |  |
|                | RCLK1 | TCLK1 |  |

#### Prescaler Select for Timer Clock (TCLK)

|              |      |      |  |
|--------------|------|------|--|
| SCR<br>0x440 | bit3 | bit2 |  |
|              | PT1  | PT0  |  |

|  |               |  |   |   |   |     |     |     |        |
|--|---------------|--|---|---|---|-----|-----|-----|--------|
| SnSTAT Address: S0STAT 421<br>S1STAT 425 |               | MSB  |   |   |   |     | LSB |     |        |
| Bit Addressable                          |               | —  | — | — | — | FEn | BRn | OEn | STINTn |
| Reset Value: 00H                         |               |  |   |   |   |     |     |     |        |
| <b>BIT</b>                               | <b>SYMBOL</b> | <b>FUNCTION</b>  |   |   |   |     |     |     |        |
| SnSTAT.3                                 | FEn           | Framing Error flag is set when the receiver fails to see a valid STOP bit at the end of the frame. Cleared by software.  |   |   |   |     |     |     |        |
| SnSTAT.2                                 | BRn           | Break Detect flag is set if a character is received with all bits (including STOP bit) being logic '0'. Thus it gives a "Start of Break Detect" on bit 8 for Mode 1 and bit 9 for Modes 2 and 3. The break detect feature operates independently of the UARTs and provides the START of Break Detect status bit that a user program may poll. Cleared by software. |   |   |   |     |     |     |        |
| SnSTAT.1                                 | OEn           | Overrun Error flag is set if a new character is received in the receiver buffer while it is still full (before the software has read the previous character from the buffer), i.e., when bit 8 of a new byte is received while RI in SnCON is still set. Cleared by software.  |   |   |   |     |     |     |        |
| SnSTAT.0                                 | STINTn        | This flag must be set to enable any of the above status flags to generate a receive interrupt (RIn). The only way it can be cleared is by a software write to this register.   |   |   |   |     |     |     |        |

SU00607B

Figure 11. Serial Port Extended Status (SnSTAT) Register  
(See also Figure 13 regarding Framing Error flag)

# XA 16-bit microcontroller family

## 32K/512 OTP/ROM/ROMless, watchdog, 2 UARTs

XA-G3

### UART INTERRUPT SCHEME

There are separate interrupt vectors for each UART's transmit and receive functions.

**Table 3. Vector Locations for UARTs in XA**

| Vector Address | Interrupt Source   | Arbitration |
|----------------|--------------------|-------------|
| A0H – A3H      | UART 0 Receiver    | 7           |
| A4H – A7H      | UART 0 Transmitter | 8           |
| A8H – ABH      | UART 1 Receiver    | 9           |
| ACH – AFH      | UART 1 Transmitter | 10          |

**NOTE:**

The transmit and receive vectors could contain the same ISR address to work like a 8051 interrupt scheme

**Error Handling, Status Flags and Break Detect**

The UARTs in XA has the following error flags; see Figure 11.

### Multiprocessor Communications

Modes 2 and 3 have a special provision for multiprocessor communications. In these modes, 9 data bits are received. The 9th one goes into RB8. Then comes a stop bit. The port can be programmed such that when the stop bit is received, the serial port interrupt will be activated only if RB8 = 1. This feature is enabled by setting bit SM2 in SCON. A way to use this feature in multiprocessor systems is as follows:

When the master processor wants to transmit a block of data to one of several slaves, it first sends out an address byte which identifies the target slave. An address byte differs from a data byte in that the 9th bit is 1 in an address byte and 0 in a data byte. With SM2 = 1, no slave will be interrupted by a data byte. An address byte, however, will interrupt all slaves, so that each slave can examine the received byte and see if it is being addressed. The addressed slave will clear its SM2 bit and prepare to receive the data bytes that will be coming. The slaves that weren't being addressed leave their SM2s set and go on about their business, ignoring the coming data bytes.

SM2 has no effect in Mode 0, and in Mode 1 can be used to check the validity of the stop bit although this is better done with the Framing Error (FE) flag. In a Mode 1 reception, if SM2 = 1, the receive interrupt will not be activated unless a valid stop bit is received.

**Automatic Address Recognition**

Automatic Address Recognition is a feature which allows the UART to recognize certain addresses in the serial bit stream by using hardware to make the comparisons. This feature saves a great deal of software overhead by eliminating the need for the software to examine every serial address which passes by the serial port. This feature is enabled by setting the SM2 bit in SCON. In the 9 bit UART modes, mode 2 and mode 3, the Receive Interrupt flag (RI) will be automatically set when the received byte contains either the "Given" address or the "Broadcast" address. The 9 bit mode requires that the 9th information bit is a 1 to indicate that the received information is an address and not data. Automatic address recognition is shown in Figure 14.

Using the Automatic Address Recognition feature allows a master to selectively communicate with one or more slaves by invoking the

Given slave address or addresses. All of the slaves may be contacted by using the Broadcast address. Two special Function Registers are used to define the slave's address, SADDR, and the address mask, SADEN. SADEN is used to define which bits in the SADDR are to be used and which bits are "don't care". The SADEN mask can be logically ANDed with the SADDR to create the "Given" address which the master will use for addressing each of the slaves. Use of the Given address allows multiple slaves to be recognized while excluding others. The following examples will help to show the versatility of this scheme:

|         |         |                  |
|---------|---------|------------------|
| Slave 0 | SADDR = | 1100 0000        |
|         | SADEN = | <u>1111 1101</u> |
|         | Given = | 1100 00X0        |
| Slave 1 | SADDR = | 1100 0000        |
|         | SADEN = | <u>1111 1110</u> |
|         | Given = | 1100 000X        |

In the above example SADDR is the same and the SADEN data is used to differentiate between the two slaves. Slave 0 requires a 0 in bit 0 and it ignores bit 1. Slave 1 requires a 0 in bit 1 and bit 0 is ignored. A unique address for Slave 0 would be 1100 0010 since slave 1 requires a 0 in bit 1. A unique address for slave 1 would be 1100 0001 since a 1 in bit 0 will exclude slave 0. Both slaves can be selected at the same time by an address which has bit 0 = 0 (for slave 0) and bit 1 = 0 (for slave 1). Thus, both could be addressed with 1100 0000.

In a more complex system the following could be used to select slaves 1 and 2 while excluding slave 0:

|         |         |                  |
|---------|---------|------------------|
| Slave 0 | SADDR = | 1100 0000        |
|         | SADEN = | <u>1111 1001</u> |
|         | Given = | 1100 0XX0        |
| Slave 1 | SADDR = | 1110 0000        |
|         | SADEN = | <u>1111 1010</u> |
|         | Given = | 1110 0X0X        |
| Slave 2 | SADDR = | 1110 0000        |
|         | SADEN = | <u>1111 1100</u> |
|         | Given = | 1110 00XX        |

In the above example the differentiation among the 3 slaves is in the lower 3 address bits. Slave 0 requires that bit 0 = 0 and it can be uniquely addressed by 1110 0110. Slave 1 requires that bit 1 = 0 and it can be uniquely addressed by 1110 and 0101. Slave 2 requires that bit 2 = 0 and its unique address is 1110 0011. To select Slaves 0 and 1 and exclude Slave 2 use address 1110 0100, since it is necessary to make bit 2 = 1 to exclude slave 2.

The Broadcast Address for each slave is created by taking the logical OR of SADDR and SADEN. Zeros in this result are treated as don't-cares. In most cases, interpreting the don't-cares as ones, the broadcast address will be FF hexadecimal.

Upon reset SADDR and SADEN are loaded with 0s. This produces a given address of all "don't cares" as well as a Broadcast address of all "don't cares". This effectively disables the Automatic Addressing mode and allows the microcontroller to use standard UART drivers which do not make use of this feature.

# XA 16-bit microcontroller family

## 32K/512 OTP/ROM/ROMless, watchdog, 2 UARTs

XA-G3

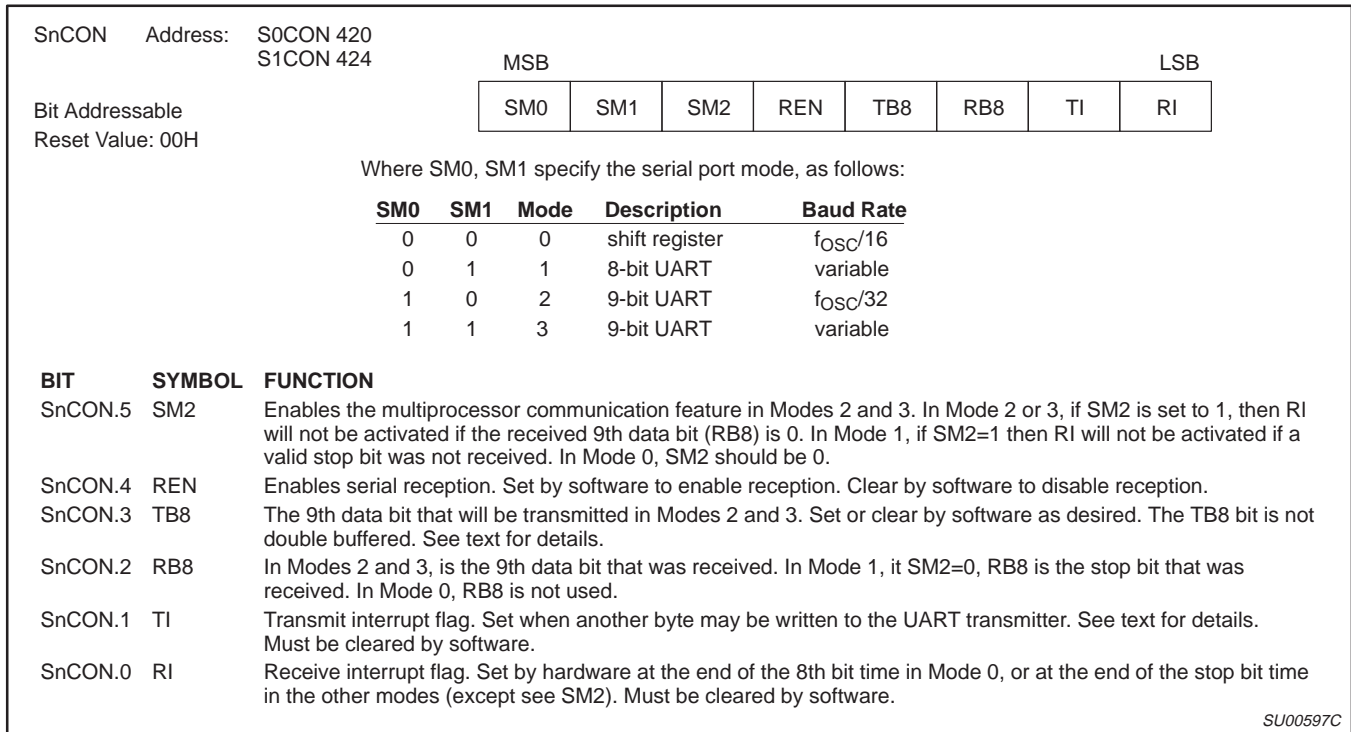


Figure 12. Serial Port Control (SnCON) Register

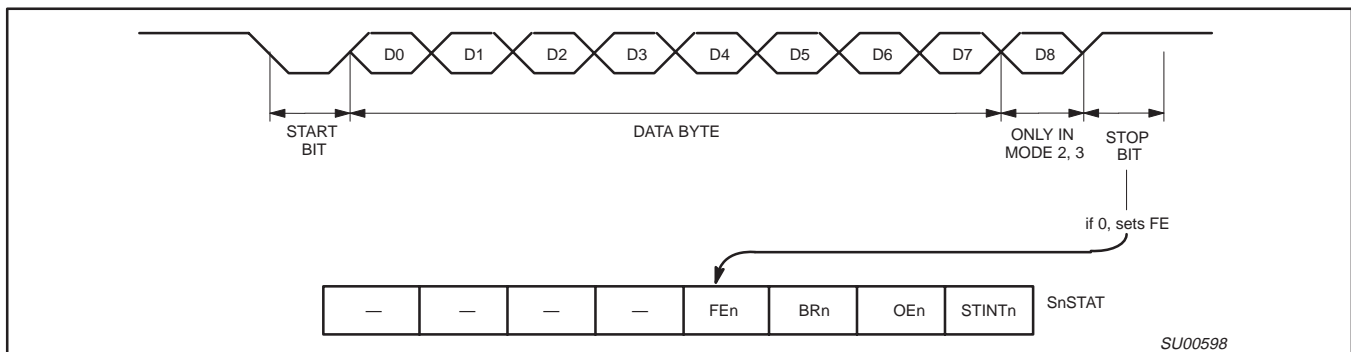


Figure 13. UART Framing Error Detection

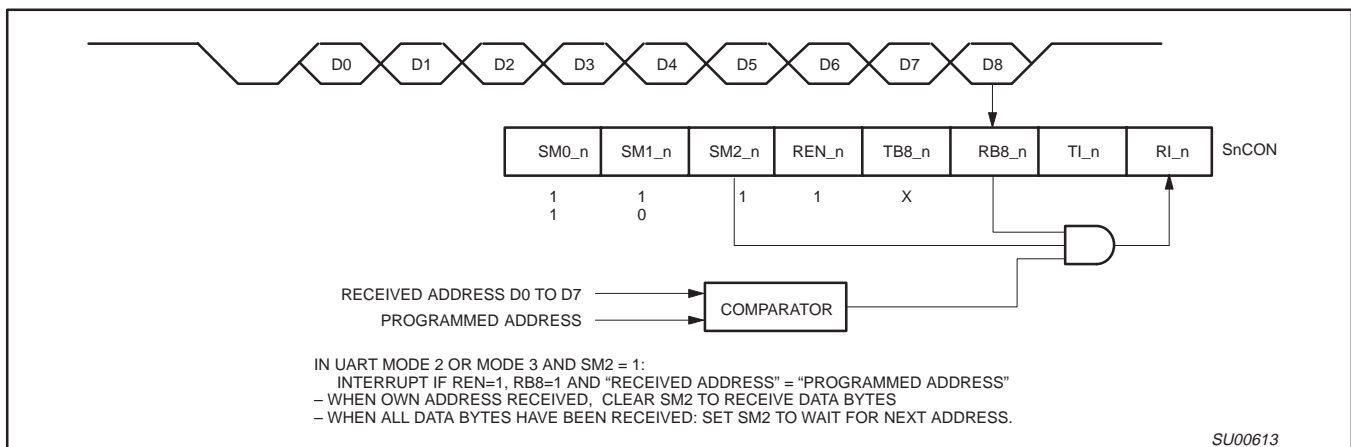


Figure 14. UART Multiprocessor Communication, Automatic Address Recognition

# XA 16-bit microcontroller family

## 32K/512 OTP/ROM/ROMless, watchdog, 2 UARTs

XA-G3

### I/O PORT OUTPUT CONFIGURATION

Each I/O port pin can be user configured to one of 4 output types. The types are Quasi-bidirectional (essentially the same as standard 80C51 family I/O ports), Open-Drain, Push-Pull, and Off (high impedance). The default configuration after reset is Quasi-bidirectional. However, in the ROMless mode (the  $\overline{EA}$  pin is low at reset), the port pins that comprise the external data bus will default to push-pull outputs.

I/O port output configurations are determined by the settings in port configuration SFRs. There are 2 SFRs for each port, called PnCFGa and PnCFGb, where "n" is the port number. One bit in each of the 2 SFRs relates to the output setting for the corresponding port pin, allowing any combination of the 2 output types to be mixed on those port pins. For instance, the output type of port 1 pin 3 is controlled by the setting of bit 3 in the SFRs P1CFGa and P1CFGb.

Table 4 shows the configuration register settings for the 4 port output types. The electrical characteristics of each output type may be found in the DC Characteristic table.

**Table 4. Port Configuration Register Settings**

| PnCFGb | PnCFGa | Port Output Mode     |
|--------|--------|----------------------|
| 0      | 0      | Open Drain           |
| 0      | 1      | Quasi-bidirectional  |
| 1      | 0      | Off (high impedance) |
| 1      | 1      | Push-Pull            |

**NOTE:**

Mode changes may cause glitches to occur during transitions. When modifying both registers, WRITE instructions should be carried out consecutively.

### EXTERNAL BUS

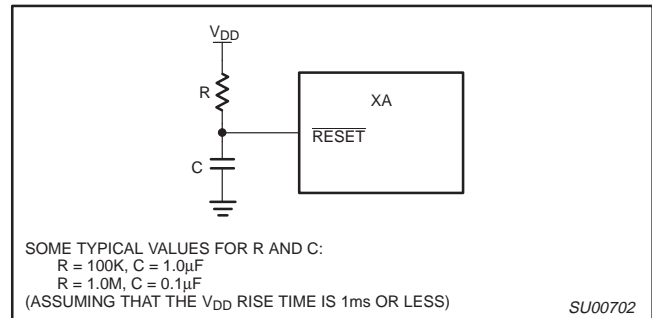
The external program/data bus allows for 8-bit or 16-bit bus width, and address sizes from 12 to 20 bits. The bus width is selected by an input at reset (see Reset Options below), while the address size is set by the program in a configuration register. If all off-chip code is selected (through the use of the  $\overline{EA}$  pin), the initial code fetches will be done with the maximum address size (20 bits).

### RESET

The device is reset whenever a logic "0" is applied to  $\overline{RST}$  for at least 10 microseconds, placing a low level on the pin re-initializes the on-chip logic. Reset must be asserted when power is initially applied to the XA and held until the oscillator is running.

The duration of reset must be extended when power is initially applied or when using reset to exit power down mode. This is due to the need to allow the oscillator time to start up and stabilize. For most power supply ramp up conditions, this time is 10 milliseconds.

As it is brought high again, an exception is generated which causes the processor to jump to the address contained in the memory location 0000. The destination of the reset jump must be located in the first 64k of code address on power-up, all vectors are 16-bit values and so point to page zero addresses only. After a reset the RAM contents are indeterminate.



**Figure 15. Recommended Reset Circuit**

### RESET OPTIONS

The  $\overline{EA}$  pin is sampled on the rising edge of the  $\overline{RST}$  pulse, and determines whether the device is to begin execution from internal or external code memory.  $\overline{EA}$  pulled high configures the XA in single-chip mode. If  $\overline{EA}$  is driven low, the device enters ROMless mode. After Reset is released, the  $\overline{EA}/WAIT$  pin becomes a bus wait signal for external bus transactions.

The BUSW/P3.5 pin is weakly pulled high while reset is asserted, allowing simple biasing of the pin with a resistor to ground to select the alternate bus width. If the BUSW pin is not driven at reset, the weak pullup will cause a 1 to be loaded for the bus width, giving a 16-bit external bus. BUSW may be pulled low with a 2.7K or smaller value resistor, giving an 8-bit external bus. The bus width setting from the BUSW pin may be overridden by software once the user program is running.

Both  $\overline{EA}$  and BUSW must be held for three oscillator clock times after reset is deasserted to guarantee that their values are latched correctly.

### POWER REDUCTION MODES

The XA-G3 supports Idle and Power Down modes of power reduction. The idle mode leaves some peripherals running to allow them to wake up the processor when an interrupt is generated. The power down mode stops the oscillator in order to minimize power. The processor can be made to exit power down mode via reset or one of the external interrupt inputs. In order to use an external interrupt to re-activate the XA while in power down mode, the external interrupt must be enabled and be configured to level sensitive mode. In power down mode, the power supply voltage may be reduced to the RAM keep-alive voltage (2V), retaining the RAM, register, and SFR values at the point where the power down mode was entered.

# XA 16-bit microcontroller family

## 32K/512 OTP/ROM/ROMless, watchdog, 2 UARTs

XA-G3

### INTERRUPTS

The XA-G3 supports 38 vectored interrupt sources. These include 9 maskable event interrupts, 7 exception interrupts, 16 trap interrupts, and 7 software interrupts. The maskable interrupts each have 8 priority levels and may be globally and/or individually enabled or disabled.

The XA defines four types of interrupts:

- **Exception Interrupts** – These are system level errors and other very important occurrences which include stack overflow, divide-by-0, and reset.
- **Event interrupts** – These are peripheral interrupts from devices such as UARTs, timers, and external interrupt inputs.
- **Software Interrupts** – These are equivalent of hardware interrupt, but are requested only under software control.
- **Trap Interrupts** – These are TRAP instructions, generally used to call system services in a multi-tasking system.

Exception interrupts, software interrupts, and trap interrupts are generally standard for XA derivatives and are detailed in the *XA User Guide*. Event interrupts tend to be different on different XA derivatives.

The XA-G3 supports a total of 9 maskable event interrupt sources (for the various XA peripherals), seven software interrupts, 5 exception interrupts (plus reset), and 16 traps. The maskable event interrupts share a global interrupt disable bit (the EA bit in the IEL register) and each also has a separate individual interrupt enable bit (in the IEL or IEH registers). Only three bits of the IPA register values are used on the XA-G3. Each event interrupt can be set to occur at one of 8 priority levels via bits in the Interrupt Priority (IP) registers, IPA0 through IPA5. The value 0 in the IPA field gives the interrupt priority 0, in effect disabling the interrupt. A value of 1 gives the interrupt a priority of 9, the value 2 gives priority 10, etc. The result is the same as if all four bits were used and the top bit set for all values except 0. Details of the priority scheme may be found in the XA User Guide.

The complete interrupt vector list for the XA-G3, including all 4 interrupt types, is shown in the following tables. The tables include the address of the vector for each interrupt, the related priority register bits (if any), and the arbitration ranking for that interrupt source. The arbitration ranking determines the order in which interrupts are processed if more than one interrupt of the same priority occurs simultaneously.

**Table 5. Interrupt Vectors**

#### EXCEPTION/TRAPS PRECEDENCE

| DESCRIPTION                 | VECTOR ADDRESS | ARBITRATION RANKING |
|-----------------------------|----------------|---------------------|
| Reset (h/w, watchdog, s/w)  | 0000–0003      | 0 (High)            |
| Breakpoint (h/w trap 1)     | 0004–0007      | 1                   |
| Trace (h/w trap 2)          | 0008–000B      | 1                   |
| Stack Overflow (h/w trap 3) | 000C–000F      | 1                   |
| Divide by 0 (h/w trap 4)    | 0010–0013      | 1                   |
| User RETI (h/w trap 5)      | 0014–0017      | 1                   |
| TRAP 0– 15 (software)       | 0040–007F      | 1                   |

#### EVENT INTERRUPTS

| DESCRIPTION          | FLAG BIT  | VECTOR ADDRESS | ENABLE BIT | INTERRUPT PRIORITY | ARBITRATION RANKING |
|----------------------|-----------|----------------|------------|--------------------|---------------------|
| External interrupt 0 | IE0       | 0080–0083      | EX0        | IPA0.2–0 (PX0)     | 2                   |
| Timer 0 interrupt    | TF0       | 0084–0087      | ET0        | IPA0.6–4 (PT0)     | 3                   |
| External interrupt 1 | IE1       | 0088–008B      | EX1        | IPA1.2–0 (PX1)     | 4                   |
| Timer 1 interrupt    | TF1       | 008C–008F      | ET1        | IPA1.6–4 (PT1)     | 5                   |
| Timer 2 interrupt    | TF2(EXF2) | 0090–0093      | ET2        | IPA2.2–0 (PT2)     | 6                   |
| Serial port 0 Rx     | RI.0      | 00A0–00A3      | ERI0       | IPA4.2–0 (PRIO)    | 7                   |
| Serial port 0 Tx     | TI.0      | 00A4–00A7      | ETI0       | IPA4.6–4 (PTIO)    | 8                   |
| Serial port 1 Rx     | RI.1      | 00A8–00AB      | ERI1       | IPA5.2–0 (PRT1)    | 9                   |
| Serial port 1 Tx     | TI.1      | 00AC–00AF      | ETI1       | IPA5.6–4 (PTI1)    | 10                  |

#### SOFTWARE INTERRUPTS

| DESCRIPTION          | FLAG BIT | VECTOR ADDRESS | ENABLE BIT | INTERRUPT PRIORITY |
|----------------------|----------|----------------|------------|--------------------|
| Software interrupt 1 | SWR1     | 0100–0103      | SWE1       | (fixed at 1)       |
| Software interrupt 2 | SWR2     | 0104–0107      | SWE2       | (fixed at 2)       |
| Software interrupt 3 | SWR3     | 0108–010B      | SWE3       | (fixed at 3)       |
| Software interrupt 4 | SWR4     | 010C–010F      | SWE4       | (fixed at 4)       |
| Software interrupt 5 | SWR5     | 0110–0113      | SWE5       | (fixed at 5)       |
| Software interrupt 6 | SWR6     | 0114–0117      | SWE6       | (fixed at 6)       |
| Software interrupt 7 | SWR7     | 0118–011B      | SWE7       | (fixed at 7)       |

# XA 16-bit microcontroller family

## 32K/512 OTP/ROM/ROMless, watchdog, 2 UARTs

XA-G3

### ABSOLUTE MAXIMUM RATINGS

| PARAMETER  | RATING                | UNIT |
|--|-----------------------|------|
| Operating temperature under bias   | -55 to +125           | °C   |
| Storage temperature range  | -65 to +150           | °C   |
| Voltage on $\overline{EA}/V_{PP}$ pin to $V_{SS}$  | 0 to +13.0            | V    |
| Voltage on any other pin to $V_{SS}$   | -0.5 to $V_{DD}+0.5V$ | V    |
| Maximum $I_{OL}$ per I/O pin   | 15                    | mA   |
| Power dissipation (based on package heat transfer limitations, not device power consumption) | 1.5                   | W    |

### DC ELECTRICAL CHARACTERISTICS

$V_{DD} = 2.7V$  to  $5.5V$  unless otherwise specified;  $V_{DD} = T_{amb} = 0$  to  $+70^{\circ}C$  for commercial,  $-40^{\circ}C$  to  $+85^{\circ}C$  for industrial, unless otherwise specified.

| SYMBOL          | PARAMETER  | TEST CONDITIONS                     | LIMITS      |     |              | UNIT    |
|-----------------|--|-------------------------------------|-------------|-----|--------------|---------|
|                 |  |                                     | MIN         | TYP | MAX          |         |
| <b>Supplies</b> |  |                                     |             |     |              |         |
| $I_{DD}$        | Supply current operating                                 | 30 MHz                              |             | 60  | 80           | mA      |
| $I_{ID}$        | Idle mode supply current                                 | 30 MHz                              |             | 22  | 30           | mA      |
| $I_{PD}$        | Power-down current                                       |                                     |             | 5   | 100          | $\mu A$ |
| $I_{PDI}$       | Power-down current ( $-40^{\circ}C$ to $+85^{\circ}C$ )  |                                     |             |     | 150          | $\mu A$ |
| $V_{RAM}$       | RAM-keep-alive voltage                                   | RAM-keep-alive voltage              | 1.5         |     |              | V       |
| $V_{IL}$        | Input low voltage  |                                     | -0.5        |     | $0.22V_{DD}$ | V       |
| $V_{IH}$        | Input high voltage, except XTAL1, RST                    | At 5.0V                             | 2.2         |     |              | V       |
|                 |  | At 3.3V                             | 2           |     |              | V       |
| $V_{IH1}$       | Input high voltage to XTAL1, RST                         | For both 3.0 & 5.0V                 | $0.7V_{DD}$ |     |              | V       |
| $V_{OL}$        | Output low voltage all ports, ALE, PSEN <sup>3</sup>     | $I_{OL} = 3.2mA, V_{DD} = 5.0V$     |             |     | 0.5          | V       |
|                 |  | $1.0mA, V_{DD} = 3.0V$              |             |     | 0.4          | V       |
| $V_{OH1}$       | Output high voltage all ports, ALE, PSEN <sup>1</sup>    | $I_{OH} = -100\mu A, V_{DD} = 4.5V$ | 2.4         |     |              | V       |
|                 |  | $I_{OH} = -15\mu A, V_{DD} = 2.7V$  | 2.0         |     |              | V       |
| $V_{OH2}$       | Output high voltage, ports P0-3, ALE, PSEN <sup>2</sup>  | $I_{OH} = 3.2mA, V_{DD} = 4.5V$     | 2.4         |     |              | V       |
|                 |  | $I_{OH} = 1mA, V_{DD} = 2.7V$       | 2.2         |     |              | V       |
| $C_{IO}$        | Input/Output pin capacitance                             |                                     |             |     | 15           | pF      |
| $I_{IL}$        | Logical 0 input current, P0-3 <sup>6</sup>               | $V_{IN} = 0.45V$                    |             | -25 | -75          | $\mu A$ |
| $I_{LI}$        | Input leakage current, P0-3 <sup>5</sup>                 | $V_{IN} = V_{IL}$ or $V_{IH}$       |             |     | $\pm 10$     | $\mu A$ |
| $I_{TL}$        | Logical 1 to 0 transition current all ports <sup>4</sup> | At 5.5V                             |             |     | -650         | $\mu A$ |

#### NOTES:

- Ports in Quasi bi-directional mode with weak pull-up (applies to ALE, PSEN only during RESET).
- Ports in Push-Pull mode, both pull-up and pull-down assumed to be same strength
- In all output modes
- Port pins source a transition current when used in quasi-bidirectional mode and externally driven from 1 to 0. This current is highest when  $V_{IN}$  is approximately 2V.
- Measured with port in high impedance output mode.
- Measured with port in quasi-bidirectional output mode.
- Load capacitance for all outputs=80pF.
- Under steady state (non-transient) conditions,  $I_{OL}$  must be externally limited as follows:
  - Maximum  $I_{OL}$  per port pin: 15mA (\*NOTE: This is 85°C specification for  $V_{DD} = 5V$ .)
  - Maximum  $I_{OL}$  per 8-bit port: 26mA
  - Maximum total  $I_{OL}$  for all outputs: 71mA
 If  $I_{OL}$  exceeds the test condition,  $V_{OL}$  may exceed the related specification. Pins are not guaranteed to sink current greater than the listed test conditions.
- See Figures 25, 26, 29, and 30 for  $I_{DD}$  test conditions, and Figures 27 and 28 for  $I_{CC}$  vs. Frequency.
  - Max. 5V Active  $I_{DD} = (f_{osc} * 1.77 \text{ mA}) + 7 \text{ mA}$
  - Max. 5V Idle  $I_{DD} = (f_{osc} * 0.87 \text{ mA}) + 4 \text{ mA}$
  - Max. 3V Active  $I_{DD} = (f_{osc} * 0.77 \text{ mA}) + 7 \text{ mA}$
  - Max. 3V Idle  $I_{DD} = (f_{osc} * 0.54 \text{ mA}) + 4 \text{ mA}$



# XA 16-bit microcontroller family

## 32K/512 OTP/ROM/ROMless, watchdog, 2 UARTs

XA-G3

### AC ELECTRICAL CHARACTERISTICS (5V)

$V_{DD} = 4.5V$  to  $5.5V$ ;  $T_{amb} = 0$  to  $+70^{\circ}C$  for commercial,  $-40^{\circ}C$  to  $+85^{\circ}C$  for industrial.

| SYMBOL                  | FIGURE | PARAMETER  | VARIABLE CLOCK     |                    | UNIT |
|-------------------------|--------|--|--------------------|--------------------|------|
|                         |        |  | MIN                | MAX                |      |
| <b>External Clock</b>   |        |  |                    |                    |      |
| $f_C$                   |        | Oscillator frequency   | 0                  | 30                 | MHz  |
| $t_C$                   | 22     | Clock period and CPU timing cycle  | $1/f_C$            |                    | ns   |
| $t_{CHCX}$              | 22     | Clock high time  | $t_C * 0.5$        |                    | ns   |
| $t_{CLCX}$              | 22     | Clock low time   | $t_C * 0.4$        |                    | ns   |
| $t_{CLCH}$              | 22     | Clock rise time  |                    | 5                  | ns   |
| $t_{CHCL}$              | 22     | Clock fall time  |                    | 5                  | ns   |
| <b>Address Cycle</b>    |        |  |                    |                    |      |
| $t_{CRAR}$              | 21     | Delay from clock rising edge to ALE rising edge  | 10                 | 46                 | ns   |
| $t_{LHLL}$              | 16     | ALE pulse width (programmable)   | $(V1 * t_C) - 6$   |                    | ns   |
| $t_{AVLL}$              | 16     | Address valid to ALE de-asserted (set-up)  | $(V1 * t_C) - 12$  |                    | ns   |
| $t_{LLAX}$              | 16     | Address hold after ALE de-asserted   | $(t_C/2) - 10$     |                    | ns   |
| <b>Code Read Cycle</b>  |        |  |                    |                    |      |
| $t_{PLPH}$              | 16     | PSEN pulse width   | $(V2 * t_C) - 10$  |                    | ns   |
| $t_{LLPL}$              | 16     | ALE de-asserted to $\overline{PSEN}$ asserted  | $(t_C/2) - 7$      |                    | ns   |
| $t_{AVIVA}$             | 16     | Address valid to instruction valid, ALE cycle (access time)  |                    | $(V3 * t_C) - 36$  | ns   |
| $t_{AVIVB}$             | 17     | Address valid to instruction valid, non-ALE cycle (access time)                                    |                    | $(V4 * t_C) - 29$  | ns   |
| $t_{PLIV}$              | 16     | $\overline{PSEN}$ asserted to instruction valid (enable time)                                      |                    | $(V2 * t_C) - 29$  | ns   |
| $t_{PXIX}$              | 16     | Instruction hold after $\overline{PSEN}$ de-asserted   | 0                  |                    | ns   |
| $t_{PXIZ}$              | 16     | Bus 3-State after $\overline{PSEN}$ de-asserted (disable time)                                     |                    | $t_C - 8$          | ns   |
| $t_{IXUA}$              | 16     | Hold time of unlatched part of address after instruction latched                                   | 0                  |                    | ns   |
| <b>Data Read Cycle</b>  |        |  |                    |                    |      |
| $t_{RLRH}$              | 18     | $\overline{RD}$ pulse width  | $(V7 * t_C) - 10$  |                    | ns   |
| $t_{LLRL}$              | 18     | ALE de-asserted to $\overline{RD}$ asserted  | $(t_C/2) - 7$      |                    | ns   |
| $t_{AVDVA}$             | 18     | Address valid to data input valid, ALE cycle (access time)   |                    | $(V6 * t_C) - 36$  | ns   |
| $t_{AVDVB}$             | 19     | Address valid to data input valid, non-ALE cycle (access time)                                     |                    | $(V5 * t_C) - 29$  | ns   |
| $t_{RLDV}$              | 18     | $\overline{RD}$ low to valid data in, enable time  |                    | $(V7 * t_C) - 29$  | ns   |
| $t_{RHDX}$              | 18     | Data hold time after $\overline{RD}$ de-asserted   | 0                  |                    | ns   |
| $t_{RHDZ}$              | 18     | Bus 3-State after $\overline{RD}$ de-asserted (disable time)                                       |                    | $t_C - 8$          | ns   |
| $t_{DXUA}$              | 18     | Hold time of unlatched part of address after data latched  | 0                  |                    | ns   |
| <b>Data Write Cycle</b> |        |  |                    |                    |      |
| $t_{WLWH}$              | 20     | $\overline{WR}$ pulse width  | $(V8 * t_C) - 10$  |                    | ns   |
| $t_{LLWL}$              | 20     | ALE falling edge to $\overline{WR}$ asserted   | $(V12 * t_C) - 10$ |                    | ns   |
| $t_{QVWX}$              | 20     | Data valid before $\overline{WR}$ asserted (data setup time)                                       | $(V13 * t_C) - 22$ |                    | ns   |
| $t_{WHQX}$              | 20     | Data hold time after $\overline{WR}$ de-asserted (Note 6)  | $(V11 * t_C) - 5$  |                    | ns   |
| $t_{AVWL}$              | 20     | Address valid to $\overline{WR}$ asserted (address setup time) (Note 5)                            | $(V9 * t_C) - 22$  |                    | ns   |
| $t_{UAWH}$              | 20     | Hold time of unlatched part of address after $\overline{WR}$ is de-asserted                        | $(V11 * t_C) - 7$  |                    | ns   |
| <b>Wait Input</b>       |        |  |                    |                    |      |
| $t_{WTH}$               | 21     | WAIT stable after bus strobe ( $\overline{RD}$ , $\overline{WR}$ , or $\overline{PSEN}$ ) asserted |                    | $(V10 * t_C) - 30$ | ns   |
| $t_{WTL}$               | 21     | WAIT hold after bus strobe ( $\overline{RD}$ , $\overline{WR}$ , or $\overline{PSEN}$ ) assertion  | $(V10 * t_C) - 5$  |                    | ns   |

NOTES ON PAGE 24.

# XA 16-bit microcontroller family

## 32K/512 OTP/ROM/ROMless, watchdog, 2 UARTs

XA-G3

### AC ELECTRICAL CHARACTERISTICS (3V)

 $V_{DD} = 2.7V$  to  $5.5V$ ;  $T_{amb} = 0$  to  $+70^{\circ}C$  for commercial,  $-40^{\circ}C$  to  $+85^{\circ}C$  for industrial.

| SYMBOL                  | FIGURE | PARAMETER  | VARIABLE CLOCK     |                    | UNIT |
|-------------------------|--------|--|--------------------|--------------------|------|
|                         |        |  | MIN                | MAX                |      |
| <b>Address Cycle</b>    |        |  |                    |                    |      |
| $t_{CRAR}$              | 21     | Delay from clock rising edge to ALE rising edge  | 15                 | 60                 | ns   |
| $t_{LHLL}$              | 16     | ALE pulse width (programmable)   | $(V1 * t_C) - 10$  |                    | ns   |
| $t_{AVLL}$              | 16     | Address valid to ALE de-asserted (set-up)  | $(V1 * t_C) - 18$  |                    | ns   |
| $t_{LLAX}$              | 16     | Address hold after ALE de-asserted   | $(t_C/2) - 12$     |                    | ns   |
| <b>Code Read Cycle</b>  |        |  |                    |                    |      |
| $t_{PLPH}$              | 16     | PSEN pulse width   | $(V2 * t_C) - 12$  |                    | ns   |
| $t_{LLPL}$              | 16     | ALE de-asserted to PSEN asserted   | $(t_C/2) - 9$      |                    | ns   |
| $t_{AVIVA}$             | 16     | Address valid to instruction valid, ALE cycle (access time)  |                    | $(V3 * t_C) - 58$  | ns   |
| $t_{AVIVB}$             | 17     | Address valid to instruction valid, non-ALE cycle (access time)                                    |                    | $(V4 * t_C) - 52$  | ns   |
| $t_{PLIV}$              | 16     | PSEN asserted to instruction valid (enable time)   |                    | $(V2 * t_C) - 52$  | ns   |
| $t_{PXIX}$              | 16     | Instruction hold after PSEN de-asserted  | 0                  |                    | ns   |
| $t_{PXIZ}$              | 16     | Bus 3-State after PSEN de-asserted (disable time)  |                    | $t_C - 8$          | ns   |
| $t_{IXUA}$              | 16     | Hold time of unlatched part of address after instruction latched                                   | 0                  |                    | ns   |
| <b>Data Read Cycle</b>  |        |  |                    |                    |      |
| $t_{RLRH}$              | 18     | $\overline{RD}$ pulse width  | $(V7 * t_C) - 12$  |                    | ns   |
| $t_{LLRL}$              | 18     | ALE de-asserted to $\overline{RD}$ asserted  | $(t_C/2) - 9$      |                    | ns   |
| $t_{AVDVA}$             | 18     | Address valid to data input valid, ALE cycle (access time)   |                    | $(V6 * t_C) - 58$  | ns   |
| $t_{AVDVB}$             | 19     | Address valid to data input valid, non-ALE cycle (access time)                                     |                    | $(V5 * t_C) - 52$  | ns   |
| $t_{RLDV}$              | 18     | $\overline{RD}$ low to valid data in, enable time  |                    | $(V7 * t_C) - 52$  | ns   |
| $t_{RHDX}$              | 18     | Data hold time after $\overline{RD}$ de-asserted   | 0                  |                    | ns   |
| $t_{RHDZ}$              | 18     | Bus 3-State after $\overline{RD}$ de-asserted (disable time)                                       |                    | $t_C - 8$          | ns   |
| $t_{DXUA}$              | 18     | Hold time of unlatched part of address after data latched  | 0                  |                    | ns   |
| <b>Data Write Cycle</b> |        |  |                    |                    |      |
| $t_{WLWH}$              | 20     | $\overline{WR}$ pulse width  | $(V8 * t_C) - 12$  |                    | ns   |
| $t_{LLWL}$              | 20     | ALE falling edge to $\overline{WR}$ asserted   | $(V12 * t_C) - 10$ |                    | ns   |
| $t_{QVWX}$              | 20     | Data valid before $\overline{WR}$ asserted (data setup time)                                       | $(V13 * t_C) - 28$ |                    | ns   |
| $t_{WHQX}$              | 20     | Data hold time after $\overline{WR}$ de-asserted (Note 6)  | $(V11 * t_C) - 8$  |                    | ns   |
| $t_{AVWL}$              | 20     | Address valid to $\overline{WR}$ asserted (address setup time) (Note 5)                            | $(V9 * t_C) - 28$  |                    | ns   |
| $t_{UAWH}$              | 20     | Hold time of unlatched part of address after $\overline{WR}$ is de-asserted                        | $(V11 * t_C) - 10$ |                    | ns   |
| <b>Wait Input</b>       |        |  |                    |                    |      |
| $t_{WTH}$               | 21     | WAIT stable after bus strobe ( $\overline{RD}$ , $\overline{WR}$ , or $\overline{PSEN}$ ) asserted |                    | $(V10 * t_C) - 40$ | ns   |
| $t_{WTL}$               | 21     | WAIT hold after bus strobe ( $\overline{RD}$ , $\overline{WR}$ , or $\overline{PSEN}$ ) assertion  | $(V10 * t_C) - 5$  |                    | ns   |

#### NOTES:

- Load capacitance for all outputs = 80pF.
- Variables V1 through V13 reflect programmable bus timing, which is programmed via the Bus Timing registers (BTRH and BTRL). Refer to the *XA User Guide* for details of the bus timing settings.
  - This variable represents the programmed width of the ALE pulse as determined by the ALEW bit in the BTRL register.  
 $V1 = 0.5$  if the ALEW bit = 0, and  $1.5$  if the ALEW bit = 1.
  - This variable represents the programmed width of the PSEN pulse as determined by the CR1 and CR0 bits or the CRA1, CRA0, and ALEW bits in the BTRL register.
    - For a bus cycle with **no** ALE,  $V2 = 1$  if  $CR1/0 = 00$ ,  $2$  if  $CR1/0 = 01$ ,  $3$  if  $CR1/0 = 10$ , and  $4$  if  $CR1/0 = 11$ . Note that during burst mode code fetches, PSEN does not exhibit transitions at the boundaries of bus cycles.  $V2$  still applies for the purpose of determining peripheral timing requirements.
    - For a bus cycle **with** an ALE,  $V2 =$  the total bus cycle duration ( $2$  if  $CRA1/0 = 00$ ,  $3$  if  $CRA1/0 = 01$ ,  $4$  if  $CRA1/0 = 10$ , and  $5$  if  $CRA1/0 = 11$ ) minus the number of clocks used by ALE ( $V1 + 0.5$ ).  
Example: If  $CRA1/0 = 10$  and  $ALEW = 1$ , the  $V2 = 4 - (1.5 + 0.5) = 2$ .



# XA 16-bit microcontroller family

## 32K/512 OTP/ROM/ROMless, watchdog, 2 UARTs

XA-G3

- V3) This variable represents the programmed length of an entire code read cycle **with** ALE. This time is determined by the CRA1 and CRA0 bits in the BTRL register.  $V3 =$  the total bus cycle duration (2 if CRA1/0 = 00, 3 if CRA1/0 = 01, 4 if CRA1/0 = 10, and 5 if CRA1/0 = 11).
- V4) This variable represents the programmed length of an entire code read cycle with **no** ALE. This time is determined by the CR1 and CR0 bits in the BTRL register.  $V4 =$  1 if CR1/0 = 00, 2 if CR1/0 = 01, 3 if CR1/0 = 10, and 4 if CR1/0 = 11.
- V5) This variable represents the programmed length of an entire data read cycle with **no** ALE. This time is determined by the DR1 and DR0 bits in the BTRH register.  $V5 =$  1 if DR1/0 = 00, 2 if DR1/0 = 01, 3 if DR1/0 = 10, and 4 if DR1/0 = 11.
- V6) This variable represents the programmed length of an entire data read cycle **with** ALE. The time is determined by the DRA1 and DRA0 bits in the BTRH register.  $V6 =$  the total bus cycle duration (2 if DRA1/0 = 00, 3 if DRA1/0 = 01, 4 if DRA1/0 = 10, and 5 if DRA1/0 = 11).
- V7) This variable represents the programmed width of the  $\overline{RD}$  pulse as determined by the DR1 and DR0 bits or the DRA1, DRA0 in the BTRH register, and the ALEW bit in the BTRL register. Note that during a 16-bit operation on an 8-bit external bus,  $\overline{RD}$  remains low and does not exhibit a transition between the first and second byte bus cycles. V7 still applies for the purpose of determining peripheral timing requirements. The timing for the first byte is for a bus cycle with ALE, the timing for the second byte is for a bus cycle with no ALE.
- For a bus cycle with **no** ALE,  $V7 =$  1 if DR1/0 = 00, 2 if DR1/0 = 01, 3 if DR1/0 = 10, and 4 if DR1/0 = 11.
  - For a bus cycle **with** an ALE,  $V7 =$  the total bus cycle duration (2 if DRA1/0 = 00, 3 if DRA1/0 = 01, 4 if DRA1/0 = 10, and 5 if DRA1/0 = 11) minus the number of clocks used by ALE ( $V1 + 0.5$ ).
- Example: If DRA1/0 = 00 and ALEW = 0, then  $V7 = 2 - (0.5 + 0.5) = 1$ .
- V8) This variable represents the programmed width of the WRL and/or WRH pulse as determined by the WM1 bit in the BTRL register.  $V8 =$  1 if WM1 = 0, and 2 if WM1 = 1.
- V9) This variable represents the programmed address setup time for a write as determined by the data write cycle duration (defined by DW1 and DW0 or the DWA1 and DWA0 bits in the BTRH register), the WM0 bit in the BTRL register, and the value of V8.
- For a bus cycle **with** an ALE,  $V9 =$  the total bus write cycle duration (2 if DWA1/0 = 00, 3 if DWA1/0 = 01, 4 if DWA1/0 = 10, and 5 if DWA1/0 = 11) minus the number of clocks used by the WRL and/or WRH pulse (V8), minus the number of clocks used by data hold time (0 if WM0 = 0 and 1 if WM0 = 1).
- Example: If DWA1/0 = 10, WM0 = 1, and WM1 = 1, then  $V9 = 4 - 1 - 2 = 1$ .
- For a bus cycle with **no** ALE,  $V9 =$  the total bus cycle duration (2 if DW1/0 = 00, 3 if DW1/0 = 01, 4 if DW1/0 = 10, and 5 if DW1/0 = 11) minus the number of clocks used by the WRL and/or WRH pulse (V8), minus the number of clocks used by data hold time (0 if WM0 = 0 and 1 if WM0 = 1).
- Example: If DW1/0 = 11, WM0 = 1, and WM1 = 0, then  $V9 = 5 - 1 - 1 = 3$ .
- V10) This variable represents the length of a bus strobe for calculation of WAIT setup and hold times. The strobe may be  $\overline{RD}$  (for data read cycles), WRL and/or WRH (for data write cycles), or PSEN (for code read cycles), depending on the type of bus cycle being widened by WAIT.  $V10 = V2$  for WAIT associated with a code read cycle using PSEN.  $V10 = V8$  for a data write cycle using WRL and/or WRH.  $V10 = V7 - 1$  for a data read cycle using RD. This means that a single clock data read cycle cannot be stretched using WAIT. If WAIT is used to vary the duration of data read cycles, the  $\overline{RD}$  strobe width must be set to be at least two clocks in duration. Also see Note 4.
- V11) This variable represents the programmed write hold time as determined by the WM0 bit in the BTRL register.  $V11 =$  0 if the WM0 bit = 0, and 1 if the WM0 bit = 1.
- V12) This variable represents the programmed period between the end of the ALE pulse and the beginning of the WRL and/or WRH pulse as determined by the data write cycle duration (defined by the DWA1 and DWA0 bits in the BTRH register), the WM0 bit in the BTRL register, and the values of V1 and V8.  $V12 =$  the total bus cycle duration (2 if DWA1/0 = 00, 3 if DWA1/0 = 01, 4 if DWA1/0 = 10, and 5 if DWA1/0 = 11) minus the number of clocks used by the WRL and/or WRH pulse (V8), minus the number of clocks used by data hold time (0 if WM0 = 0 and 1 if WM0 = 1), minus the width of the ALE pulse (V1).
- Example: If DWA1/0 = 11, WM0 = 1, WM1 = 0, and ALEW = 1, then  $V12 = 5 - 1 - 1 - 1.5 = 1.5$ .
- V13) This variable represents the programmed data setup time for a write as determined by the data write cycle duration (defined by DW1 and DW0 or the DWA1 and DWA0 bits in the BTRH register), the WM0 bit in the BTRL register, and the values of V1 and V8.
- For a bus cycle **with** an ALE,  $V13 =$  the total bus cycle duration (2 if DWA1/0 = 00, 3 if DWA1/0 = 01, 4 if DWA1/0 = 10, and 5 if DWA1/0 = 11) minus the number of clocks used by the WRL and/or WRH pulse (V8), minus the number of clocks used by data hold time (0 if WM0 = 0 and 1 if WM0 = 1), minus the number of clocks used by ALE ( $V1 + 0.5$ ).
- Example: If DWA1/0 = 11, WM0 = 1, WM1 = 1, and ALEW = 0, then  $V13 = 5 - 1 - 2 - 1 = 1$ .
- For a bus cycle with **no** ALE,  $V13 =$  the total bus cycle duration (2 if DW1/0 = 00, 3 if DW1/0 = 01, 4 if DW1/0 = 10, and 5 if DW1/0 = 11) minus the number of clocks used by the WRL and/or WRH pulse (V8), minus the number of clocks used by data hold time (0 if WM0 = 0 and 1 if WM0 = 1).
- Example: If DW1/0 = 01, WM0 = 1, and WM1 = 0, then  $V13 = 3 - 1 - 1 = 1$ .
3. Not all combinations of bus timing configuration values result in valid bus cycles. Please refer to the XA User Guide section on the External Bus for details.
  4. When code is being fetched for execution on the external bus, a burst mode fetch is used that does not have PSEN edges in every fetch cycle. Thus, if WAIT is used to delay code fetch cycles, a change in the low order address lines must be detected to locate the beginning of a cycle. This would be A3–A0 for an 8-bit bus, and A3–A1 for a 16-bit bus. Also, a 16-bit data read operation conducted on a 8-bit wide bus similarly does not include two separate RD strobes. So, a rising edge on the low order address line (A0) must be used to trigger a WAIT in the second half of such a cycle.
  5. This parameter is provided for peripherals that have the data clocked in on the falling edge of the  $\overline{WR}$  strobe. This is not usually the case, and in most applications this parameter is not used.
  6. Please note that the XA-G3 requires that extended data bus hold time (WM0 = 1) to be used with external bus write cycles.

XA 16-bit microcontroller family  
 32K/512 OTP/ROM/ROMless, watchdog, 2 UARTs

XA-G3

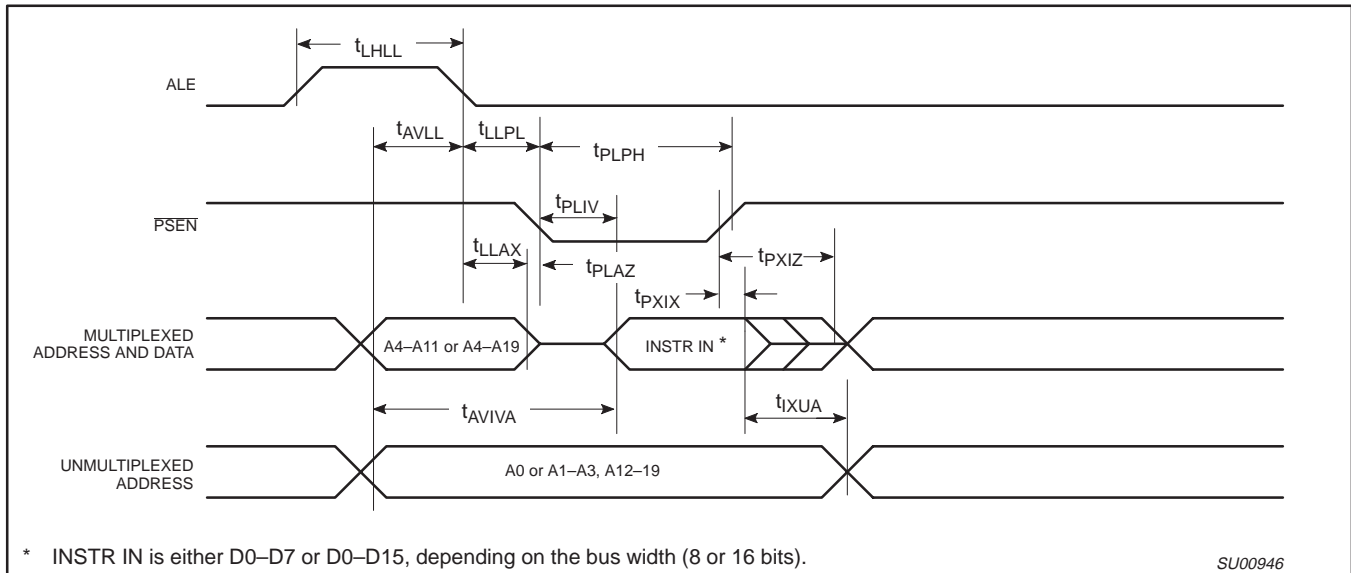


Figure 16. External Program Memory Read Cycle (ALE Cycle)

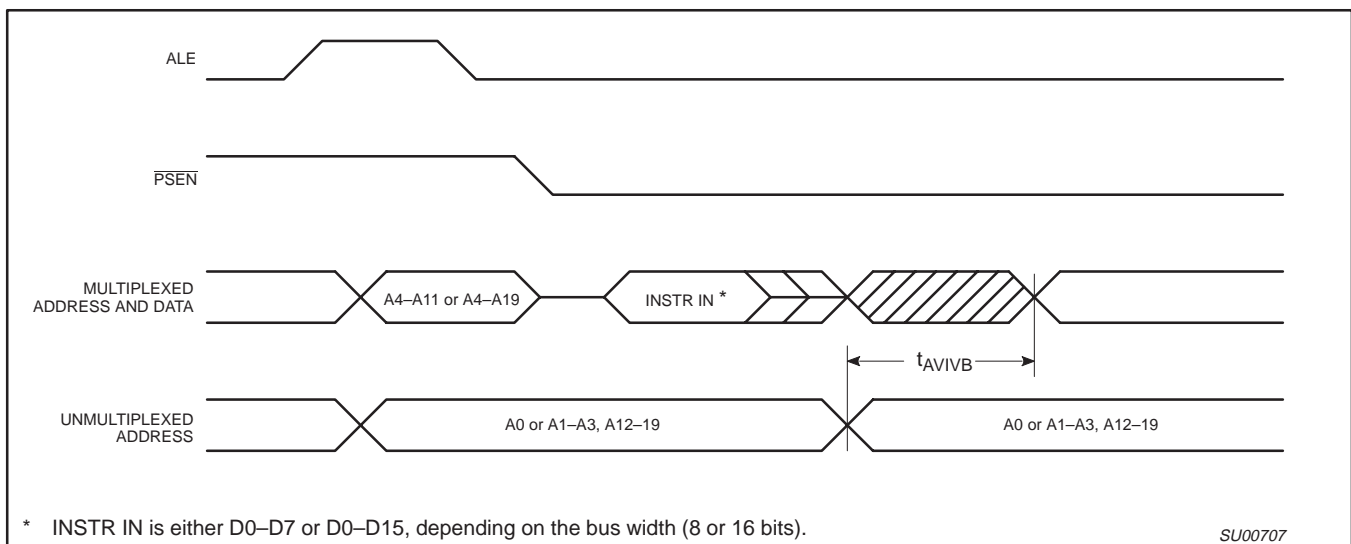


Figure 17. External Program Memory Read Cycle (Non-ALE Cycle)

XA 16-bit microcontroller family  
 32K/512 OTP/ROM/ROMless, watchdog, 2 UARTs

XA-G3

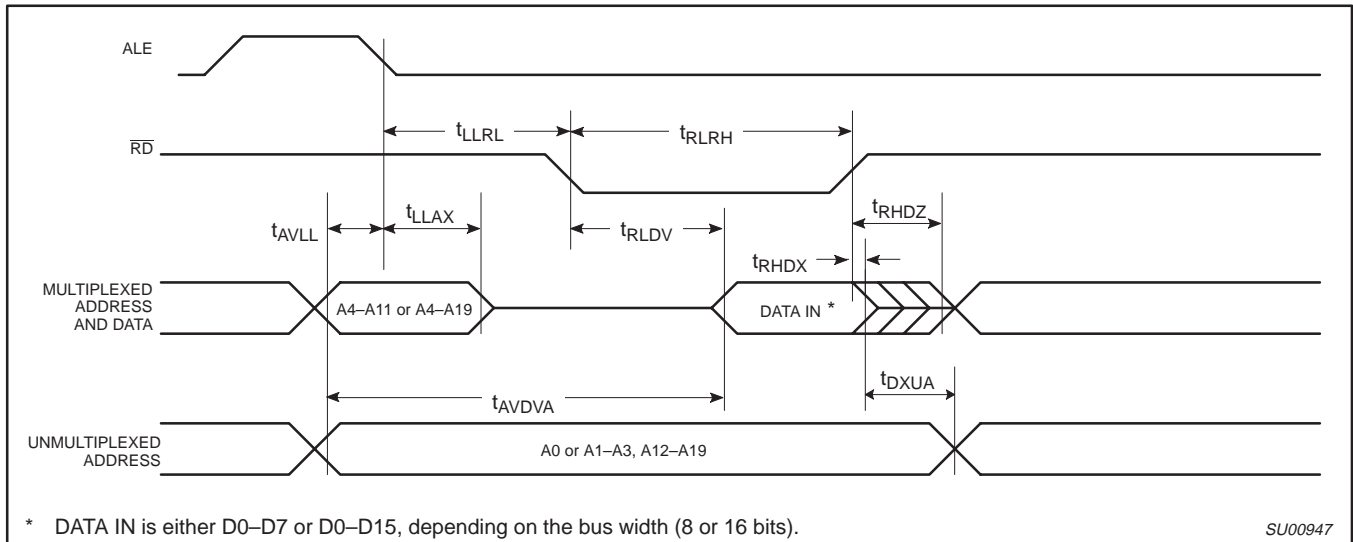


Figure 18. External Data Memory Read Cycle (ALE Cycle)

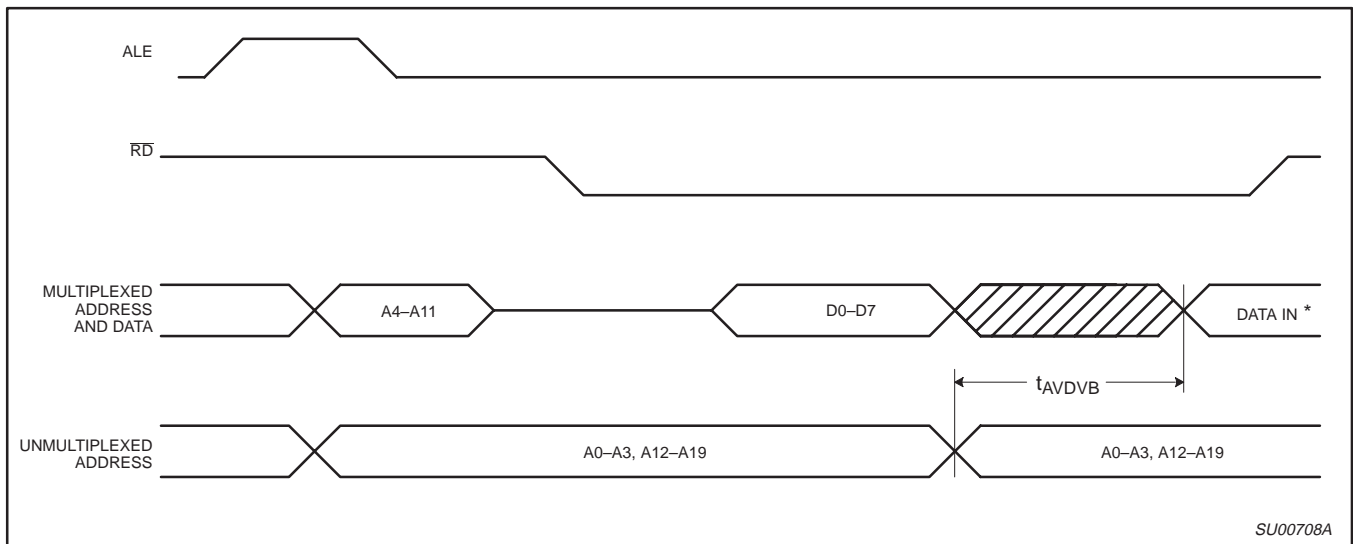


Figure 19. External Data Memory Read Cycle (Non-ALE Cycle) 8 Bit Bus Only

XA 16-bit microcontroller family  
 32K/512 OTP/ROM/ROMless, watchdog, 2 UARTs

XA-G3

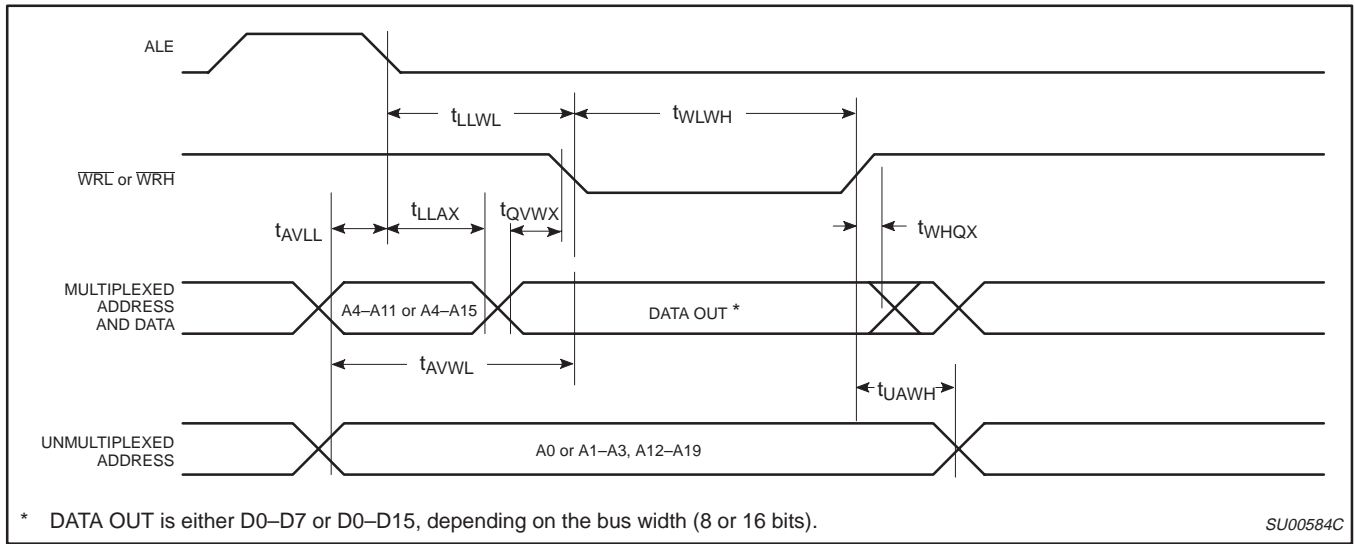


Figure 20. External Data Memory Write Cycle

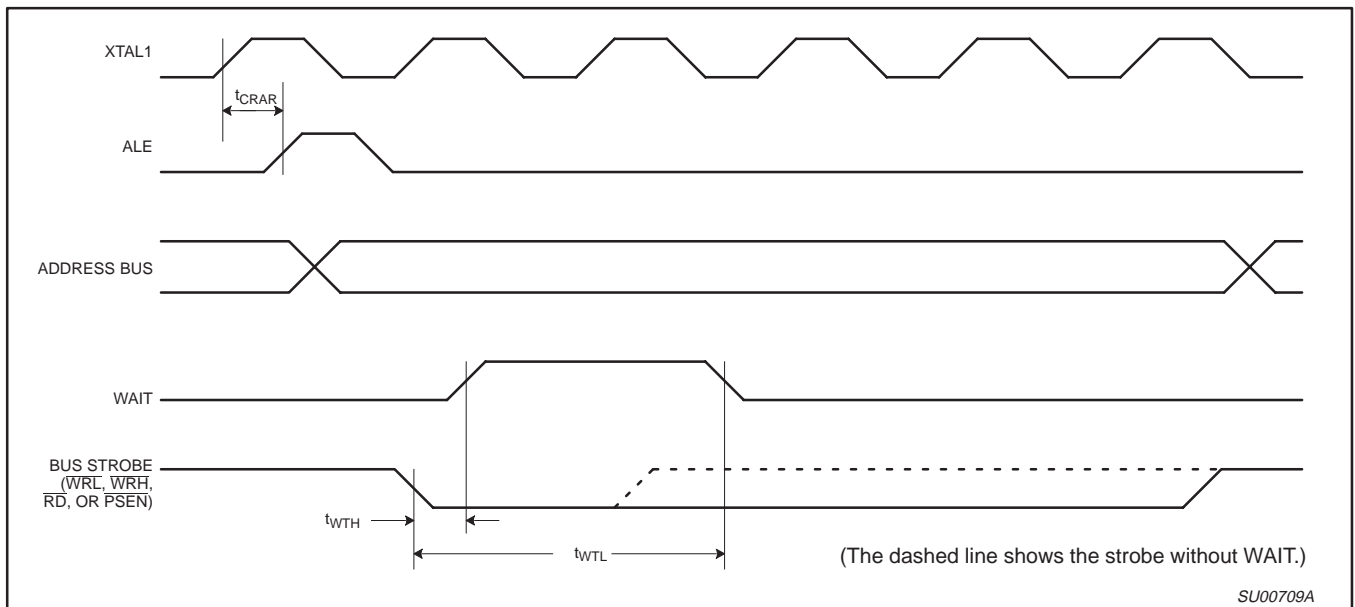


Figure 21. WAIT Signal Timing

XA 16-bit microcontroller family  
32K/512 OTP/ROM/ROMless, watchdog, 2 UARTs

XA-G3

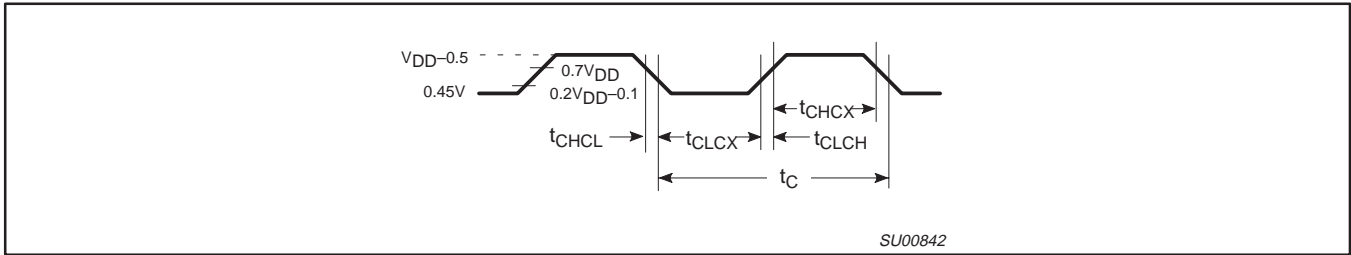


Figure 22. External Clock Drive

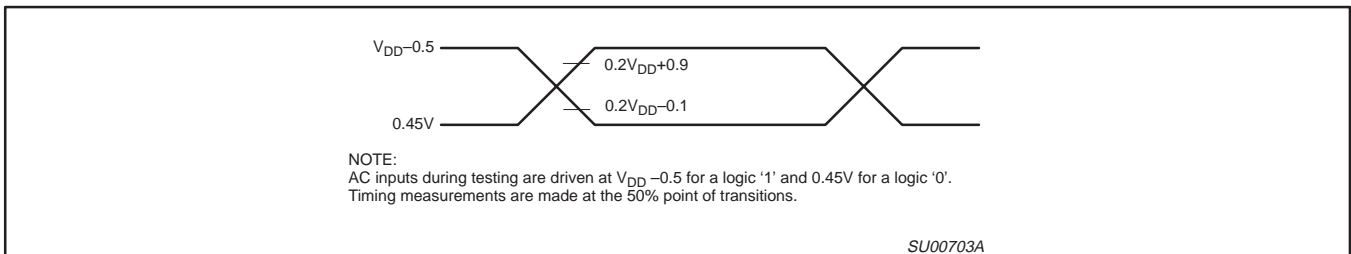


Figure 23. AC Testing Input/Output

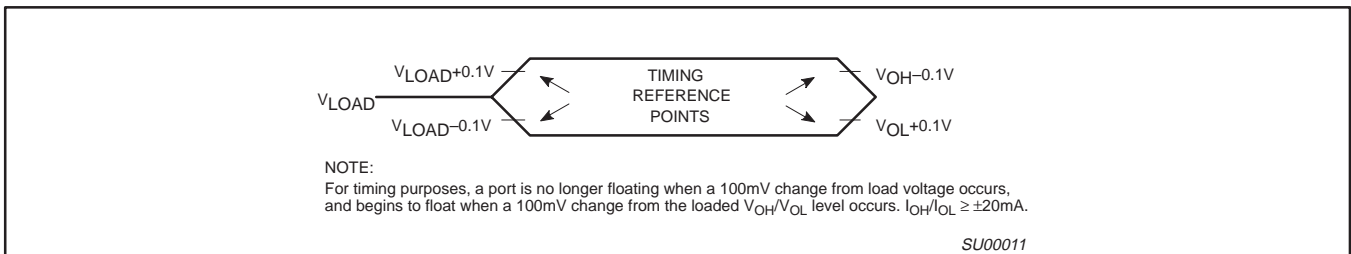


Figure 24. Float Waveform

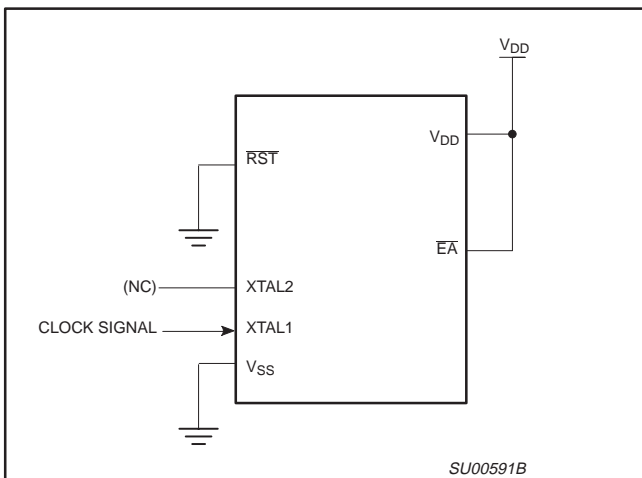


Figure 25.  $I_{DD}$  Test Condition, Active Mode  
All other pins are disconnected

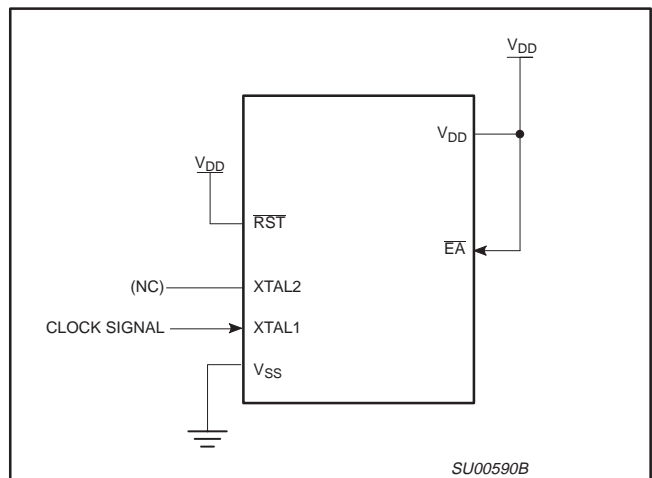
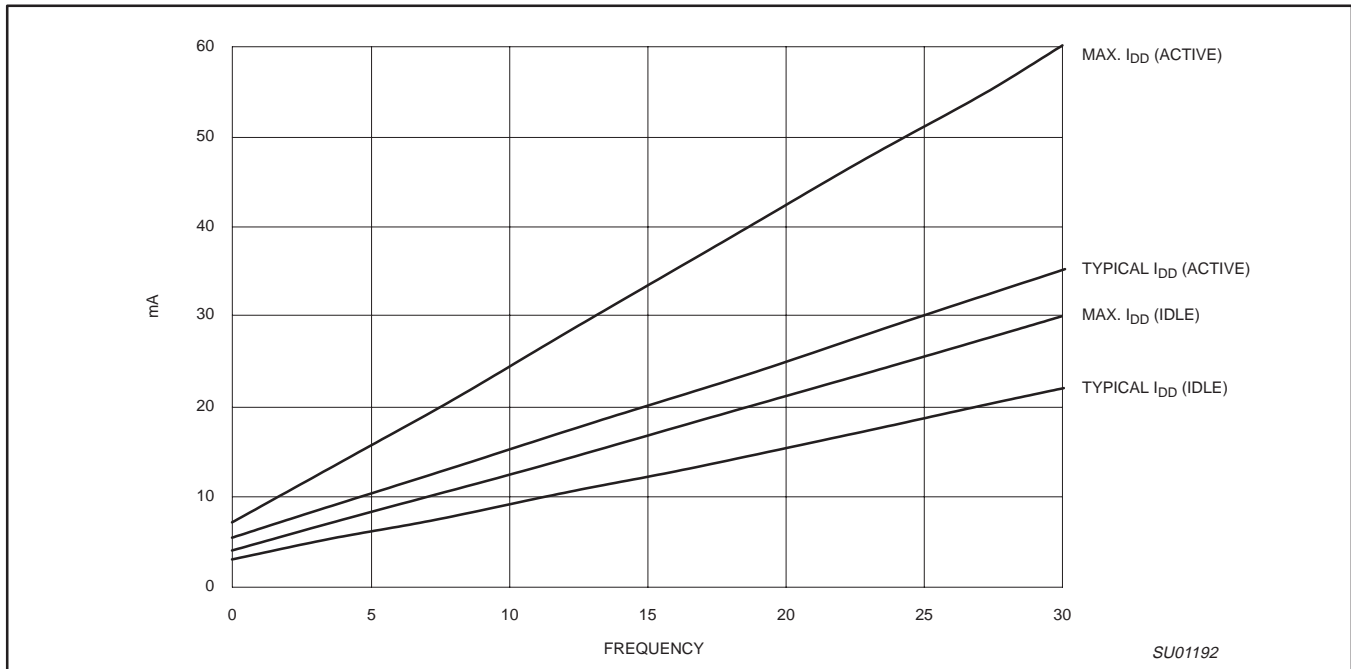


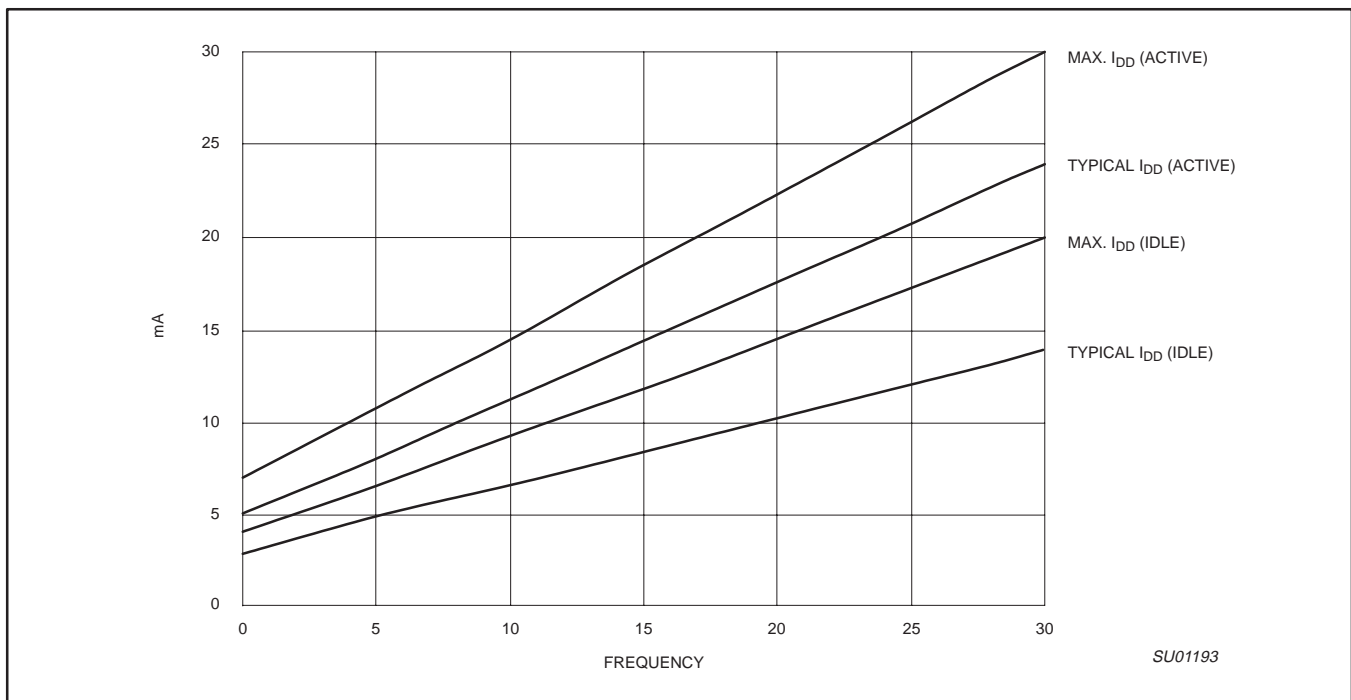
Figure 26.  $I_{DD}$  Test Condition, Idle Mode  
All other pins are disconnected

**XA 16-bit microcontroller family**  
 32K/512 OTP/ROM/ROMless, watchdog, 2 UARTs

**XA-G3**



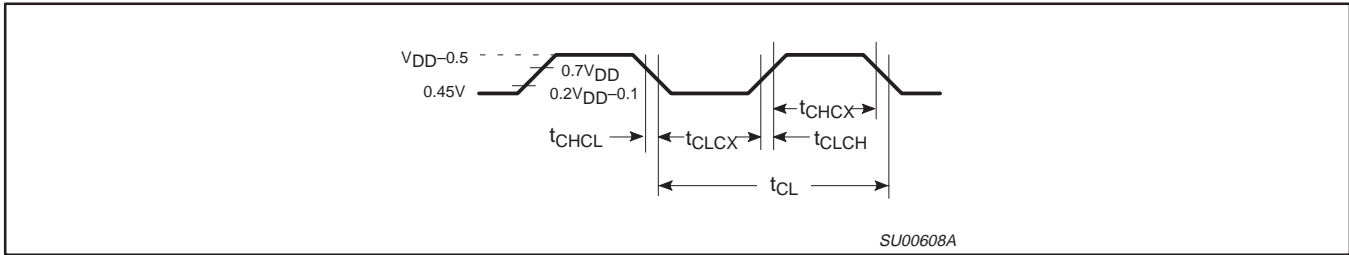
**Figure 27. I<sub>DD</sub> vs. Frequency at V<sub>DD</sub> = 5.0V**



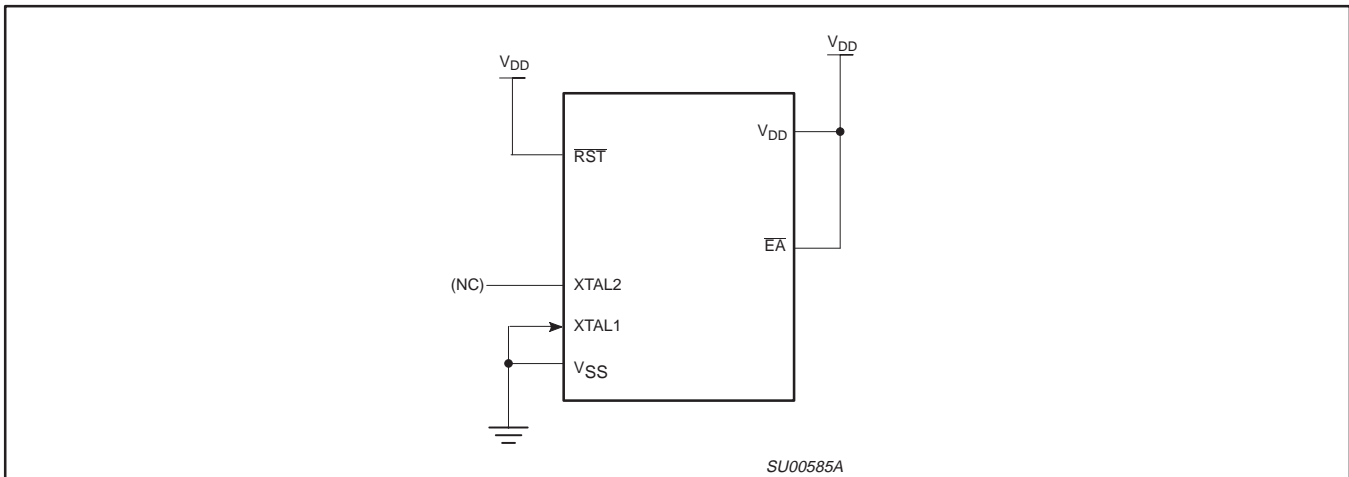
**Figure 28. I<sub>DD</sub> vs. Frequency at V<sub>DD</sub> = 3.0V**

**XA 16-bit microcontroller family**  
 32K/512 OTP/ROM/ROMless, watchdog, 2 UARTs

**XA-G3**



**Figure 29. Clock Signal Waveform for  $I_{DD}$  Tests in Active and Idle Modes**  
 $t_{CLCH} = t_{CHCL} = 5\text{ns}$



**Figure 30.  $I_{DD}$  Test Condition, Power Down Mode**  
 All other pins are disconnected.  $V_{DD}=2\text{V to }5.5\text{V}$

# XA 16-bit microcontroller family

## 32K/512 OTP/ROM/ROMless, watchdog, 2 UARTs

XA-G3

### EPROM CHARACTERISTICS

The XA-G37 is programmed by using a modified Improved Quick-Pulse Programming™ algorithm. This algorithm is essentially the same as that used by the later 80C51 family EPROM parts. However different pins are used for many programming functions.

Detailed EPROM programming information may be obtained from the internet at [www.philipsmcu.com/ftp.html](http://www.philipsmcu.com/ftp.html).

The XA-G3 contains three signature bytes that can be read and used by an EPROM programming system to identify the device. The signature bytes identify the device as an XA-Gx manufactured by Philips.

### Security Bits

With none of the security bits programmed the code in the program memory can be verified. When only security bit 1 (see Table 6) is programmed, MOVC instructions executed from external program memory are disabled from fetching code bytes from the internal memory. All further programming of the EPROM is disabled. When security bits 1 and 2 are programmed, in addition to the above, verify mode is disabled. When all three security bits are programmed, all of the conditions above apply and all external program memory execution is disabled. (See Table 6)

**Table 6. Program Security Bits**

| PROGRAM LOCK BITS |     |     |     | PROTECTION DESCRIPTION   |
|-------------------|-----|-----|-----|--|
|                   | SB1 | SB2 | SB3 |  |
| 1                 | U   | U   | U   | No Program Security features enabled.  |
| 2                 | P   | U   | U   | MOVC instructions executed from external program memory are disabled from fetching code bytes from internal memory and further programming of the EPROM is disabled. |
| 3                 | P   | P   | U   | Same as 2, also verify is disabled.  |
| 4                 | P   | P   | P   | Same as 3, external execution is disabled. Internal data RAM is not accessible.  |

**NOTES:**

1. P – programmed. U – unprogrammed.
2. Any other combination of the security bits is not defined.

### ROM CODE SUBMISSION

When submitting ROM code for the XA-G33, the following must be specified:

1. 32k bytes user ROM data.
2. ROM security bits.

| ADDRESS        | CONTENT      | BIT(S) | COMMENT   |
|----------------|--------------|--------|---|
| 0000H to 7FFFH | DATA         | 7:0    | User ROM Data   |
| 8020H          | SECURITY BIT | 0      | ROM Security Bit 1<br>0 = enable security<br>1 = disable security |
| 8020H          | SECURITY BIT | 1      | ROM Security Bit 2<br>0 = enable security<br>1 = disable security |
| 8020H          | SECURITY BIT | 3      | ROM Security Bit 3<br>0 = enable security<br>1 = disable security |

™Trademark phrase of Intel Corporation.

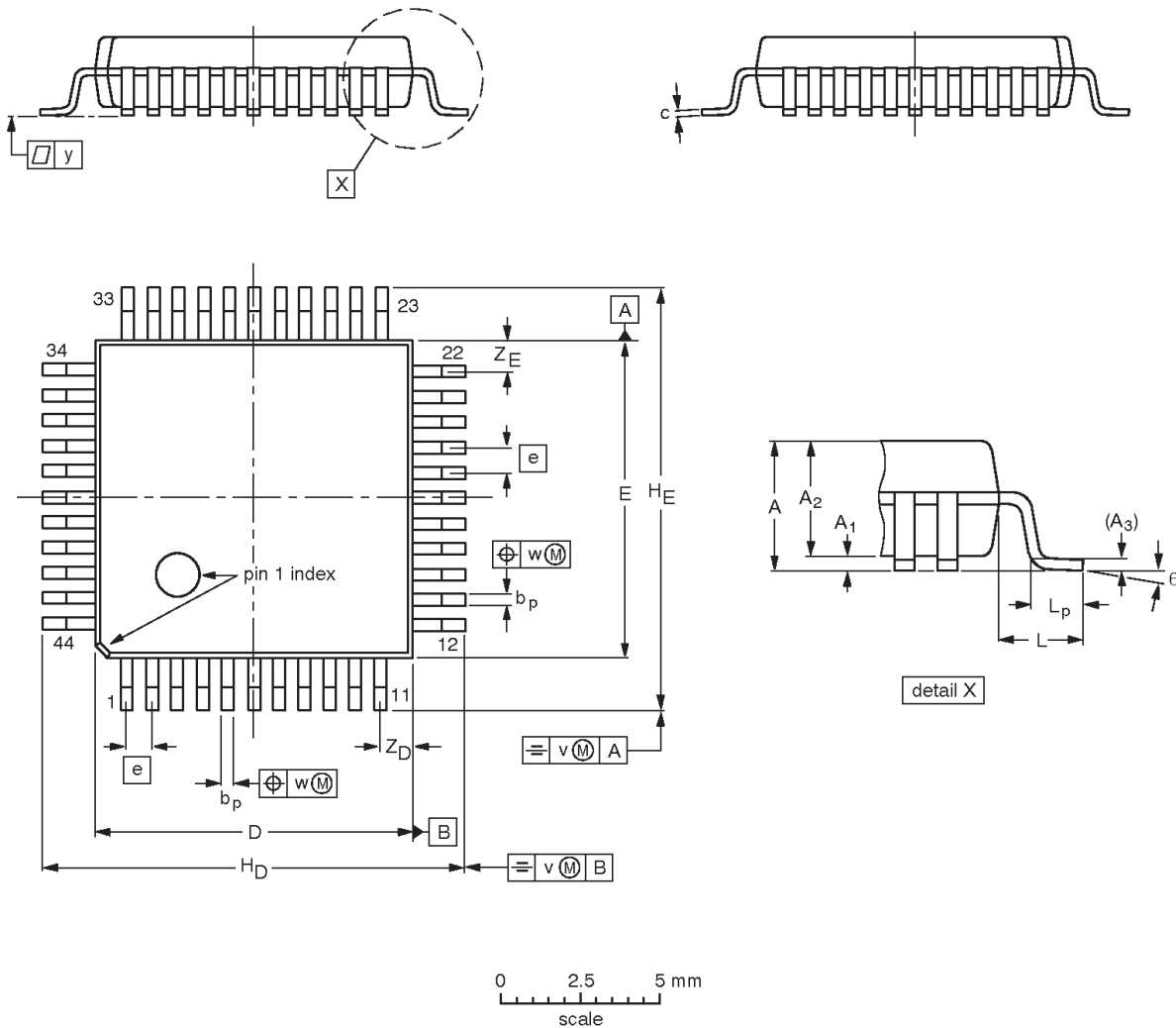


XA 16-bit microcontroller family  
32K/512 OTP/ROM/ROMless, watchdog, 2 UARTs

XA-G3

LQFP44: plastic low profile quad flat package; 44 leads; body 10 x 10 x 1.4 mm

SOT389-1



**DIMENSIONS (mm are the original dimensions)**

| UNIT | A max. | A <sub>1</sub> | A <sub>2</sub> | A <sub>3</sub> | b <sub>p</sub> | c            | D <sup>(1)</sup> | E <sup>(1)</sup> | e    | H <sub>D</sub> | H <sub>E</sub> | L   | L <sub>p</sub> | v    | w    | y    | Z <sub>D</sub> <sup>(1)</sup> | Z <sub>E</sub> <sup>(1)</sup> | θ        |
|------|--------|----------------|----------------|----------------|----------------|--------------|------------------|------------------|------|----------------|----------------|-----|----------------|------|------|------|-------------------------------|-------------------------------|----------|
| mm   | 1.60   | 0.15<br>0.05   | 1.45<br>1.35   | 0.25           | 0.45<br>0.30   | 0.20<br>0.12 | 10.10<br>9.90    | 10.10<br>9.90    | 0.80 | 12.15<br>11.85 | 12.15<br>11.85 | 1.0 | 0.75<br>0.45   | 0.20 | 0.20 | 0.10 | 1.14<br>0.85                  | 1.14<br>0.85                  | 7°<br>0° |

**Note**

1. Plastic or metal protrusions of 0.25 mm maximum per side are not included.

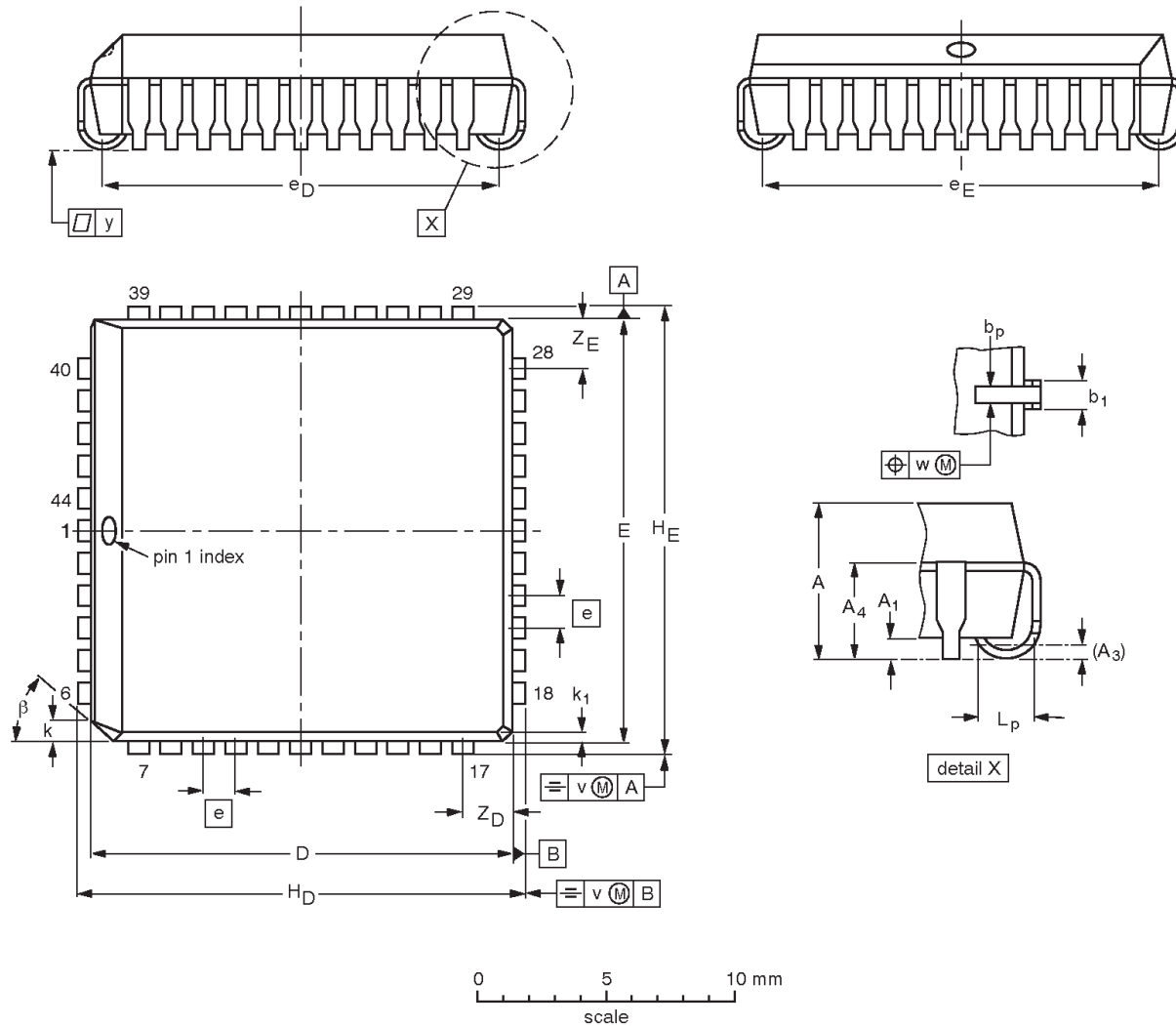
| OUTLINE VERSION | REFERENCES |       |      |  | EUROPEAN PROJECTION | ISSUE DATE           |
|-----------------|------------|-------|------|--|---------------------|----------------------|
|                 | IEC        | JEDEC | EIAJ |  |                     |                      |
| SOT389-1        |            |       |      |  |                     | 95-12-19<br>97-08-04 |

XA 16-bit microcontroller family  
32K/512 OTP/ROM/ROMless, watchdog, 2 UARTs

XA-G3

PLCC44: plastic leaded chip carrier; 44 leads

SOT187-2



DIMENSIONS (millimetre dimensions are derived from the original inch dimensions)

| UNIT   | A              | A <sub>1</sub><br>min. | A <sub>3</sub> | A <sub>4</sub><br>max. | b <sub>p</sub> | b <sub>1</sub> | D <sup>(1)</sup> | E <sup>(1)</sup> | e    | e <sub>D</sub> | e <sub>E</sub> | H <sub>D</sub> | H <sub>E</sub> | k              | k <sub>1</sub><br>max. | L <sub>p</sub> | v     | w     | y     | Z <sub>D</sub> <sup>(1)</sup><br>max. | Z <sub>E</sub> <sup>(1)</sup><br>max. | β   |
|--------|----------------|------------------------|----------------|------------------------|----------------|----------------|------------------|------------------|------|----------------|----------------|----------------|----------------|----------------|------------------------|----------------|-------|-------|-------|---------------------------------------|---------------------------------------|-----|
| mm     | 4.57<br>4.19   | 0.51                   | 0.25           | 3.05                   | 0.53<br>0.33   | 0.81<br>0.66   | 16.66<br>16.51   | 16.66<br>16.51   | 1.27 | 16.00<br>14.99 | 16.00<br>14.99 | 17.65<br>17.40 | 17.65<br>17.40 | 1.22<br>1.07   | 0.51                   | 1.44<br>1.02   | 0.18  | 0.18  | 0.10  | 2.16                                  | 2.16                                  | 45° |
| inches | 0.180<br>0.165 | 0.020                  | 0.01           | 0.12                   | 0.021<br>0.013 | 0.032<br>0.026 | 0.656<br>0.650   | 0.656<br>0.650   | 0.05 | 0.630<br>0.590 | 0.630<br>0.590 | 0.695<br>0.685 | 0.695<br>0.685 | 0.048<br>0.042 | 0.020                  | 0.057<br>0.040 | 0.007 | 0.007 | 0.004 | 0.085                                 | 0.085                                 |     |

Note

1. Plastic or metal protrusions of 0.01 inches maximum per side are not included.

| OUTLINE VERSION | REFERENCES |          |      |  | EUROPEAN PROJECTION | ISSUE DATE           |
|-----------------|------------|----------|------|--|---------------------|----------------------|
|                 | IEC        | JEDEC    | EIAJ |  |                     |                      |
| SOT187-2        | 112E10     | MO-047AC |      |  |                     | 95-02-25<br>97-12-16 |

---

**XA 16-bit microcontroller family**  
32K/512 OTP/ROM/ROMless, watchdog, 2 UARTs

---

**XA-G3**

**NOTES**

# XA 16-bit microcontroller family

## 32K/512 OTP/ROM/ROMless, watchdog, 2 UARTs

XA-G3

### Data sheet status

| Data sheet status         | Product status | Definition [1]   |
|---------------------------|----------------|--|
| Objective specification   | Development    | This data sheet contains the design target or goal specifications for product development. Specification may change in any manner without notice.  |
| Preliminary specification | Qualification  | This data sheet contains preliminary data, and supplementary data will be published at a later date. Philips Semiconductors reserves the right to make changes at any time without notice in order to improve design and supply the best possible product. |
| Product specification     | Production     | This data sheet contains final specifications. Philips Semiconductors reserves the right to make changes at any time without notice in order to improve design and supply the best possible product.   |

[1] Please consult the most recently issued datasheet before initiating or completing a design.

### Definitions

**Short-form specification** — The data in a short-form specification is extracted from a full data sheet with the same type number and title. For detailed information see the relevant data sheet or data handbook.

**Limiting values definition** — Limiting values given are in accordance with the Absolute Maximum Rating System (IEC 134). Stress above one or more of the limiting values may cause permanent damage to the device. These are stress ratings only and operation of the device at these or at any other conditions above those given in the Characteristics sections of the specification is not implied. Exposure to limiting values for extended periods may affect device reliability.

**Application information** — Applications that are described herein for any of these products are for illustrative purposes only. Philips Semiconductors make no representation or warranty that such applications will be suitable for the specified use without further testing or modification.

### Disclaimers

**Life support** — These products are not designed for use in life support appliances, devices or systems where malfunction of these products can reasonably be expected to result in personal injury. Philips Semiconductors customers using or selling these products for use in such applications do so at their own risk and agree to fully indemnify Philips Semiconductors for any damages resulting from such application.

**Right to make changes** — Philips Semiconductors reserves the right to make changes, without notice, in the products, including circuits, standard cells, and/or software, described or contained herein in order to improve design and/or performance. Philips Semiconductors assumes no responsibility or liability for the use of any of these products, conveys no license or title under any patent, copyright, or mask work right to these products, and makes no representations or warranties that these products are free from patent, copyright, or mask work right infringement, unless otherwise specified.

Philips Semiconductors  
811 East Arques Avenue  
P.O. Box 3409  
Sunnyvale, California 94088-3409  
Telephone 800-234-7381

© Copyright Philips Electronics North America Corporation 1999  
All rights reserved. Printed in U.S.A.

Date of release: 04-99

Document order number:

9397 750 05538

*Let's make things better.*

Philips  
Semiconductors



**PHILIPS**