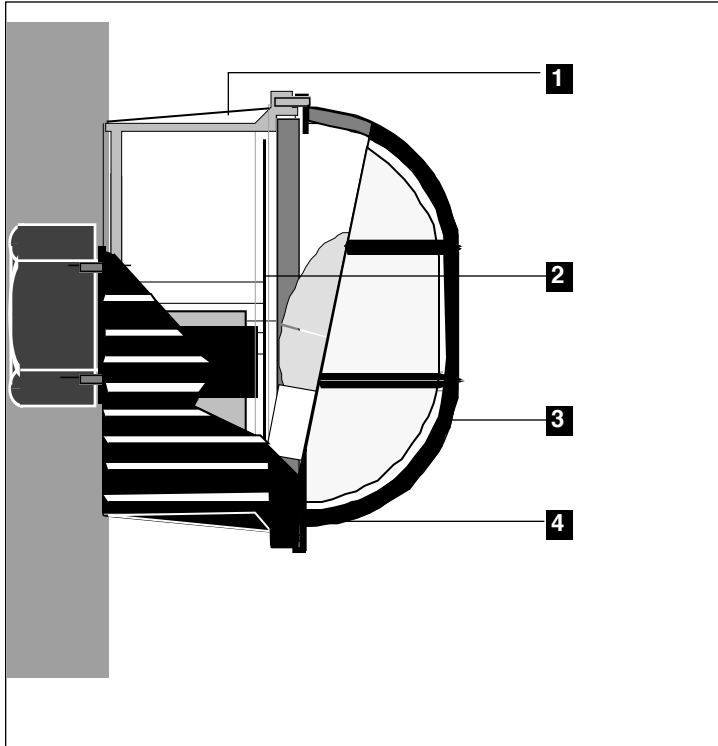


### Specification

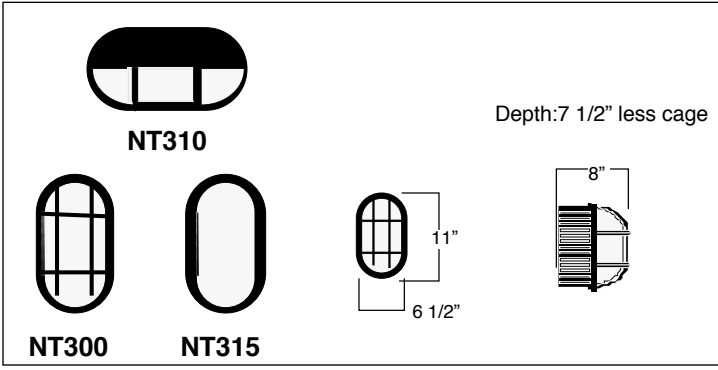
### NT300 . NT310 . NT315



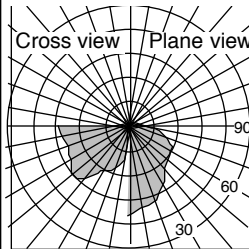
All exposed cast aluminum components are made of non corrosive pure aluminum copper free (Aluminum is less than .1% copper content.#356 alloy.)  
 Finish: All polyester powder baked coatings preceded with a 5 baths preparation process. Meets military grade MIL-C781706 with a 2000 hours salt spray test.

- Pulse rated medium base porcelain socket.
- 75W/600V thermoplastic compact fluorescent socket.
- One-piece molded silicone gasket with memory retention.
- High power factor CWA ballast. Or 98% P.F.electronic smart ballast with end of life detection for compact fluorescent.
- All stainless steel hardware.
- All Moving and removable parts are sealed with a memory retention silicone gasket.

- 1- Closed cast aluminum housing.
- 2- Semi-specular aluminum reflector, with horizontal lamp position to provide uniform light on the diffuser.
- 3- Borosilicate frosted glass diffuser with internal concentric reinforcement prismatic pattern.
- 4- Selection of various glass ring and glass shields.  
**NT300:** One piece cast aluminum cross cage.  
**NT310:** One piece cast aluminum eyelid.  
**NT315:** Full glass lens with cast aluminum retainer ring.



### Photometry



Separate updated technical specification sheets with related models and light sources with I.E.S formatted photometry are available on [www.luminis.com](http://www.luminis.com).

### Certification

UL. Wet Location.

### Mounting

Max. Max. weight: 15 lbs. Installation: Mounts over a standard 4" octagonal electrical box with 3 1/2" c/c mounting holes.

For options details and specifications, please refer to page 72

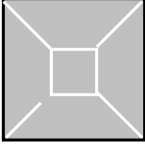
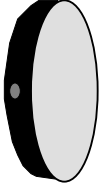

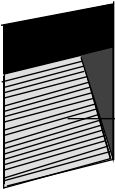
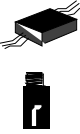






Model#	Light source selection	Voltage	Finish	Options	
<input type="checkbox"/> NT300 <input type="checkbox"/> NT310 <input type="checkbox"/> NT315	<b>MH (ED17)</b> <input type="checkbox"/> M50 <input type="checkbox"/> M70 <input type="checkbox"/> M100 <b>HPS (ED17)</b> <input type="checkbox"/> H50 <input type="checkbox"/> H70 <input type="checkbox"/> H100 <b>INC. (A19)</b> <input type="checkbox"/> A100 (Lamps by others)	<b>CF (Gx24q)</b> <b>Single lamp</b> <input type="checkbox"/> F118 <input type="checkbox"/> F126 <input type="checkbox"/> F132 <input type="checkbox"/> F142 <b>CF (Gx24q)</b> <b>Two lamps</b> <input type="checkbox"/> F218 <input type="checkbox"/> F226 <input type="checkbox"/> F232	<b>120 V</b> Standard factory prewired (If no voltage is specified) For other voltages, please specify with catalog number. <b>H.I.D.</b> <input type="checkbox"/> 208 V <input type="checkbox"/> 240 V <input type="checkbox"/> 277 V <input type="checkbox"/> 347 V Note: 50W.HPS is available with 120/277V only. <b>COMP. FLUO.</b> <b>Smart ballast 120/277</b> <input type="checkbox"/> 347 V (To specify)	(Refer to color chart) <b>Standard selection</b> <input type="checkbox"/> <b>WHT:</b> Snow white <input type="checkbox"/> <b>BKT:</b> Jet black <input type="checkbox"/> <b>BZT:</b> Bronze <input type="checkbox"/> <b>GRT:</b> Titanium gray <input type="checkbox"/> <b>DGT:</b> Gun metal <input type="checkbox"/> <b>CHT:</b> Champagne <input type="checkbox"/> <b>MST:</b> Matte silver <input type="checkbox"/> <b>GNT:</b> Forest green <b>Optional colors</b> <input type="checkbox"/> <b>CS:</b> Custom color <input type="checkbox"/> <b>RAL:</b> RAL# color	<input type="checkbox"/> <b>PCO:</b> Polycarbonate lens diffuser. (Max.50W) <b>Electrical</b> <input type="checkbox"/> <b>EM42S:</b> 1 lamp (26/32/42W) <input type="checkbox"/> <b>FS:</b> Fuse <input type="checkbox"/> <b>PH1:</b> 120V photo cell <input type="checkbox"/> <b>PH2:</b> 208/277V photo cell <input type="checkbox"/> <b>QS:</b> Standby lamp socket. <input type="checkbox"/> <b>QRS:</b> H.I.D. lamp restrike Note: EM optional battery test switch and pilot lamp are remotely installed.

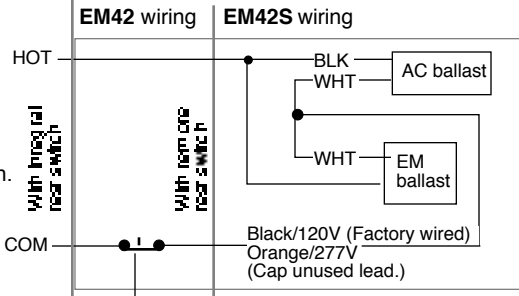
Luminaires may be altered for design improvements or discontinued without prior notice.

**General notes:**

Please specify selected option as a suffix to the specified model number. ex:NT100-M100-WHT-PC1

Each model is provided with a listing of compatible options. Some options may not be compatible when used in the same luminaire. This information is indicated when it is applicable.

<p><b>Square lens Diffuser.</b></p> <p>Option: <b>PC6</b></p>  <p>High impact acrylic lens diffuser. Max: 50W</p>	<p><b>Surface connection box</b></p> <p>Option: <b>SWK</b></p>  <p>1 1/2" deep luminaire matching connection box for surface conduit feed. (2) 7/8" dia. K.O. @ 180 deg.</p>	<p><b>White translucent round diffuser.</b></p> <p>Option: <b>PC1</b></p>  <p>Polycarbonate lens diffuser Max: 50W</p>	<p><b>Alternate regressed reflector.</b></p> <p>Option: <b>R2</b></p>  <p>Satin anodized corrugated reflector surface.</p>
<p><b>Quartz lamp restrike</b></p> <p>Option: <b>QRS</b></p>  <p>Quartz restrike standby lamp kit max. 100w DC bayonet type</p>	<p><b>Ceiling surface mounting</b></p> <p>Option: <b>C</b></p>  <p>Ceiling surface mount conversion kit. Maximum wattage 2x32w compact fluorescent. (factory installed.)</p>	<p><b>White translucent round diffuser.</b></p> <p>Option: <b>PC2</b></p>  <p>High impact acrylic lens diffuser. Max: 50W</p>	<p><b>White translucent oblong diffuser.</b></p> <p>Option: <b>PCO</b></p>  <p>Polycarbonate lens diffuser Max: 50W</p>
<p><b>In line fuse</b></p> <p>Option: <b>FS</b></p>  <p>3 Amps. in line protection fuse, factory installed with the pole or inside fixture when pole is not required.</p>			
<p><b>Light photo sensor</b></p> <p>Option: <b>PH1 -120V</b> <b>PH2 - 208/277V</b></p>  <p>Photo electric sensor, factory installed with the pole or inside fixture when pole is not required.</p>	<p><b>Emergency line quartz lamp</b></p> <p>Option: <b>QS</b></p>  <p>Quartz lamp socket for separate emergency line. Max. 100w DC bayonet type</p>		

<p><b>Emergency battery back-up</b></p> <p><b>EM42 / EM42S</b></p> <p>One lamp:</p> <p>26w: 450 Lmns.. 32w: 575 Lmns.. 42w: 750 Lmns.</p> <p>Time: 90 Mnts -120/277V / T 0° C</p> <p>For 57w &amp; 70w: (Remote installation only) Consult factory</p>	<p>EM Ballast wiring diagram for 120V factory connection.</p>	 <p>EM42 wiring   EM42S wiring</p> <p>With integral test switch   With remote test switch</p> <p>BLK - AC ballast WHT - EM ballast</p> <p>Black/120V (Factory wired) Orange/277V (Cap unused lead.)</p> <p>Single pole test switch (Breaking the connection)</p>	<p>Note:</p> <p>EM42 option is supplied with integral test switch and pilot light.</p> <p>EM42S is supplied with additional wiring for external remotely installed test switch and pilot light.</p> <p>Please refer to luminaire specification sheet option listing.</p>
--------------------------------------------------------------------------------------------------------------------------------------------------------------------------------------------------------------------------------------------------------------------	---------------------------------------------------------------	--------------------------------------------------------------------------------------------------------------------------------------------------------------------------------------------------------------------------------------------------------------------------------------------------------------------------------------------------------------	--------------------------------------------------------------------------------------------------------------------------------------------------------------------------------------------------------------------------------------------------------------------------

Luminaires may be altered for design improvements or discontinued without prior notice.

LUMINIS [ USA ] - 3555 NW 53rd Court, Fort Lauderdale, FL.33309  
LUMINIS [ Canada ] - 87 C Brunswick D.D.O. Q.C. Canada H9B 2J5

Tel: 954 .717 .4155 Fax: 954 . 717.4157  
Toll free: 888 .401 .6999

Web: www.luminis.com  
Sept. 2006 Rev. Feb.2008