

“LAN-MATE” SERIES
SINGLE RJ45 CONNECTOR MODULE WITH INTEGRATED
10 BASE-T MAGNETICS & XLEDs

- RJ-45 connector integrated with X'FMR
- Size same as RJ-45 connector to save PCB board space
- Reduce EMI radiation, Improve EMI performances
- Complies with IEEE 802.3 standards
- Operating temperature range: 0°C to +70°C
- Storage temperature range: -40°C to +85°C



Electrical Specifications @25°C

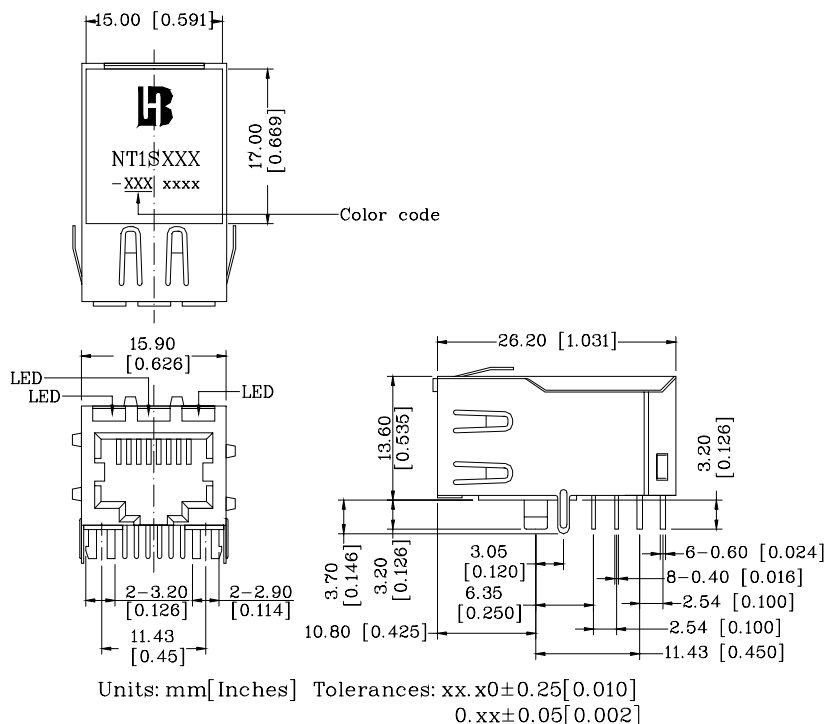
Part Number	Turn Ratio (±5%)		Inductance (uH Min)	Leakage Inductance (uH Max)	Cw/w (pF Max)	DCR (Ω Max)	HI-POT (Vrms)	CMR Choke OCL (uH Typ)
	TX	RX						
NT1S001-XXX	1CT:1.414CT	1:1	200 @ 100KHz/0.2Vrms	0.5	14	-	1500	-
NT1S010-XXX	1CT:1.41	1CT:1	140 @ 100KHz/0.2Vrms	0.4	20	-	1500	-
NT1S011-XXX	1CT:1.41	1CT:1	140 @ 100KHz/0.2Vrms	0.3	20	-	1500	-
NT1S014-XXX	1CT:1.41	1:1	140 @ 100KHz/0.2Vrms	0.3	20	0.5 Ω Pin (P6,P7),(P4,P5) 1.0 Ω Pin (J1,J2),(J3,J6)	1500	30
NT1S021-XXX	1CT:2	1CT:1	140 @ 100KHz/50mVrms	0.4	15	0.3	2000	30
NT1S022-XXX	1CT:2	1CT:1	140 @ 100KHz/0.2Vrms	0.3	9	0.6	1500	-
NT1S023-XXX	1CT:2.5	1CT:1	200 @ 100KHz/0.2Vrms	0.5	20	-	1500	-
NT1S023A-XXX	1CT:2.5	1CT:1	200 @ 100KHz/0.2Vrms	0.5	20	-	1500	-
NT1S024-XXX	1CT:2.5	1CT:1	350 @ 100KHz/0.2Vrms	0.8	30	-	1500	-
NT1S025-XXX	1CT:2	1CT:1	100±20%@100KHz/0.2Vrms	0.3	9	-	1500	-
NT1S103-XXX	1CT:1		200	0.2	10	0.3	2000	-
NT1S104-XXX	1CT:1		100±20%	0.3	9	0.3Pin(3-1)&(8-6)	2000	-

Color code	1	3	4	Empty
LED Color	Red	Yellow	Green	No LED

“LAN-MATE” SERIES
SINGLE RJ45 CONNECTOR MODULE WITH INTEGRATED
10 BASE-T MAGNETICS & XLEDs

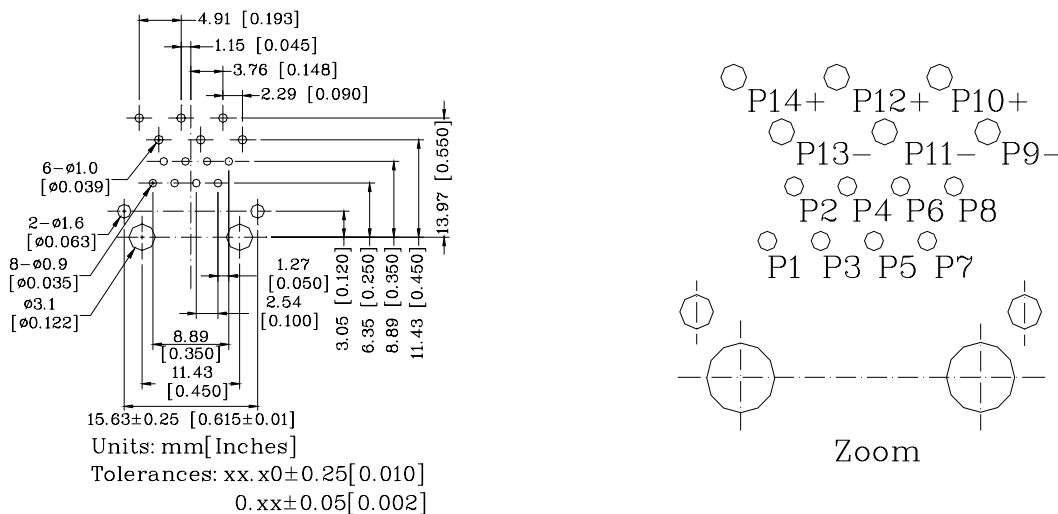
Mechanicals

NT1SXXX-XXX



- Physical char :
1. Plastic Material : PBT 15% Glass Filled(UL 94V-0) , Black Housing
 2. Metal Shield : Brass C2680-H, 20u Nickel Plated, t=0.25mm
 3. Spring Wire : 0.45mm Dia. Phosphor bronze over with 6u gold plated
 4. Solder Pin : 0.4x0.4mm, Phosphor bronze with solder Solder plated
 5. Durability : 300 Mating cycles Min.

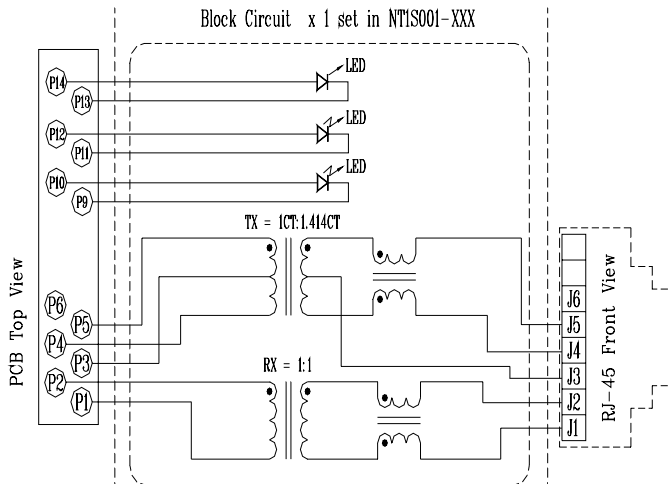
PCB Layout Mounting Hole (Top View)



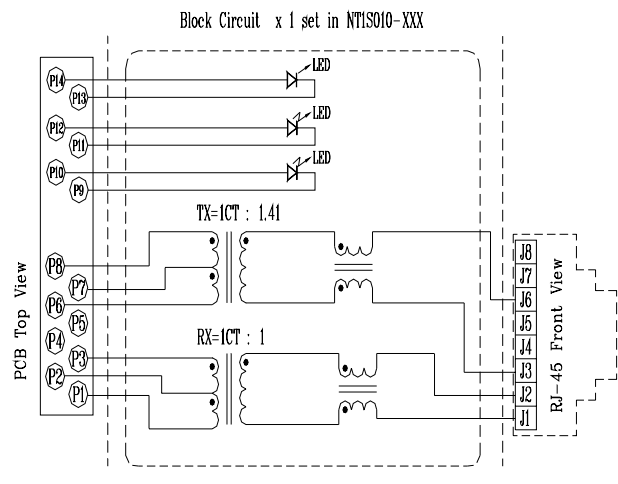
**“LAN-MATE” SERIES
SINGLE RJ45 CONNECTOR MODULE WITH INTEGRATED
10 BASE-T MAGNETICS & XLEDs**

Schematics

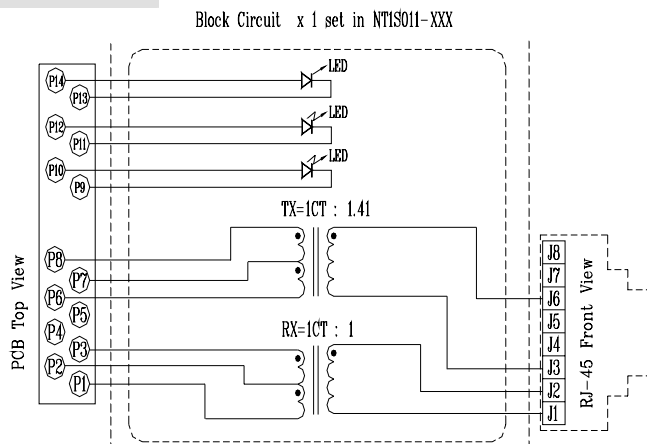
NT1S001-XXX



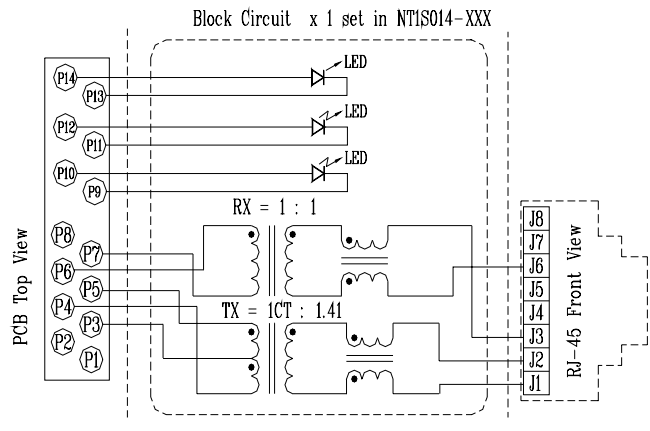
NT1S010-XXX



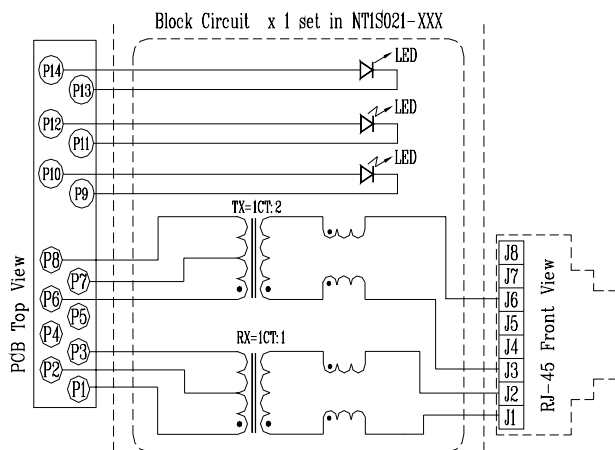
NT1S011-XXX



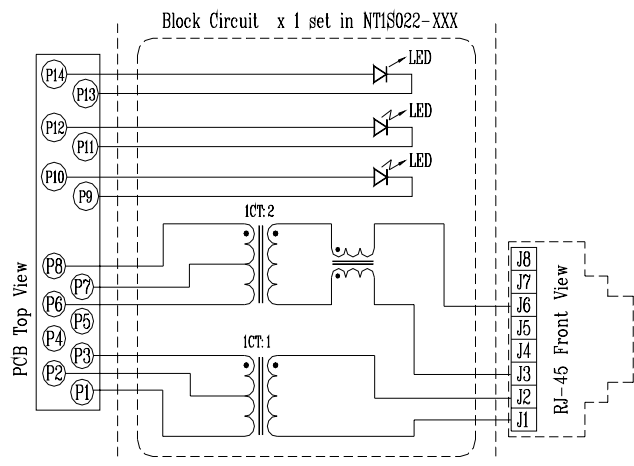
NT1S014-XXX



NT1S021-XXX

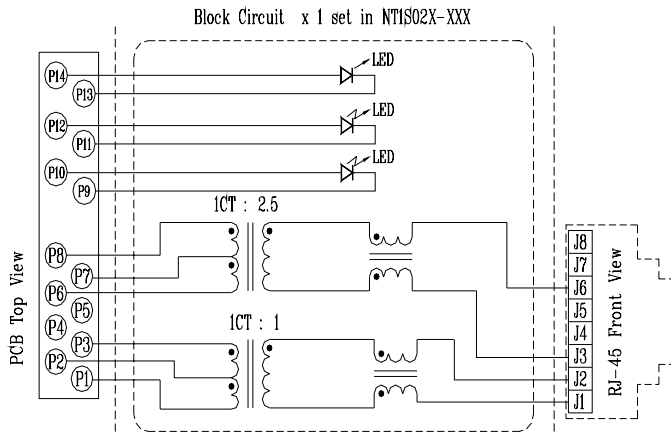


NT1S022-XXX

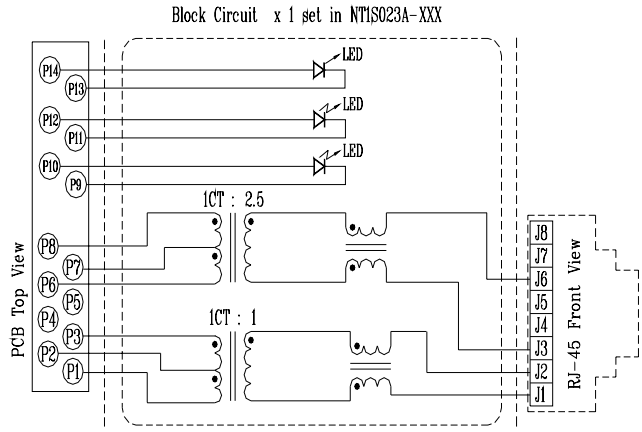


“LAN-MATE” SERIES
SINGLE RJ45 CONNECTOR MODULE WITH INTEGRATED
10 BASE-T MAGNETICS & XLEDs

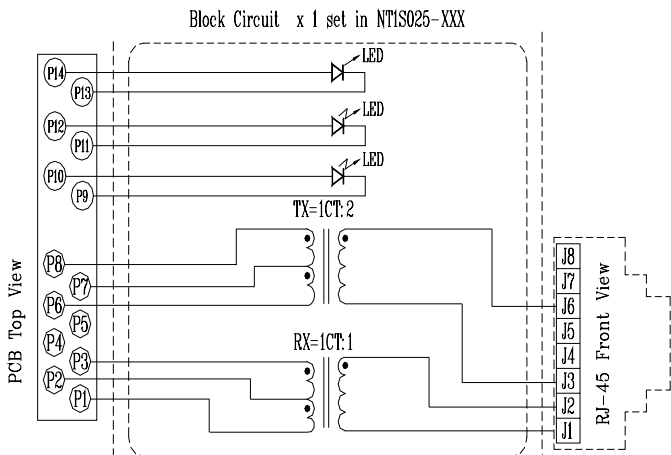
NT1S023-XXX, NT1S024-XXX



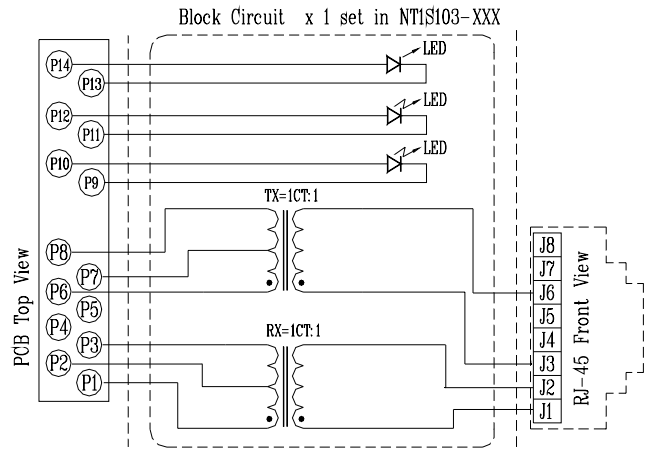
NT1S023A-XXX



NT1S025-XXX



NT1S103-XXX



NT1S104-XXX

