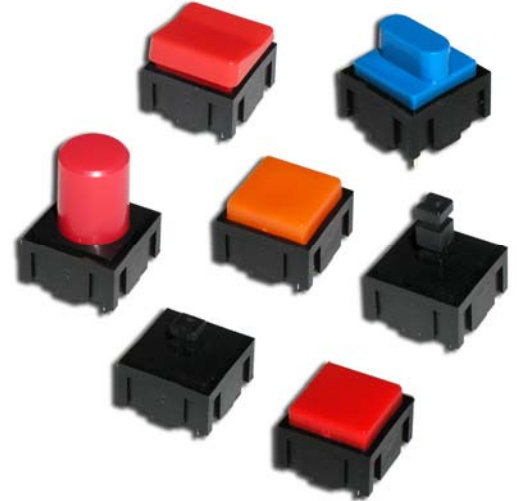


SPECIFICATIONS

Electrical Ratings	25mA @ 50VDC
Electrical Life	1,000,000 cycles typical
Contact Resistance	< 25 mΩ initial
Actuation Force	150 +/- 50gF
Dielectric Strength	1500Vrms min
Insulation Resistance	> 100MΩ min
Operating Temperature	-40°C to 85°C
Storage Temperature	-40°C to 85°C



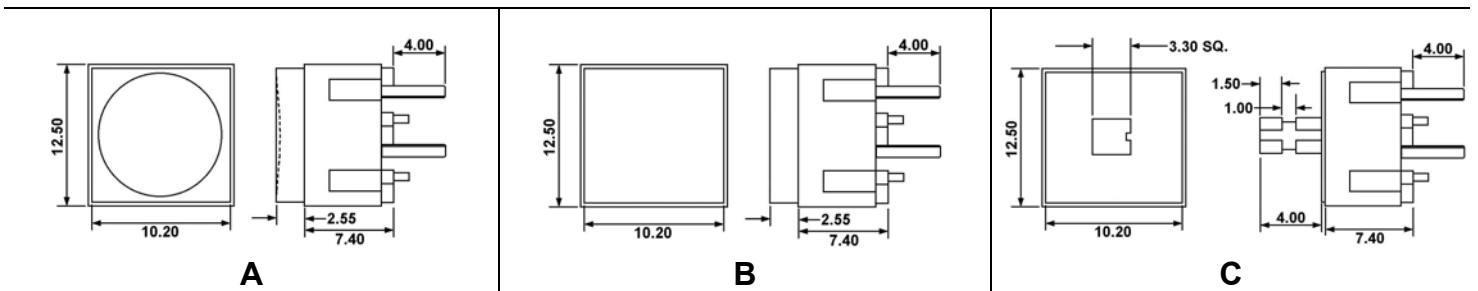
MATERIALS ←RoHS COMPLIANT

Cap	ABS
Housing	6/6 Nylon
Contacts	Copper Alloy, Gold over Nickel Plated
Terminals	Copper Alloy, Silver Plated

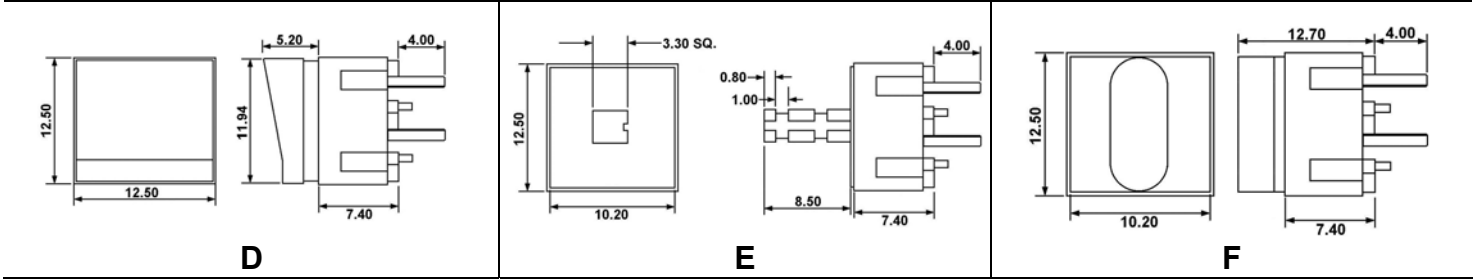
ORDERING INFORMATION

1. Series:	NC	A	3
NC			
2. Cover Style:			
A			
B			
C			
D			
E			
F			
3. Cover Color:			
1 = White	6 = Orange		
2 = Black	7 = Blue		
3 = Red	8 = Dark Gray		
4 = Yellow	9 = Light Gray		
5 = Green			
4. Caps:			
Blank = No Cap	C16	C27	
C11	C17*	C28	
C12	C18		
C13	C19		
C14	C22		
C15*	C26		
			Cap Colors:
			**See Cap Options for color availability
			** Caps available with C & E actuators only
			* C15 & C17 fit only "E" actuator

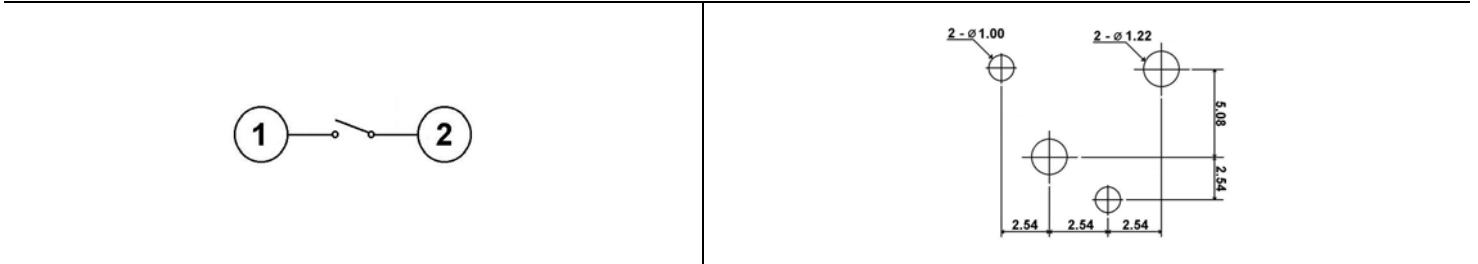
DIMENSIONS




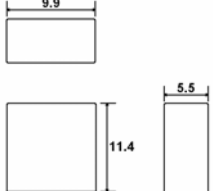

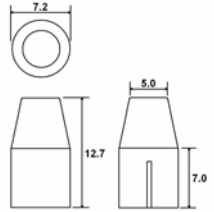

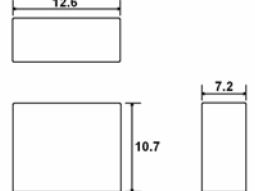

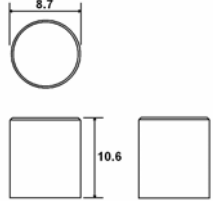

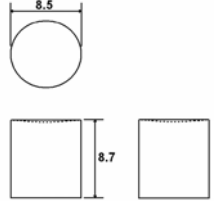

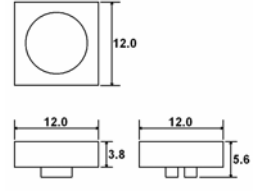

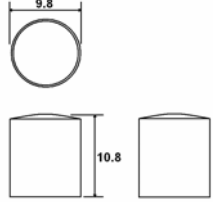

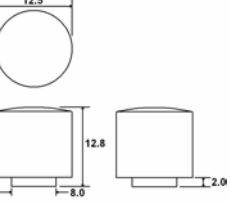

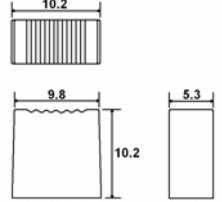
DIMENSIONS



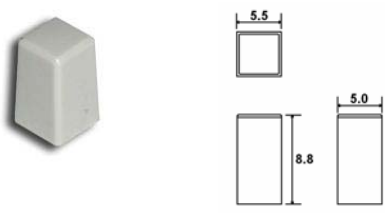
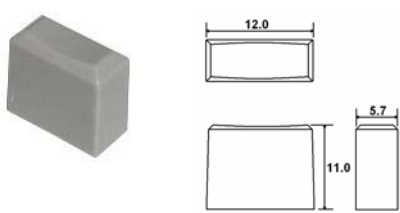
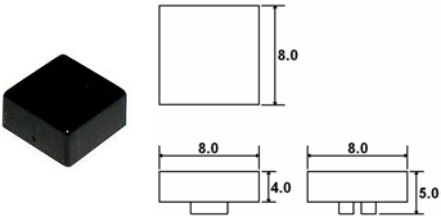
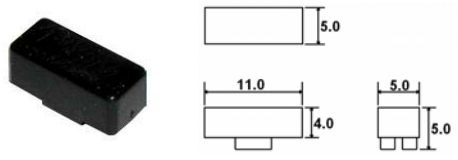
SCHEMATIC & PC LAYOUT



CAP OPTIONS ← Only available with C & E cover styles

  <p>C11_ 1 = White, 2 = Black, 3 = Red, 9 = Gray Contact Factory for other available colors</p>	  <p>C12_ 1 = White, 2 = Black, 3 = Red, 9 = Gray Contact Factory for other available colors</p>	  <p>C13_ 1 = White, 2 = Black, 3 = Red, 9 = Gray Contact Factory for other available colors</p>
  <p>C14_ 1 = White, 2 = Black, 3 = Red, 9 = Gray Contact Factory for other available colors</p>	  <p>C15_ For "E" actuator only 2 = Black, 0 = Clear Contact Factory for other available colors</p>	  <p>C16_ 1 = White, 2 = Black, 3 = Red, 7 = Blue Contact Factory for other available colors</p>
  <p>C17_ For "E" actuator only 2 = Black, 0 = Clear Contact Factory for other available colors</p>	  <p>C18_ 1 = White, 2 = Black, 9 = Light Gray Contact Factory for other available colors</p>	  <p>C19_ 1 = White, 2 = Black, 3 = Red, 8 = Dark Gray Contact Factory for other available colors</p>

CAP OPTIONS ← Only available with C & E cover styles

 <p>C22_ 2 = Black, 8 = Dark Gray, 9 = Light Gray Contact Factory for other available colors</p>	 <p>C26_ 1 = White, 2 = Black, 3 = Red, 9 = Light Gray Contact Factory for other available colors</p>	 <p>C27_ 1 = White, 2 = Black, 3 = Red, 8 = Dark Gray Contact Factory for other available colors</p>
 <p>C28_ 1 = White, 2 = Black, 3 = Red, 8 = Dark Gray Contact Factory for other available colors</p>		