

# SMD Tubular Tuning Fork Crystal



Model: NC26SM-SLF

RoHS Compliant

Rev. 4/18/2006

Page 1 of 2

[http://www.foxonline.com/need\\_a\\_sample.htm](http://www.foxonline.com/need_a_sample.htm)

Need a Sample®

## FEATURES

- Ultra Low Profile
- Long Term Stability
- Tape and Reel (3,000 pcs. STD)

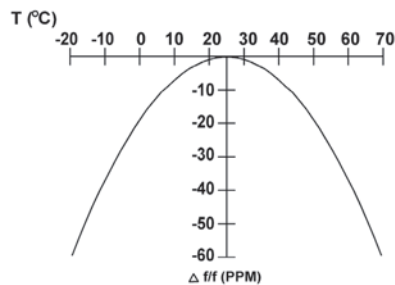
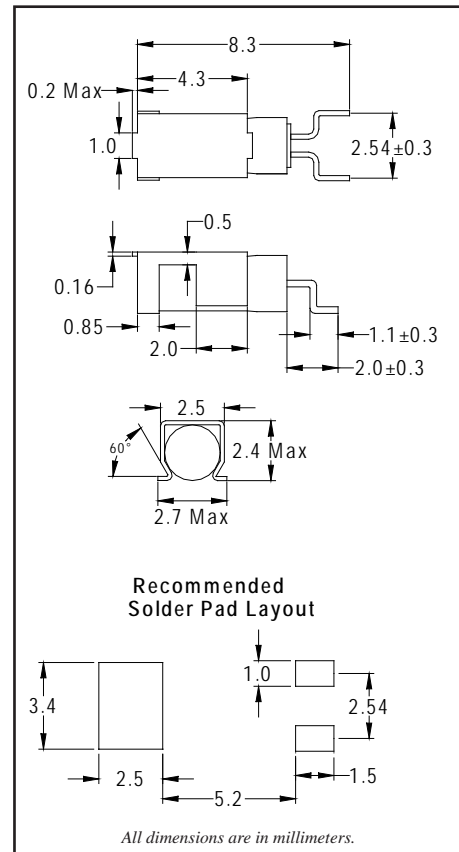
### • PART NUMBER [Learn More](#) - Internet Required

Part Number	Model Number	Frequency Stability	Operating Temperature
717LF-0.032768-xxxxx	NC26SM-SLF	-0.04PPM/( $\Delta^{\circ}\text{C}$ ) <sup>2</sup>	-40 ~ +85 $^{\circ}\text{C}$

### • STANDARD SPECIFICATIONS

PARAMETERS	MAX (unless otherwise noted)
Frequency	32.768 kHz
Frequency Tolerance @ 25 $^{\circ}\text{C}$	$\pm 20$ PPM
Frequency Stability Temperature Coefficient	-0.04 PPM / ( $\Delta^{\circ}\text{C}$ ) <sup>2</sup>
Temperature Range	
Turnover (T <sub>O</sub> )	+20 $^{\circ}\text{C}$ ~ +30 $^{\circ}\text{C}$
Operating (T <sub>OPR</sub> )	-40 $^{\circ}\text{C}$ ~ +85 $^{\circ}\text{C}$
Storage (T <sub>STG</sub> )	-55 $^{\circ}\text{C}$ ~ +125 $^{\circ}\text{C}$
Equivalent Series Resistance (R <sub>S</sub> )	50 k $\Omega$
Load Capacitance (C <sub>L</sub> )	12.5 pF
Insulation Resistance @ 110VDC	500 M $\Omega$ Min
Drive Level	1.0 $\mu\text{W}$
Aging per year	$\pm 3$ PPM
Maximum Soldering Temp/Time	260 $^{\circ}\text{C}$ x 10 Seconds
Moisture Sensitivity Level (MSL)	1
Termination Finish	Sn / Cu

All specifications subject to change without notice.



To determine frequency stability, use parabolic curvature (K).  
For example: What is stability at 45 $^{\circ}\text{C}$ ?

- 1) Change in T ( $^{\circ}\text{C}$ ) = 45-25 = 20 $^{\circ}\text{C}$
- 2) Change in frequency = -0.04 PPM \* ( $\Delta^{\circ}\text{C}$ )<sup>2</sup>  
= -0.04 PPM \* (20)<sup>2</sup>  
= -16.0 PPM

# SMD Tubular Tuning Fork Crystal



Model: NC26SM-SLF

RoHS Compliant

Rev. 4/18/2006

Page 2 of 2

[http://www.foxonline.com/need\\_a\\_sample.htm](http://www.foxonline.com/need_a_sample.htm)



• TAPE SPECIFICATIONS (millimeters)							
MODEL	A	B	C	D	E	F	STD Reel QTY
NC26SM-SLF	∅1.5	4.0	8.0	9.2	16.0	2.1	3,000

• REEL SPECIFICATIONS (millimeters)							
MODEL	G	H	I	J	K	L	M
NC26SM-SLF	2.0	∅13	∅21	∅100	∅330	17.5	2.0

