

PACKAGE DIMENSIONS

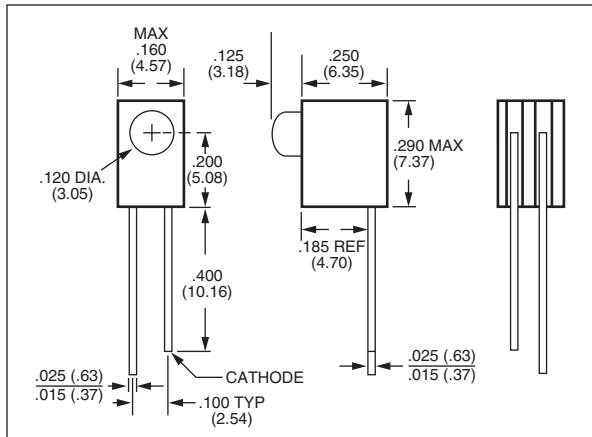


Fig. - 4A

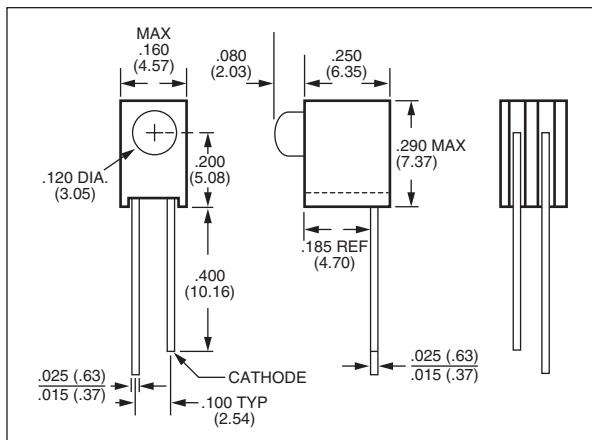


Fig. - 4B

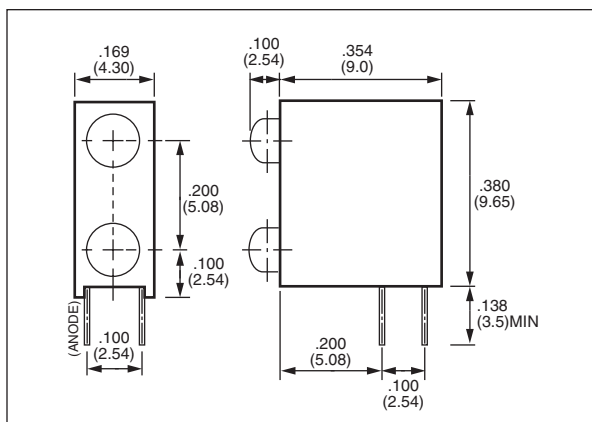


Fig. - 4C

Description

For right-angle and vertical viewing, the QT Optoelectronics LED circuit board indicators come in T-3/4, T-1 and T-1 3/4 lamp sizes, and in single, dual and multiple packages. The indicators are available in AlGaAs red, high-efficiency red, bright red, green, yellow, and bi-color at standard drive currents, as well as at 2 mA drive current. To reduce component cost and save space, 5V and 12V types are available with integrated resistors. The LEDs are packaged in a black plastic housing for optical contrast, and the housing meets UL94V-O Flammability specifications.

T-1 (3mm)

| Part Number | Color | View Angle (°) | VF | mcd | @ mA | PKG. FIG. |
|-------------|---------|----------------|-----|-----|------|-----------|
| MV5064.MP4A | RED | 60 | 1.6 | 1.5 | 20 | 4A |
| MV5364.MP4A | YELLOW | 60 | 2.1 | 2.0 | 10 | 4A |
| MV5464.MP4A | GREEN | 60 | 2.2 | 5.0 | 20 | 4A |
| MV5764.MP4A | H-E RED | 60 | 2.0 | 2.0 | 10 | 4A |
| MV5064.MP4B | RED | 60 | 1.6 | 1.5 | 20 | 4B |
| MV5364.MP4B | YELLOW | 60 | 2.1 | 2.0 | 10 | 4B |
| MV5464.MP4B | GREEN | 60 | 2.2 | 5.0 | 20 | 4B |
| MV5764.MP4B | H-E RED | 60 | 2.0 | 2.0 | 10 | 4B |

LOW CURRENT (2mA)

| | | | | | | |
|----------------|---------|----|-----|-----|---|----|
| HLMP-1700.MP4A | H-E RED | 50 | 1.8 | 2.0 | 2 | 4A |
| HLMP-1719.MP4A | YELLOW | 50 | 1.9 | 2.0 | 2 | 4A |
| HLMP-1790.MP4A | GREEN | 50 | 1.9 | 2.0 | 2 | 4A |
| HLMP-1700.MP4B | H-E RED | 50 | 1.8 | 2.0 | 2 | 4B |
| HLMP-1719.MP4B | YELLOW | 50 | 1.9 | 2.0 | 2 | 4B |
| HLMP-1790.MP4B | GREEN | 50 | 1.9 | 2.0 | 2 | 4B |

AlGaAs RED

| | | | | | | |
|----------------|-------------|----|-----|------|----|----|
| HLMP-K101.MP4A | AlGaAs RED | 60 | 1.8 | 45.0 | 20 | 4A |
| HLMP-K105.MP4A | AlGaAs RED* | 35 | 1.8 | 65.0 | 20 | 4A |
| HLMP-K150.MP4A | AlGaAs RED | 60 | 1.6 | 2.0 | 1 | 4A |
| HLMP-K155.MP4A | AlGaAs RED* | 45 | 1.6 | 3.0 | 1 | 4A |
| HLMP-K101.MP4B | AlGaAs RED | 60 | 1.8 | 45.0 | 20 | 4B |
| HLMP-K105.MP4B | AlGaAs RED* | 35 | 1.8 | 65.0 | 20 | 4B |
| HLMP-K150.MP4B | AlGaAs RED | 60 | 1.6 | 2.0 | 1 | 4B |
| HLMP-K155.MP4B | AlGaAs RED* | 45 | 1.6 | 3.0 | 1 | 4B |

T-1 (3mm) bilevel

| Part Number | Color | View Angle (°) | VF | mcd | @ mA | PKG. FIG. |
|-------------|-----------------|----------------|-----|-----|------|-----------|
| QLA694B-2H | B. RED/B. RED | 140 | 2.1 | 1.4 | 10 | 4C |
| QLA694B-2I | H-E RED/H-E RED | 140 | 2.0 | 6.0 | 10 | 4C |
| QLA694B-2G | GRN/GRN | 140 | 2.1 | 6.0 | 10 | 4C |
| QLA694B-2Y | YEL/YEL | 140 | 2.0 | 6.0 | 10 | 4C |
| QLA694B-HG | B. RED/GRN | 140 | 2.1 | 1.4 | 10 | 4C |
| QLA694B-GY | GRN/YEL | 140 | 2.1 | 6.0 | 10 | 4C |

First color indicated is on top, and the second color is on the bottom.
For example: QLA694B-GY has GRN(top)/YEL(bottom).

General Notes:

- All dimensions are in inches (mm).
- Tolerance is ± 0.15 ($\pm .38$) unless otherwise specified.
- All electrical values are typical.
- All parts have colored *diffused* lens except those with an asterisk (*), which denotes colored *clear* lens.
- Custom color combinations are available.

PACKAGE DIMENSIONS

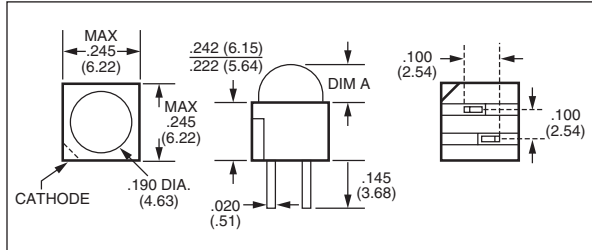


Fig. - 5

| T-1 3/4 (5mm) | | | | | | | | |
|--------------------------|------------|----------------|-----|-------|------|-------|--------|-----------|
| Part Number | Color | View Angle (°) | VF | mcd | @ mA | DIM A | | PKG. FIG. |
| | | | | | | in. | (mm) | |
| MV60538.MP5 | RED | 65 | 1.7 | 2.0 | 20 | .125 | (3.18) | 5 |
| MV63538.MP5 | YLW | 65 | 2.1 | 18.0 | 20 | .125 | (3.18) | 5 |
| MV64538.MP5 | GRN | 65 | 2.2 | 26.0 | 20 | .125 | (3.18) | 5 |
| MV67538.MP5 | H-E RED | 65 | 2.1 | 14.0 | 20 | .125 | (3.18) | 5 |
| MV60539.MP5 | RED | 65 | 1.7 | 3.2 | 20 | .180 | (4.57) | 5 |
| MV63539.MP5 | YLW | 65 | 2.1 | 20.0 | 20 | .180 | (4.57) | 5 |
| MV64539.MP5 | GRN | 65 | 2.2 | 28.0 | 20 | .180 | (4.57) | 5 |
| MV67539.MP5 | H-E RED | 65 | 2.1 | 15.0 | 20 | .180 | (4.57) | 5 |
| LOW CURRENT (2mA) | | | | | | | | |
| HLMP-47009.MP5 | H-E RED | 45 | 1.8 | 2.0 | 2 | .180 | (4.57) | 5 |
| HLMP-47199.MP5 | YLW | 45 | 1.9 | 2.0 | 2 | .180 | (4.57) | 5 |
| HLMP-47409.MP5 | GRN | 45 | 1.9 | 3.0 | 2 | .180 | (4.57) | 5 |
| AlGaAs RED | | | | | | | | |
| HLMP-D1019.MP5 | AlGaAs RED | 65 | 1.8 | 70.0 | 20 | .180 | (4.57) | 5 |
| HLMP-D1509.MP5 | AlGaAs RED | 24 | 1.6 | 3.0 | 1 | .180 | (4.57) | 5 |
| ULTRA BRIGHT | | | | | | | | |
| MV33509.MP5 | YLW* | 24 | 2.2 | 150.0 | 20 | .180 | (4.57) | 5 |
| MV34509.MP5 | GRN* | 24 | 2.2 | 150.0 | 20 | .180 | (4.57) | 5 |
| MV37509.MP5 | H-E RED* | 24 | 2.2 | 150.0 | 20 | .180 | (4.57) | 5 |
| BICOLOR** | | | | | | | | |
| MV54919.MP5 | RED/GRN | 100 | 2.3 | 6.0 | 20 | .180 | (4.57) | 5 |

General Notes:

1. All dimensions are in inches (mm).
2. Tolerance is ± 0.15 ($\pm .38$) unless otherwise specified.
3. All electrical values are typical.
4. All parts have colored *diffused* lens except those with an asterisk (*), which denotes colored *clear* lens.
5. A double asterisk (**) denotes that the cathode, as indicated, is the red cathode for the RED/GRN bicolor LED.
6. Custom color combinations are available.

PACKAGE DIMENSIONS



Fig. - 6



Fig. - 7

| T-1 3/4 (5mm) | | | | | | | | |
|-------------------|------------|----------------|-----|-------|------|-------|--------|-----------|
| Part Number | Color | View Angle (°) | VF | mcd | @ mA | DIM A | | PKG. FIG. |
| | | | | | | in. | (mm) | |
| MV60538.MP6 | RED | 65 | 1.7 | 2.0 | 20 | .125 | (3.18) | 6 |
| MV63538.MP6 | YLW | 65 | 2.1 | 18.0 | 20 | .125 | (3.18) | 6 |
| MV64538.MP6 | GRN | 65 | 2.2 | 26.0 | 20 | .125 | (3.18) | 6 |
| MV67538.MP6 | H-E RED | 65 | 2.1 | 14.0 | 20 | .125 | (3.18) | 6 |
| MV60539.MP6 | RED | 65 | 1.7 | 3.2 | 20 | .180 | (4.57) | 6 |
| MV63539.MP6 | YLW | 65 | 2.1 | 20.0 | 20 | .180 | (4.57) | 6 |
| MV64539.MP6 | GRN | 65 | 2.2 | 28.0 | 20 | .180 | (4.57) | 6 |
| MV67539.MP6 | H-E RED | 65 | 2.1 | 15.0 | 20 | .180 | (4.57) | 6 |
| LOW CURRENT (2mA) | | | | | | | | |
| HLMP-47009.MP6 | H-E RED | 45 | 1.8 | 2.0 | 2 | .180 | (4.57) | 6 |
| HLMP-47199.MP6 | YLW | 45 | 1.9 | 2.0 | 2 | .180 | (4.57) | 6 |
| HLMP-47409.MP6 | GRN | 45 | 1.9 | 3.0 | 2 | .180 | (4.57) | 6 |
| AlGaAs RED | | | | | | | | |
| HLMP-D1019.MP6 | AlGaAs RED | 65 | 1.8 | 70.0 | 20 | .180 | (4.57) | 6 |
| HLMP-D1509.MP6 | AlGaAs RED | 24 | 1.6 | 3.0 | 1 | .180 | (4.57) | 6 |
| ULTRA BRIGHT | | | | | | | | |
| MV33509.MP6 | YLW* | 24 | 2.2 | 150.0 | 20 | .180 | (4.57) | 6 |
| MV34509.MP6 | GRN* | 24 | 2.2 | 150.0 | 20 | .180 | (4.57) | 6 |
| MV37509.MP6 | H-E RED* | 24 | 2.2 | 150.0 | 20 | .180 | (4.57) | 6 |
| BICOLOR** | | | | | | | | |
| MV54919.MP6 | RED/GRN | 100 | 2.3 | 6.0 | 20 | .180 | (4.57) | 6 |

| T-1 3/4 (5mm) | | | | | | | | |
|-------------------|------------|----------------|-----|-------|------|-------|--------|-----------|
| Part Number | Color | View Angle (°) | VF | mcd | @ mA | DIM A | | PKG. FIG. |
| | | | | | | in. | (mm) | |
| MV60538.MP7 | RED | 65 | 1.7 | 2.0 | 20 | .125 | (3.18) | 7 |
| MV63538.MP7 | YLW | 65 | 2.1 | 18.0 | 20 | .125 | (3.18) | 7 |
| MV64538.MP7 | GRN | 65 | 2.2 | 26.0 | 20 | .125 | (3.18) | 7 |
| MV67538.MP7 | H-E RED | 65 | 2.1 | 14.0 | 20 | .125 | (3.18) | 7 |
| MV60539.MP7 | RED | 65 | 1.7 | 3.2 | 20 | .183 | (4.65) | 7 |
| MV63539.MP7 | YLW | 65 | 2.1 | 20.0 | 20 | .183 | (4.65) | 7 |
| MV64539.MP7 | GRN | 65 | 2.2 | 28.0 | 20 | .183 | (4.65) | 7 |
| MV67539.MP7 | H-E RED | 65 | 2.1 | 15.0 | 20 | .183 | (4.65) | 7 |
| LOW CURRENT (2mA) | | | | | | | | |
| HLMP-47009.MP7 | H-E RED | 45 | 1.8 | 2.0 | 2 | .183 | (4.65) | 7 |
| HLMP-47199.MP7 | YLW | 45 | 1.9 | 2.0 | 2 | .183 | (4.65) | 7 |
| HLMP-47409.MP7 | GRN | 45 | 1.9 | 3.0 | 2 | .183 | (4.65) | 7 |
| AlGaAs RED | | | | | | | | |
| HLMP-D1019.MP7 | AlGaAs RED | 65 | 1.8 | 70.0 | 20 | .183 | (4.65) | 7 |
| HLMP-D1509.MP7 | AlGaAs RED | 24 | 1.6 | 3.0 | 1 | .183 | (4.65) | 7 |
| ULTRA BRIGHT | | | | | | | | |
| MV33509.MP7 | YLW* | 24 | 2.2 | 150.0 | 20 | .183 | (4.65) | 7 |
| MV34509.MP7 | GRN* | 24 | 2.2 | 150.0 | 20 | .183 | (4.65) | 7 |
| MV37509.MP7 | H-E RED* | 24 | 2.2 | 150.0 | 20 | .183 | (4.65) | 7 |
| BICOLOR** | | | | | | | | |
| MV54919.MP7 | RED/GRN | 100 | 2.3 | 6.0 | 20 | .183 | (4.65) | 7 |

General Notes:

1. All dimensions are in inches (mm).
2. Tolerance is ± 0.15 ($\pm .38$) unless otherwise specified.
3. All electrical values are typical.
4. All parts have colored *diffused* lens except those with an asterisk (*), which denotes colored *clear* lens.
5. A double asterisk (**) denotes that the cathode, as indicated, is the red cathode for the RED/GRN bicolor LED.
6. Custom color combinations are available.

PACKAGE DIMENSIONS

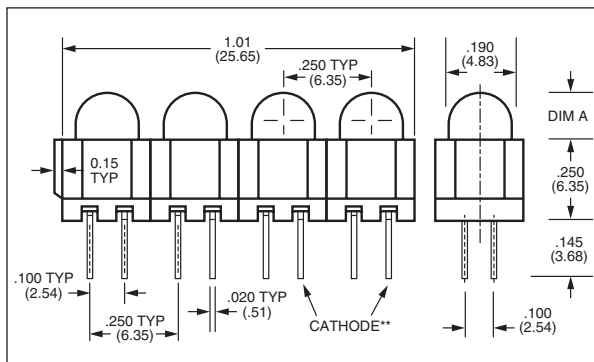


Fig. - 8

Specific Notes:
For T-1 3/4 (5mm) multiple, multiples of four is the standard configuration.
Options — To obtain units in multiples of two add a "-2" suffix to the part number (i.e. MV64539.MP8-2). To obtain units in multiples of three add a "-3" suffix.

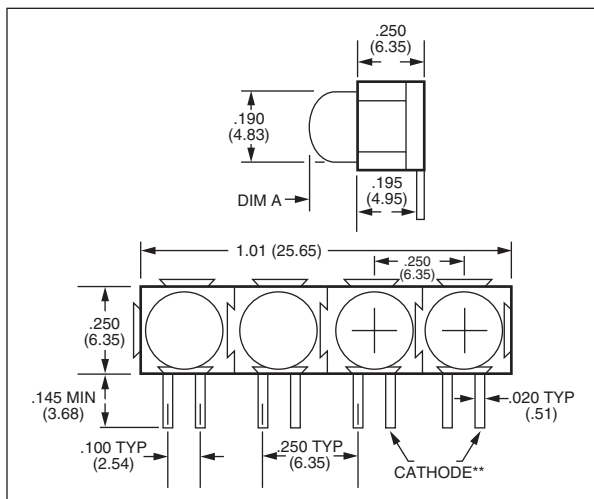


Fig. - 8A

| T-1 3/4 (5mm) multiple | | | | | | | | |
|------------------------|----------|----------------|-----|-------|------|-------|--------|-----------|
| Part Number | Color | View Angle (°) | VF | mcd | @ mA | DIM A | | PKG. FIG. |
| | | | | | | in. | (mm) | |
| MV60538.MP8 | RED | 65 | 1.7 | 2.0 | 20 | .140 | (3.56) | 8 |
| MV63538.MP8 | YLW | 65 | 2.1 | 18.0 | 20 | .140 | (3.56) | 8 |
| MV64538.MP8 | GRN | 65 | 2.2 | 26.0 | 20 | .140 | (3.56) | 8 |
| MV67538.MP8 | H-E RED | 65 | 2.1 | 14.0 | 20 | .140 | (3.56) | 8 |
| MV60539.MP8 | RED | 65 | 1.7 | 3.2 | 20 | .195 | (4.95) | 8 |
| MV63539.MP8 | YLW | 65 | 2.1 | 20.0 | 20 | .195 | (4.95) | 8 |
| MV64539.MP8 | GRN | 65 | 2.2 | 28.0 | 20 | .195 | (4.95) | 8 |
| MV67539.MP8 | H-E RED | 65 | 2.1 | 15.0 | 20 | .195 | (4.95) | 8 |
| LOW CURRENT (2mA) | | | | | | | | |
| HLMP-47009.MP8 | H-E RED | 45 | 1.8 | 2.0 | 2 | .195 | (4.95) | 8 |
| HLMP-47199.MP8 | YLW | 45 | 1.9 | 2.0 | 2 | .195 | (4.95) | 8 |
| HLMP-47409.MP8 | GRN | 45 | 1.9 | 3.0 | 2 | .195 | (4.95) | 8 |
| ULTRA BRIGHT | | | | | | | | |
| MV33509.MP8 | YLW* | 24 | 2.2 | 150.0 | 20 | .195 | (4.95) | 8 |
| MV34509.MP8 | GRN* | 24 | 2.2 | 150.0 | 20 | .195 | (4.95) | 8 |
| MV37509.MP8 | H-E RED* | 24 | 2.2 | 150.0 | 20 | .195 | (4.95) | 8 |
| BICOLOR** | | | | | | | | |
| MV54919.MP8 | RED/GRN | 100 | 2.3 | 6.0 | 20 | .195 | (4.95) | 8 |

Specific Notes:
For T-1 3/4 (5mm) multiple, multiples of four is the standard configuration.
Options — To obtain units in multiples of two add a "-2" suffix to the part number (i.e. MV64539.MP8-2). To obtain units in multiples of three add a "-3" suffix.

| T-1 3/4 (5mm) multiple | | | | | | | | |
|------------------------|----------|----------------|-----|-------|------|-------|--------|-----------|
| Part Number | Color | View Angle (°) | VF | mcd | @ mA | DIM A | | PKG. FIG. |
| | | | | | | in. | (mm) | |
| MV60538.MP8A | RED | 65 | 1.7 | 2.0 | 20 | .140 | (3.56) | 8A |
| MV63538.MP8A | YLW | 65 | 2.1 | 18.0 | 20 | .140 | (3.56) | 8A |
| MV64538.MP8A | GRN | 65 | 2.2 | 26.0 | 20 | .140 | (3.56) | 8A |
| MV67538.MP8A | H-E RED | 65 | 2.1 | 14.0 | 20 | .140 | (3.56) | 8A |
| MV60539.MP8A | RED | 65 | 1.7 | 3.2 | 20 | .195 | (4.95) | 8A |
| MV63539.MP8A | YLW | 65 | 2.1 | 20.0 | 20 | .195 | (4.95) | 8A |
| MV64539.MP8A | GRN | 65 | 2.2 | 28.0 | 20 | .195 | (4.95) | 8A |
| MV67539.MP8A | H-E RED | 65 | 2.1 | 15.0 | 20 | .195 | (4.95) | 8A |
| LOW CURRENT (2mA) | | | | | | | | |
| HLMP-47009.MP8A | H-E RED | 45 | 1.8 | 2.0 | 2 | .195 | (4.95) | 8A |
| HLMP-47199.MP8A | YLW | 45 | 1.9 | 2.0 | 2 | .195 | (4.95) | 8A |
| HLMP-47409.MP8A | GRN | 45 | 1.9 | 3.0 | 2 | .195 | (4.95) | 8A |
| ULTRA BRIGHT | | | | | | | | |
| MV33509.MP8A | YLW* | 24 | 2.2 | 150.0 | 20 | .195 | (4.95) | 8A |
| MV34509.MP8A | GRN* | 24 | 2.2 | 150.0 | 20 | .195 | (4.95) | 8A |
| MV37509.MP8A | H-E RED* | 24 | 2.2 | 150.0 | 20 | .195 | (4.95) | 8A |
| BICOLOR** | | | | | | | | |
| MV54919.MP8A | RED/GRN | 100 | 2.3 | 6.0 | 20 | .195 | (4.95) | 8A |

General Notes:
1. All dimensions are in inches (mm).
2. Tolerance is ± 0.15 ($\pm .38$) unless otherwise specified.
3. All electrical values are typical.
4. All parts have colored *diffused* lens except those with an asterisk (*), which denotes colored *clear* lens.
5. A double asterisk (**) denotes that the cathode, as indicated, is the red cathode for the RED/GRN bicolor LED.
6. Custom color combinations are available.

PACKAGE DIMENSIONS

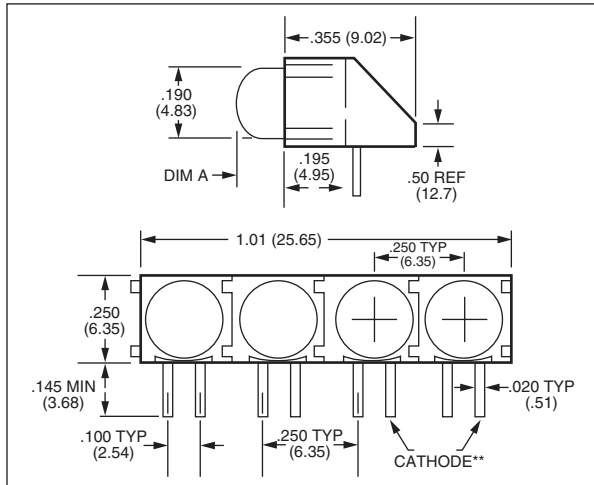


Fig. - 8B
Specific Notes:
For T-1 3/4 (5mm) multiple, multiples of four is the standard configuration.
Options — To obtain units in multiples of two add a "-2" suffix to the part number (i.e. MV64539.MP8-2). To obtain units in multiples of three add a "-3" suffix.

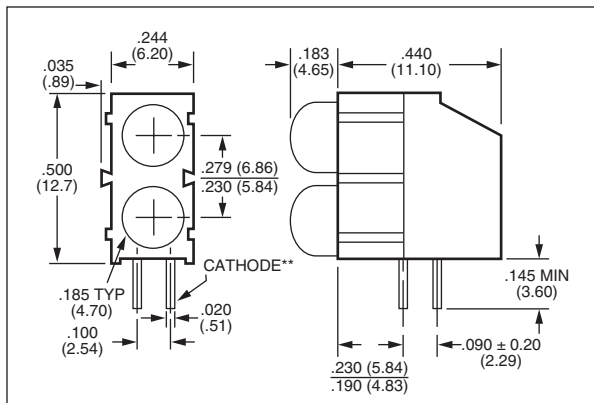


Fig. - 9
Parts are stackable

| T-1 3/4 (5mm) multiple | | | | | | | | |
|------------------------|----------|----------------|-----|-------|------|-------|--------|-----------|
| Part Number | Color | View Angle (°) | VF | mcd | @ mA | DIM A | | PKG. FIG. |
| | | | | | | in. | (mm) | |
| MV60538.MP8B | RED | 65 | 1.7 | 2.0 | 20 | .140 | (3.56) | 8B |
| MV63538.MP8B | YLW | 65 | 2.1 | 18.0 | 20 | .140 | (3.56) | 8B |
| MV64538.MP8B | GRN | 65 | 2.2 | 26.0 | 20 | .140 | (3.56) | 8B |
| MV67538.MP8B | H-E RED | 65 | 2.1 | 14.0 | 20 | .140 | (3.56) | 8B |
| MV60539.MP8B | RED | 65 | 1.7 | 3.2 | 20 | .195 | (4.95) | 8B |
| MV63539.MP8B | YLW | 65 | 2.1 | 20.0 | 20 | .195 | (4.95) | 8B |
| MV64539.MP8B | GRN | 65 | 2.2 | 28.0 | 20 | .195 | (4.95) | 8B |
| MV67539.MP8B | H-E RED | 65 | 2.1 | 15.0 | 20 | .195 | (4.95) | 8B |
| LOW CURRENT (2mA) | | | | | | | | |
| HLMP-47009.MP8B | H-E RED | 45 | 1.8 | 2.0 | 2 | .195 | (4.95) | 8B |
| HLMP-47199.MP8B | YLW | 45 | 1.9 | 2.0 | 2 | .195 | (4.95) | 8B |
| HLMP-47409.MP8B | GRN | 45 | 1.9 | 3.0 | 2 | .195 | (4.95) | 8B |
| ULTRA BRIGHT | | | | | | | | |
| MV33509.MP8B | YLW* | 24 | 2.2 | 150.0 | 20 | .195 | (4.95) | 8B |
| MV34509.MP8B | GRN* | 24 | 2.2 | 150.0 | 20 | .195 | (4.95) | 8B |
| MV37509.MP8B | H-E RED* | 24 | 2.2 | 150.0 | 20 | .195 | (4.95) | 8B |
| BICOLOR** | | | | | | | | |
| MV54919.MP8B | RED/GRN | 100 | 2.3 | 6.0 | 20 | .195 | (4.95) | 8B |

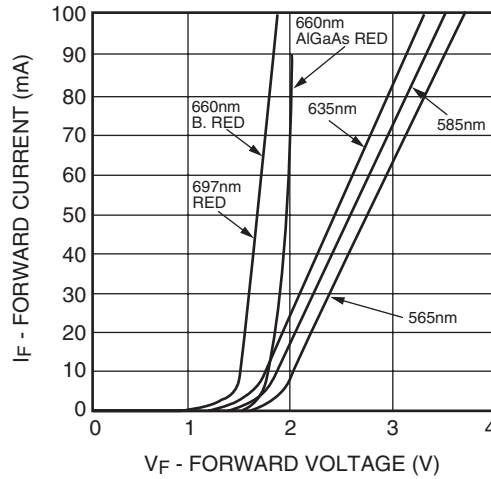
Specific Notes:
For T-1 3/4 (5mm) multiple, multiples of four is the standard configuration.
Options — To obtain units in multiples of two add a "-2" suffix to the part number (i.e. MV64539.MP8-2). To obtain units in multiples of three add a "-3" suffix.

| T-1 3/4 (5mm) bilevel | | | | | | |
|-----------------------|------------------|----------------|-----|-------|------|-----------|
| Part Number | Color | View Angle (°) | VF | mcd | @ mA | PKG. FIG. |
| MV60539.MP90 | RED/RED | 65 | 1.7 | 3.2 | 20 | 9 |
| MV63539.MP93 | YLW/YLW | 65 | 2.1 | 20.0 | 20 | 9 |
| MV64539.MP94 | GRN/GRN | 65 | 2.2 | 28.0 | 20 | 9 |
| MV67539.MP97 | H-E RED/H-E RED | 65 | 2.1 | 15.0 | 20 | 9 |
| LOW CURRENT (2mA) | | | | | | |
| HLMP-47009.MP97 | H-E RED/H-E RED | 45 | 1.8 | 2.0 | 2 | 9 |
| HLMP-47199.MP93 | YLW/YLW | 45 | 1.9 | 2.0 | 2 | 9 |
| HLMP-47409.MP94 | GRN/GRN | 45 | 1.9 | 3.0 | 2 | 9 |
| ULTRA BRIGHT | | | | | | |
| MV33509.MP93 | YLW/YLW * | 24 | 2.2 | 150.0 | 20 | 9 |
| MV34509.MP94 | GRN/GRN * | 24 | 2.2 | 150.0 | 20 | 9 |
| MV37509.MP97 | H-E RED/H-E RED* | 24 | 2.2 | 150.0 | 20 | 9 |
| BICOLOR** | | | | | | |
| MV54919.MP91 | R/G/ R/G | 100 | 2.3 | 6.0 | 20 | 9 |

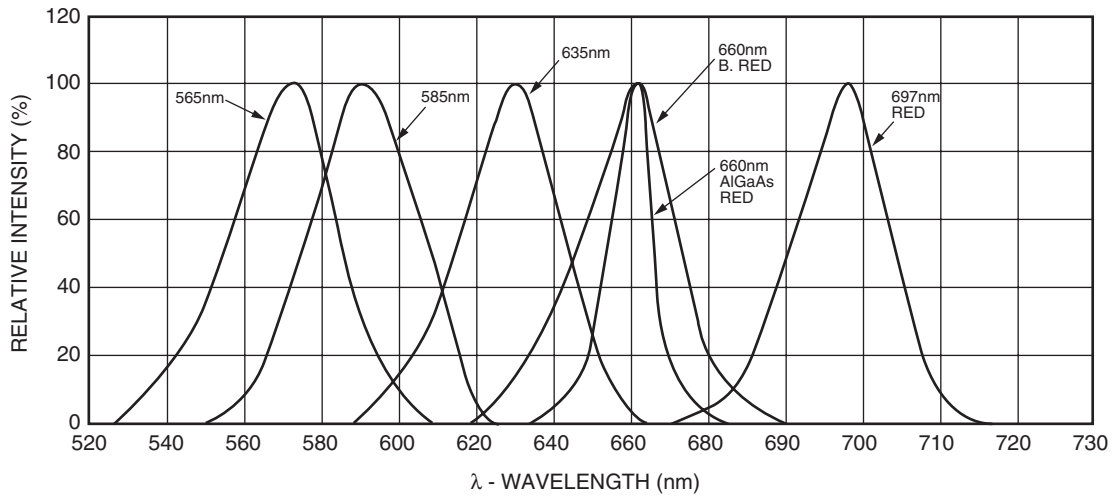
General Notes:
1. All dimensions are in inches (mm).
2. Tolerance is ± 0.15 ($\pm .38$) unless otherwise specified.
3. All electrical values are typical.
4. All parts have colored *diffused* lens except those with an asterisk (*), which denotes colored *clear* lens.
5. A double asterisk (**) denotes that the cathode, as indicated, is the red cathode for the RED/GRN bicolor LED.
6. Custom color combinations are available.

Typical Performance Characteristics ($T_A = 25^\circ\text{C}$)

Forward Current vs. Forward Voltage



Relative Intensity vs. Peak Wavelength



DISCLAIMER

FAIRCHILD SEMICONDUCTOR RESERVES THE RIGHT TO MAKE CHANGES WITHOUT FURTHER NOTICE TO ANY PRODUCTS HEREIN TO IMPROVE RELIABILITY, FUNCTION OR DESIGN. FAIRCHILD DOES NOT ASSUME ANY LIABILITY ARISING OUT OF THE APPLICATION OR USE OF ANY PRODUCT OR CIRCUIT DESCRIBED HEREIN; NEITHER DOES IT CONVEY ANY LICENSE UNDER ITS PATENT RIGHTS, NOR THE RIGHTS OF OTHERS.

LIFE SUPPORT POLICY

FAIRCHILD'S PRODUCTS ARE NOT AUTHORIZED FOR USE AS CRITICAL COMPONENTS IN LIFE SUPPORT DEVICES OR SYSTEMS WITHOUT THE EXPRESS WRITTEN APPROVAL OF THE PRESIDENT OF FAIRCHILD SEMICONDUCTOR CORPORATION. As used herein:

1. Life support devices or systems are devices or systems which, (a) are intended for surgical implant into the body, or (b) support or sustain life, and (c) whose failure to perform when properly used in accordance with instructions for use provided in the labeling, can be reasonably expected to result in a significant injury of the user.
2. A critical component in any component of a life support device or system whose failure to perform can be reasonably expected to cause the failure of the life support device or system, or to affect its safety or effectiveness.

Call Fairchild Semiconductor for more information or the phone number of your nearest distributor.

United States 800-533-6786 • France 33 01/43.99.25.12 • Germany 49 089/96.30.51 • United Kingdom 44 01296/39.44.99 • Asia/Pacific 603/735-2417