

## SEVEN SEGMENT NUMERIC DISPLAY

High Performance GaP, GaAsP Dice  
 0.56 inch Character Height  
 High Contrast  
 Wide Viewing Angle  
 Common Anode - MS356A, MG356A, MY356A, MO356A  
 Common Cathode - MS356C, MG356C, MY356C, MO356C

## ABSOLUTE MAXIMUM RATINGS

	MS356	MY356	MG356 MO356	UNIT
Power Dissipation / Segment	40	60	75	mW
Peak Forward Current / Segment	60	80	100	mA
Continuous Forward Current / Segment	15	20	25	mA
Reverse Voltage / Segment	5	5	5	V
Operating Temperature Range	-25 to +85			°C
Storage Temperature Range	-25 to +85			°C
Lead Soldering Temperature (1/16" from body)	260			°C

\* Note : Pulse Width = 1mS, Duty Ratio = 1/10.

## ELECTRO-OPTICAL CHARACTERISTICS (Ta=25°C)

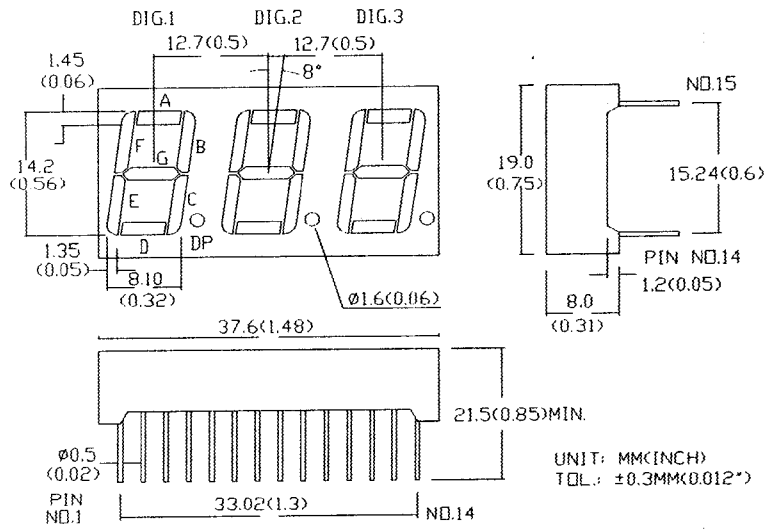
PARAMETER	SYMBOL	MS356	MG356	MY356	MO356	UNIT	CONDITIONS
Forward Voltage	MAX VF	3.0	3.0	3.0	3.0	V	IF=20mA
Luminous Intensity	MIN IV	400	1500	1000	1200	μcd	IF=10mA
Reverse Current	MAX IR	100	100	100	1100	μA	VR=5V
Segment to Segment Luminous Intensity Ratio	MAX	2:1	2:1	2:1	2:1		IF=20mA
Peak Wavelength	TYP λp	700	565	585	630	nm	IF=20mA
Spectral Line Half Width	TYP Δλ	100	30	35	40	nm	IF=20mA



MICRO ELECTRONICS LTD.

38, Hung To Road, Microtron Building, Kwun Tong, Kowloon, Hong Kong.  
 Kwun Tong P.O. Box 69477 Hong Kong. Fax No. 2341 0321 Telex:43510 Micro Hx. Tel: 2343 0181-5

MECHANICAL OUTLINE:



CIRCUIT DIAGRAM:

