

MS3480-28

Basic Part No. _____ Dash No. _____

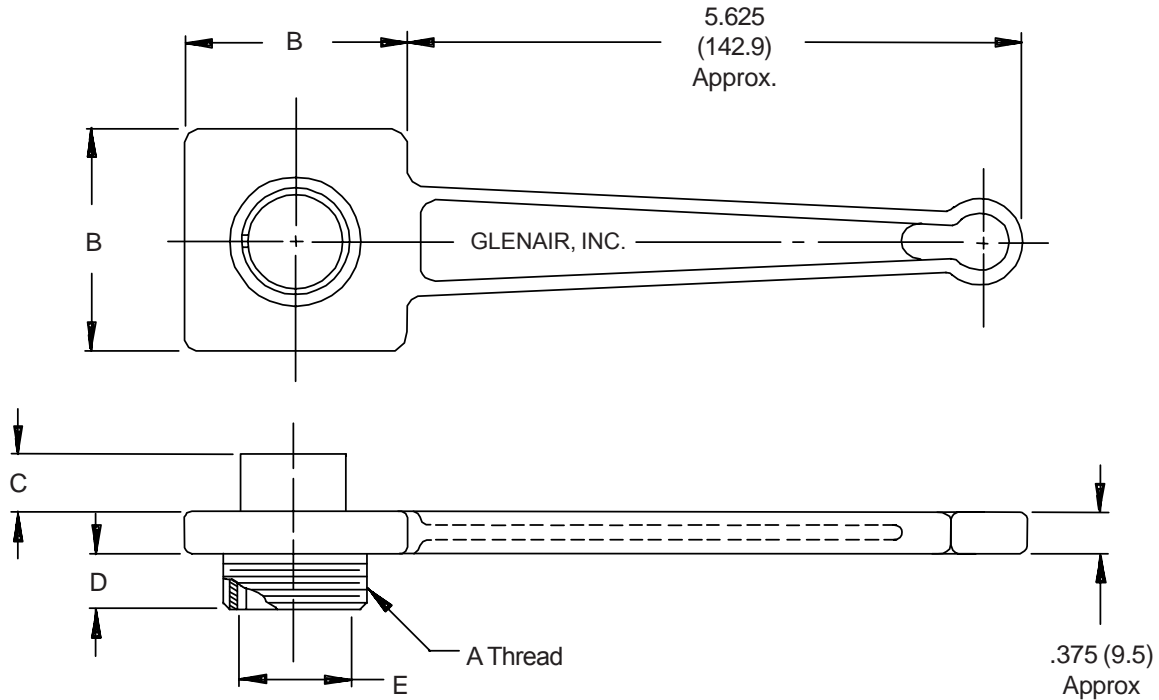


TABLE I

Dash No.	Shell Size	A Thread Class 2A	B Dia. $\pm .060$ (1.5)	C Approx.	D Approx.	E +0 (-.015) (.4)
8	8S	1/2 -28 UNEF	1.250 (31.8)	.718 (18.2)	.687 (17.4)	.370 (9.4)
10	10S, 10SL	5/8 -24 UNEF	1.250 (31.8)	.718 (18.2)	.687 (17.4)	.448 (11.4)
12	12, 12S	3/4 -20 UNEF	1.250 (31.8)	.921 (23.4)	.750 (19.1)	.557 (14.1)
14	14, 14S	7/8 -20 UNEF	1.250 (31.8)	.921 (23.4)	.750 (19.1)	.682 (17.3)
16	16, 16S	1 -20 UNEF	2.000 (50.8)	.921 (23.4)	.750 (19.1)	.807 (20.5)
18	18	1 1/8 -18 UNEF	2.000 (50.8)	.921 (23.4)	.750 (19.1)	.932 (23.7)
20	20	1 1/4 -18 UNEF	2.000 (50.8)	.921 (23.4)	.750 (19.1)	1.058 (26.9)
22	22	1 3/8 -18 UNEF	2.000 (50.8)	.921 (23.4)	.750 (19.1)	1.182 (30.0)
24	24	1 1/2 -18 UNEF	2.000 (50.8)	.921 (23.4)	.750 (19.1)	1.307 (33.2)
28	28	1 3/4 -18 UNS	2.750 (69.9)	.921 (23.4)	.750 (19.1)	1.526 (38.8)
32	32	2 -18 UNS	2.750 (69.9)	.921 (23.4)	.750 (19.1)	1.776 (45.1)
36	36	2 1/4 -16 UN	2.750 (69.9)	.921 (23.4)	.750 (19.1)	1.995 (50.7)
40	40	2 1/2 -16 UN	2.750 (69.9)	.921 (23.4)	.750 (19.1)	2.245 (57.0)

1. For complete dimensions see applicable Military Specification.
2. Metric dimensions (mm) are indicated in parentheses.
3. Material: Aluminum alloy with electroless nickel finish.