

PLEASE CHECK WWW.MOLEX.COM FOR LATEST PART INFORMATION

Part Number: [0190240008](#)
Status: **Active**
Description: VibraKrimp™ Quick Disconnect, Male, for 14-16 (2.00-1.30) Wire, Box, Tab 4.75mm (.187") x 0.51mm (.020")

Documents:
[Drawing \(PDF\)](#)

[RoHS Certificate of Compliance \(PDF\)](#)

General

Product Family	Quick Disconnects
Series	19024
Comments	Brass Sleeve with Funnel Ferrule Entry
Crimp Quality Equipment	Yes
Product Name	VibraKrimp™
Type	Quick Disconnect

Physical

Barrel Type	Closed
Gender	Male
Glow-Wire Compliant	No
Insulation	None
Lock to Mating Part	None
Orientation	Straight
Packaging Type	Bag
Polarized to Mating Part	No
Tab Thickness	0.51mm (.020")
Tab Width	4.75mm (.187")
Temperature Range - Operating	Per Wire Specification
Wire Insulation Diameter	4.30mm (.170") max.
Wire Size AWG	14, 16
Wire Size mm²	1.30 - 2.00

Electrical

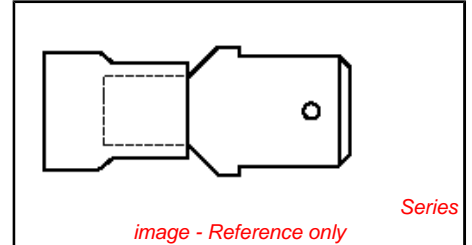
Voltage - Maximum	Per Wire Specification
-------------------	------------------------

Material Info

Old Part Number	MCT-47
-----------------	--------

Reference - Drawing Numbers

Sales Drawing	SD-19024-001
---------------	--------------



EU RoHS

ELV and RoHS Compliant
REACH SVHC
 Not Reviewed
Halogen-Free Status

China RoHS



Not Reviewed

Need more information on product environmental compliance?

Email productcompliance@molex.com
 For a multiple part number RoHS Certificate of Compliance, [click here](#)

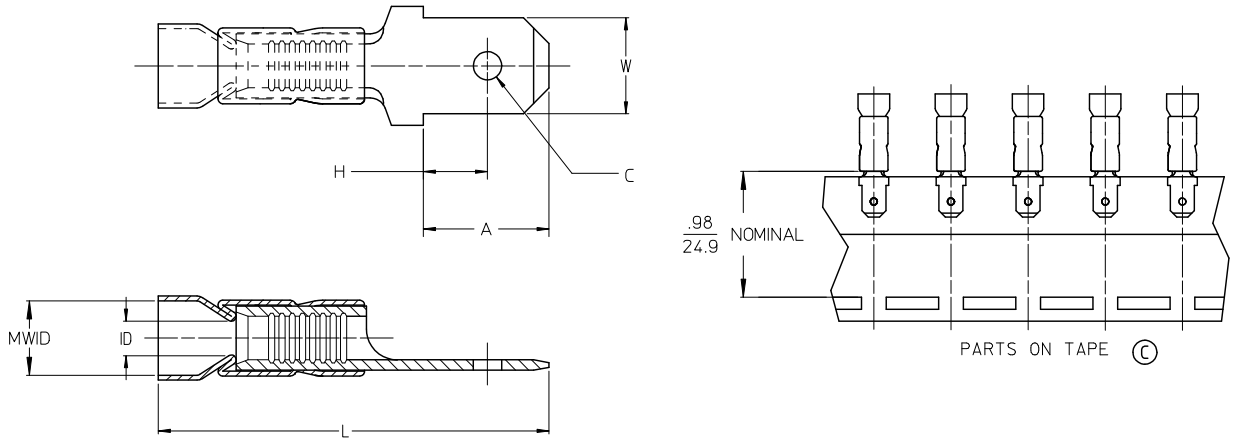
Please visit the [Contact Us](#) section for any non-product compliance questions.

Search Parts in this Series
[19024Series](#)

PLEASE CHECK WWW.MOLEX.COM FOR LATEST PART INFORMATION

10	9	8	7	6	5	4	3	2	19024				
LOOSE PC MATERIAL NO.	LOOSE PC ENGINEER'G NO.	ON TAPE MATERIAL NO.	ON TAPE ENGINEERING NO.	WIRE RANGE	ID MIN	MWID	L ± .03 0.8	W ± .005 0.13	A MIN	H MAX	C ± .007 0.18	TERMINAL MAT'L THICKNESS - REF	TERMINAL FINISH
190240001	AMCT-4	190240004	AMCT-4T	22-18AWG (0.38-.96mm ²)	.054/1.37	.138/3.50	.857/21.77	.250/6.35	.30/7.6	.14/3.6	.075/1.91	BRASS, .032/0.81	ZINC CHROMATE
190240007	MCT-4	190240009	MCT-4T	16-14 AWG (1.23-1.94mm ²)	.081/2.06	.169/4.29	.857/21.77	.250/6.35	.30/7.6	.14/3.6	.075/1.91	BRASS, .032/0.81	ZINC CHROMATE
190240005	CMCT-4	190240006	CMCT-4T	12-10AWG (3.09-5.01mm ²)	.128/3.25	.232/5.89	.994/25.25	.250/6.35	.30/7.6	.14/3.6	.075/1.91	BRASS, .032/0.81	ZINC CHROMATE
190240002	AMCT-47	-	-	22-18AWG (0.38-.96mm ²)	.054/1.37	.138/3.50	.762/19.36	.187/4.75	.24/6.1	.13/3.3	.055/1.40	BRASS, .020/0.51	ZINC CHROMATE
190240008	MCT-47	-	-	16-14 AWG (1.23-1.94mm ²)	.081/2.06	.169/4.29	.762/19.36	.187/4.75	.24/6.1	.13/3.3	.055/1.40	BRASS, .020/0.51	ZINC CHROMATE

© ENTIRE CHART



- NOTES:
1. TERMINAL MATERIAL & FINISH: SEE CHART
 2. FERRULE:
MATERIAL: BRASS
FINISH: TIN ©
 3. TAB DIMENSIONS CONFORM TO UL310 SPECIFICATIONS.
 4. PART IS ROHS COMPLIANT.
 5. MWID = MAXIMUM WIRE INSULATION DIAMETER ©

REDWIN W/MATL & FIN CHG EC NO: ETC2007-0081 DRAWN BY: DRW:RHFHLE 2008/01/28 CHECKED: JMACNEIL 2008/01/28 APPR: JMACNEIL 2008/02/13 DESCRIPTION:	QUALITY SYMBOLS	GENERAL TOLERANCES (UNLESS SPECIFIED)	DIMENSION STYLE IN/MM ©	SCALE 4:1	DESIGN UNITS INCH	THIRD ANGLE PROJECTION
	▽=0 ▽=0	mm INCH 4 PLACES ± --- ± --- 3 PLACES ± --- ± .005 2 PLACES ± 0.13 ± .01 1 PLACE ± 0.25 ± --- ANGULAR ± 1/2°	DRAWN BY: RCM DATE: 1992/02/14 CHECKED BY: RWD DATE: 1992/02/14 APPROVED BY: RWD DATE: 1992/02/14	TITLE	MALE CONNECTOR TERMINAL, VIBRAKRIMP .250 X .032 TAB	
	DRAFT WHERE APPLICABLE MUST REMAIN WITHIN DIMENSIONS	MATERIAL NO. SEE CHART	DOCUMENT NO. SD-19024-001	MOLEX INCORPORATED		SHEET NO. 1 OF 1
	SIZE B	THIS DRAWING CONTAINS INFORMATION THAT IS PROPRIETARY TO MOLEX INCORPORATED AND SHOULD NOT BE USED WITHOUT WRITTEN PERMISSION				