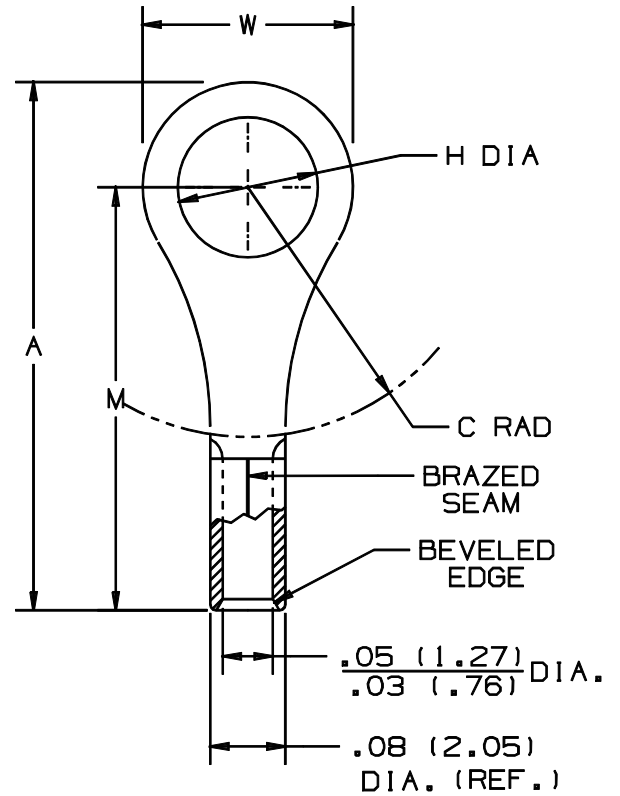


THIS COPY IS PROVIDED ON A RESTRICTED BASIS AND IS NOT TO BE USED IN ANY WAY DETRIMENTAL TO THE INTERESTS OF PANDUIT CORP.


PANDUIT PART NUMBER	STUD SIZE	DIMENSIONS in.				
		A (MAX)	W $\pm .010$	C (MIN)	M $\pm .02$	H $\pm .010$
P22-2R	#2	.52 (13.20)	.205 (5.20)	.16 (4.06)	.42 (10.67)	.092 (2.34)
P22-4R	#4	.52 (13.20)	.205 (5.20)	.16 (4.06)	.42 (10.67)	.132 (3.35)
P22-6R	#6	.52 (13.20)	.205 (5.20)	.16 (4.06)	.42 (10.67)	.152 (3.86)
P22-8R	#8	.63 (16.00)	.260 (6.60)	.25 (6.35)	.50 (12.70)	.175 (4.45)
P22-10R	#10	.63 (16.00)	.315 (8.00)	.22 (5.59)	.47 (11.93)	.215 (5.46)



NOTES:

1. RECOMMENDED FOR #26-22 SOLID OR STRANDED COPPER WIRE
2. MATERIAL:
A. STAMPING - .020 (0.51) THK COPPER, TIN PLATED
3. PACKAGE QTY: STD. PKG. -C=100
BULK PKG. -M=1000
4. DIMENSIONS IN BRACKETS ARE IN MILLIMETERS
5. INSTALLATION TOOLS: CT-100 (PKT B), CT-200
6. WIRE STRIP LENGTH: $3/16 \begin{matrix} +1/32 \\ -0 \end{matrix} (4.8 \begin{matrix} +.8 \\ -0 \end{matrix})$

A41227_05

05	1/01	KMD		CAD FILE SPEC. WAS N41227AA_PCD_04						 TINLEY PARK, ILLINOIS	
04	9-96	JB		UPDATE DIMENSIONS	05029						
03	8-95	MS	RLS	UPDATED NOTES AND DIMENSIONS	03539	KRS	LA				
02	7-88	DW		REDRAWN WITH REVISIONS			JB			#26-22 BARREL NON-INSULATED RING TONGUE	
REV	DATE	BY	CHK	DESCRIPTION	ECN	PM	CUST	DRAWN BY	CHK'D	SCALE	DRAWING NO.
								DAW	RLS	NONE	A41227