

**PLEASE CHECK WWW.MOLEX.COM FOR LATEST PART INFORMATION**

**Part Number:** [1201140083](#)  
**Status:** **Active**  
**Overview:** [microchange\\_m12\\_connectors](#)  
**Description:** Micro-Change® Molded Junction Box, Top Mount, 8 Ports, 2(IO) per port, LEDs for PNP sensors, with Integral Mini-Change® Home Run Connector

**Documents:**

[Drawing \(PDF\)](#) [RoHS Certificate of Compliance \(PDF\)](#)

**Agency Certification**

CSA LR6837  
 UL E152210

**General**

Product Family Passive Distribution Boxes  
 Series [120114](#)  
 Comments PNP SENSORS  
 IP Rating IP68  
 NEMA Rating NEMA 6  
 Overview [microchange\\_m12\\_connectors](#)  
 Product Name Micro-Change® (M12)

**Physical**

Bus I/O Micro-Change® (M12)  
 Cable Connector Orientation 90° Angle  
 Cable Length N/A  
 Home Run Cable Length N/A  
 Home Run Connector Mini-Change® - 19 pole  
 Home Run Interface Integrated Connector  
 Keyway Single  
 LED Indicator Yes  
 Material - Cable Jacket N/A  
 Material - Housing PBT  
 Material - Metal Copper Alloy  
 Material - Plating Mating Gold over Nickel  
 Orientation Top Mount  
 Poles 5  
 Poles (wired) 5  
 Ports 8  
 Temperature Range - Operating -25°C to +90°C  
 Wiring Configuration Dual I/O per Port

**Electrical**

Current - Maximum per Contact 12A per module, 4A per port  
 Functional Wiring Parallel  
 Voltage - Maximum 10-30V DC

**Material Info**

Old Part Number BTY803P-FBB

**Reference - Drawing Numbers**

Sales Drawing SD-120114-075

**EU RoHS**  
**ELV and RoHS**  
**Compliant**  
**REACH SVHC**  
**Not Reviewed**  
**Halogen-Free**  
**Status**  
**Not Reviewed**

**China RoHS**



**Need more information on product environmental compliance?**

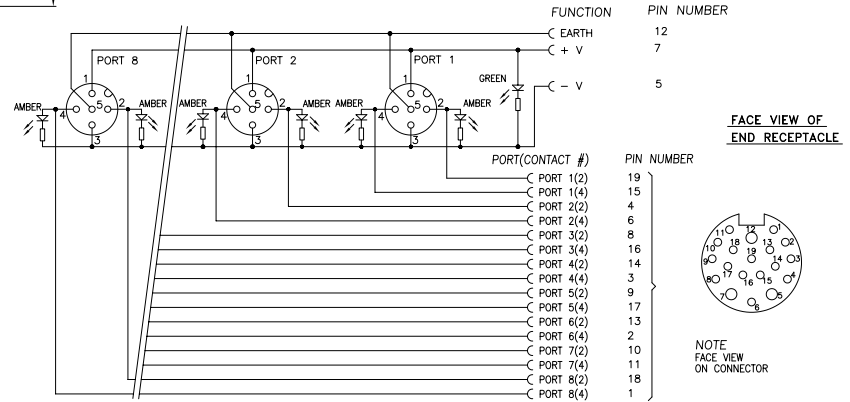
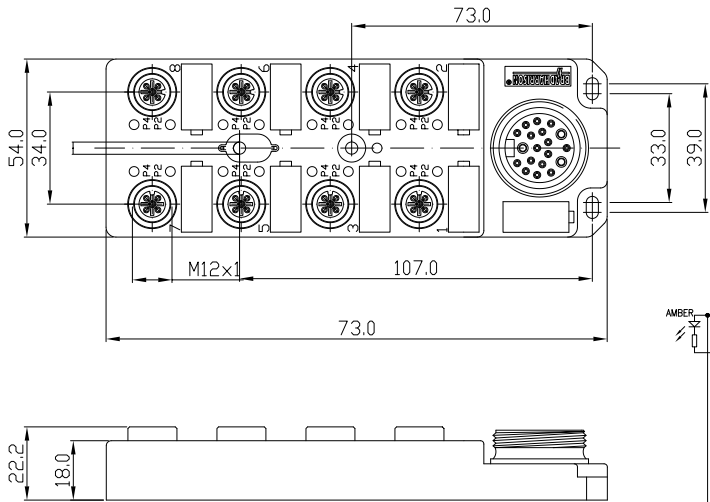
Email [productcompliance@molex.com](mailto:productcompliance@molex.com)  
 For a multiple part number RoHS Certificate of Compliance, [click here](#)

Please visit the [Contact Us](#) section for any non-product compliance questions.

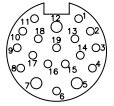
**Search Parts in this Series**  
[120114Series](#)

**PLEASE CHECK WWW.MOLEX.COM FOR LATEST PART INFORMATION**

13 12 11 10 9 8 7 6 5 4 3 2 1



FACE VIEW OF END RECEPTACLE



NOTE FACE VIEW ON CONNECTOR

MATERIAL NUMBER	OLD PART NUMBER
1201140083	BTY803P-FBB

VOLTAGE RATING	10-30 VDC
AMPERAGE RATING PER PORT	4 AMPS
PROTECTION	IP67
OPERATING TEMPERATURE	-25°C TO +90°C
UL CERTIFICATIONS	UL RECOGNIZED, FILE NO. E46237
CSA CERTIFICATIONS	CSA CERTIFIED, FILE NO. LR6837

ITEM	COMPONENT	MATERIAL	FINISH
1	CONTACT SOCKET	COPPER ALLOY	GOLD OVER NICKEL
2	O-RING	VITON	RED
3	RECEPTACLE SHELL	BRASS	NICKEL PLATED
4	HOUSING	PBT	YELLOW
5	LABEL	ABS	WHITE
6	LENS	NYLON	CLEAR

DESCRIPTION EC NO: WEU/2010-0452 DRWN:BBRAUCH 2010/03/19 CHKD:FP APPR:FPACHER 2010/03/24	QUALITY SYMBOLS ▽ = 0 ▽ = 0	GENERAL TOLERANCES (UNLESS SPECIFIED) mm INCH	DIMENSION STYLE MM ONLY	SCALE 2:1	DESIGN UNITS METRIC	THIRD ANGLE PROJECTION
		4 PLACES ± --- ± --- 3 PLACES ± --- ± --- 2 PLACES ± --- ± .01 1 PLACE ± 0.3 ± --- ANGULAR ± --- °	DRAWN BY DATE BBRAUCH 2010/03/19 CHECKED BY DATE FP 2010/03/19 APPROVED BY DATE FPACHER 2010/03/23	MICRO-CHANGE MPIS TOP MOUNT 8PORT PNP -CONNECT		
		DRAFT WHERE APPLICABLE MUST REMAIN WITHIN DIMENSIONS		MATERIAL NO. see table DOCUMENT NO. SD-120114-075 SHEET NO. 1 OF 1		

13 12 11 10 9 8 7 6 5 4 3 2 1