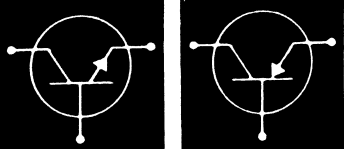


New Jersey Semi-Conductor Products, Inc.

20 STERN AVE.
 SPRINGFIELD, NEW JERSEY 07081
 U.S.A.

TELEPHONE: (973) 376-2922
 (212) 227-6005
 FAX: (973) 376-8960



NPN/PNP DUAL EMITTER CHOPPER BI-POLAR TRANSISTORS

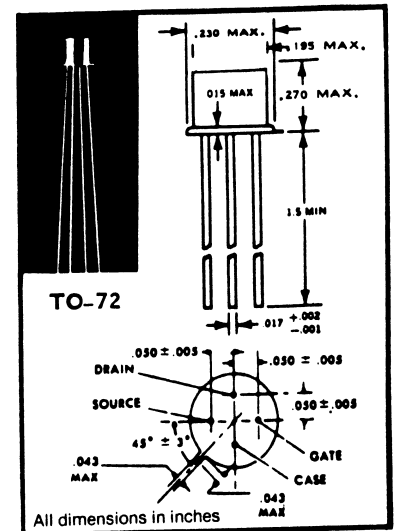
**3N62
 to
 3N136**

AVAILABLE AS JAN, JAN-TX, JANTX-V*
 LOW OFFSET VOLTAGE TO 30μV (PNP)/10μV (NPN)
 HIGH BV 50 VOLTS
 LOW rec(sat) 8 Ohms (Typ)

GEOMETRY 450
 GEOMETRY 481 (3N74-3N76)

ELECTRICAL CHARACTERISTICS AT 25°C FREE-AIR TEMPERATURE

| DEVICE | POLARITY | BVEEO V MIN. | BVCBO V MIN. | IEEO nA MAX. | rec(sat) Ω MAX. | Voff μV MAX. | ton nS MAX. | f _t MHZ MIN. |
|---------|----------|-----------------|-----------------|-----------------|--------------------|-----------------|----------------|----------------------------|
| 3N62** | NPN | 6 | 10 | 5 | 100 | 200 | 250 | |
| 3N63 | NPN | 6 | 10 | 5 | 100 | 100 | 250 | |
| 3N64 | NPN | 6 | 10 | 5 | 100 | 50 | 250 | |
| 3N65 | NPN | 10 | 10 | 5 | 100 | 200 | 250 | |
| 3N66 | NPN | 10 | 10 | 5 | 100 | 100 | 250 | |
| 3N67 | NPN | 10 | 10 | 5 | 100 | 50 | 250 | |
| 3N68** | NPN | 10 | 10 | 5 | 50 | 200 | 250 | |
| 3N68A** | NPN | 10 | 10 | 5 | 50 | 200 | 250 | |
| 3N69 | NPN | 10 | 10 | 5 | 50 | 100 | 250 | |
| 3N70** | NPN | 10 | 10 | 5 | 50 | 50 | 250 | |
| 3N71 | NPN | 8 | 15 | 5 | 15 | 50 | | |
| 3N72** | NPN | 8 | 15 | 5 | 15 | 100 | | |
| 3N73** | NPN | 8 | 15 | 5 | 25 | 200 | | |
| 3N74* | NPN | 18 | 50 | 2 | 40 | 50 | | 30 |
| 3N75* | NPN | 18 | 50 | 2 | 40 | 100 | | 30 |
| 3N76* | NPN | 18 | 50 | 2 | 50 | 200 | | 30 |
| 3N77 | NPN | 12 | 40 | 5 | 50 | 50 | | 30 |
| 3N78 | NPN | 12 | 40 | 5 | 50 | 100 | | 30 |
| 3N79 | NPN | 12 | 40 | 10 | 60 | 200 | | 30 |
| 3N87 | NPN | 10 | 20 | 02 | 100 | 50 | | |
| 3N88 | NPN | 10 | 20 | 02 | 150 | 100 | | 6 |
| 3N90 | PNP | 30 | 50 | 1 | 100 | 50 | | 6 |
| 3N91 | PNP | 30 | 50 | 1 | 100 | 100 | | 6 |
| 3N92 | PNP | 30 | 50 | 1 | 100 | 200 | | 6 |
| 3N93 | PNP | 50 | 50 | 1 | 75 | 50 | | 6 |
| 3N94 | PNP | 50 | 50 | 1 | 75 | 100 | | 6 |
| 3N95 | PNP | 50 | 50 | 1 | 100 | 200 | | 6 |
| 3N100 | PNP | 10 | 20 | 0.3 | 50 | 50 | | 3 |
| 3N101 | PNP | 20 | 30 | 0.3 | 50 | 50 | | 3 |
| 3N102 | PNP | 30 | 40 | 0.3 | 50 | 50 | | 3 |
| 3N103 | PNP | 40 | 50 | 0.3 | 50 | 50 | | 3 |
| 3N104 | PNP | 50 | 60 | 0.3 | 50 | 50 | | 3 |
| 3N105 | PNP | 15 | 20 | 5 | 100 | 250 | | 1 |
| 3N106 | PNP | 30 | 40 | 5 | 100 | 250 | | 1 |
| 3N107 | PNP | 50 | 60 | 5 | 100 | 250 | | 1 |
| 3N108 | PNP | 50 | 50 | 0.1 | 50 | 30 | | 12 |
| 3N110 | PNP | 30 | 50 | 0.5 | 50 | 30 | | 12 |
| 3N111 | PNP | 30 | 50 | 0.5 | 50 | 150 | | 12 |
| 3N114 | PNP | 12 | 30 | 1 | 50 | 50 | | 12 |
| 3N115 | PNP | 12 | 25 | 1 | 50 | 100 | | 12 |
| 3N116 | PNP | 12 | 30 | 1 | 50 | 200 | | 12 |
| 3N117 | PNP | 20 | 50 | 1 | 50 | 50 | | 12 |
| 3N118 | PNP | 20 | 50 | 1 | 50 | 100 | | 12 |
| 3N119 | PNP | 20 | 50 | 1 | 50 | 200 | | 12 |
| 3N120 | NPN | 20 | 10 | 0.5 | 25 | 10 | | 40 |
| 3N121 | NPN | 20 | 10 | 0.5 | 25 | 10 | | 40 |
| 3N123 | PNP | 25 | 30 | 1.0 | 100 | 250 | | 6 |
| 3N129 | PNP | 10 | 20 | 0.3 | 15 | 30 | | 8 |
| 3N130 | PNP | 20 | 30 | 0.3 | 15 | 30 | | 8 |
| 3N131 | PNP | 30 | 40 | 0.3 | 15 | 30 | | 8 |
| 3N132 | PNP | 40 | 50 | 0.3 | 15 | 30 | | 8 |
| 3N133 | PNP | 50 | 60 | 0.3 | 15 | 30 | | 8 |
| 3N134 | PNP | 15 | 20 | 5 | 15 | 100 | | |
| 3N135 | PNP | 30 | 40 | 5 | 15 | 100 | | |
| 3N136 | PNP | 50 | 60 | 5 | 15 | 100 | | |



*Geometry 481 (3N74-3N76) Available as JAN, JAN-TX, JANTX-V

** May be supplied with minor spec. deviations. Contact Factory.

