

0.5 watt dc-dc converters

- SMD PACKAGE
- UL94-VO PACKAGE
- LOW RIPPLE & NOISE
- EFFICIENCY UP TO 70%
- INPUT/OUTPUT ISOLATIONS OF 1000 & 3000VDC
- OPERATING TEMPERATURE: -40°C ... +85°C
- UNREGULATED
- PIN-COMPATIBLE WITH MULTIPLE MANUFACTURERS

GENERAL DESCRIPTION

Our AM1/2L-N series is a family of cost effective 1/2W single and dual output DC/DC converters. These converters combine a miniature SMD package and high performance features such as a 1000 & 3000VDC input/output isolation voltages, continuous short circuit protection and a tight line / load regulation.

96 models operate from input voltages of 3.3, 5, 12 and 24VDC producing output voltages of 3.3, 5, 9, 12, 15, 24, ± 3.3 , ± 5 , ± 9 , ± 12 , ± 15 & ± 24 VDC. Full SMD design and a 100% production test of parameters ensures a high reliability in this product.

ELECTRICAL SPECIFICATIONS

All specifications valid at nominal input voltage, full load and +25°C after warm-up time unless otherwise stated.

Input Specifications:

Voltage range	$\pm 10\%$
Filter	Capacitor

Isolation Specifications:

Rated voltage (60 sec)	1000 & 3000VDC
Resistance	> 1000MOhm
Capacitance	60pF, typ.

Environmental Specifications:

Operating temperature (ambient)	-40°C ... +85°C
Storage temperature	-55°C ... +125°C
Case Temperature	+95°C, max.
Derating	None required
Humidity (non-condensing)	Up to 95%
Cooling	Free-air Convection

General Specifications:

Efficiency	70%, typ.
Switching frequency (Single)	100KHz, typ., 100% load
Switching frequency (Dual)	150KHz typ., 100% load

Output Specifications:

Voltage accuracy	$\pm 5\%$, max.
Voltage balance (Dual Output)	$\pm 2\%$
Ripple & Noise (at 20MHz BW)	75m Vp-p, typ.
Short circuit protection	1 sec.
Line voltage regulation	$\pm 1.2\%$ max. for 1% of Vin
Load voltage regulation	10%, typ. (10...100% load)
Temperature coefficient	$\pm 0.03\%/^{\circ}\text{C}$, max.

Physical Specifications:

Dimensions (Single)	12.70x11.20x6.30mm
Dimensions (Dual)	15.30x11.20x6.30mm
Dimensions (S&D@3000VDC)	15.20x11.20x6.00mm
Weight	1.5g
Case material	UL94-VO Plastic

MTBF: > 3,500,000 hrs (MIL-HDBK-217F, Ground Benign, $t=+25^{\circ}\text{C}$)

Specifications are subject to change without notification.

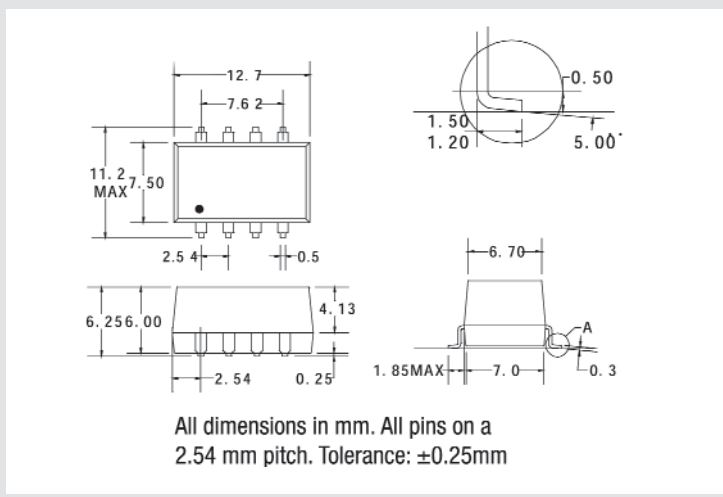
Continued on next page

MODELS Single Output

@ 1000VDC	@ 3000VDC	Input Voltage	Output Voltage	Max. Output Current
AM1/2L-0303S-N	AM1/2L-0303SH30-N	3.3V±10%	3.3VDC	152mA
AM1/2L-0305S-N	AM1/2L-0305SH30-N		5VDC	100mA
AM1/2L-0309S-N	AM1/2L-0309SH30-N		9VDC	55mA
AM1/2L-0312S-N	AM1/2L-0312SH30-N		12VDC	40mA
AM1/2L-0315S-N	AM1/2L-0315SH30-N		15VDC	33mA
AM1/2L-0324S-N	AM1/2L-0324SH30-N		24VDC	20mA
AM1/2L-0503S-N	AM1/2L-0503SH30-N	5V±10%	3.3VDC	152mA
AM1/2L-0505S-N	AM1/2L-0505SH30-N		5VDC	100mA
AM1/2L-0509S-N	AM1/2L-0509SH30-N		9VDC	55mA
AM1/2L-0512S-N	AM1/2L-0512SH30-N		12VDC	40mA
AM1/2L-0515S-N	AM1/2L-0515SH30-N		15VDC	33mA
AM1/2L-0524S-N	AM1/2L-0524SH30-N		24VDC	20mA
AM1/2L-1203S-N	AM1/2L-1203SH30-N	12V±10%	3.3VDC	152mA
AM1/2L-1205S-N	AM1/2L-1205SH30-N		5VDC	100mA
AM1/2L-1209S-N	AM1/2L-1209SH30-N		9VDC	55mA
AM1/2L-1212S-N	AM1/2L-1212SH30-N		12VDC	40mA
AM1/2L-1215S-N	AM1/2L-1215SH30-N		15VDC	33mA
AM1/2L-1224S-N	AM1/2L-1224SH30-N		24VDC	20mA
AM1/2L-2403S-N	AM1/2L-2403SH30-N	24V±10%	3.3VDC	152mA
AM1/2L-2405S-N	AM1/2L-2405SH30-N		5VDC	100mA
AM1/2L-2409S-N	AM1/2L-2409SH30-N		9VDC	55mA
AM1/2L-2412S-N	AM1/2L-2412SH30-N		12VDC	40mA
AM1/2L-2415S-N	AM1/2L-2415SH30-N		15VDC	33mA
AM1/2L-2424S-N	AM1/2L-2424SH30-N		24VDC	20mA

DC-DC CONVERTERS

OUTLINE DIMENSIONS & PIN CONNECTIONS - SINGLE @ 1000VDC



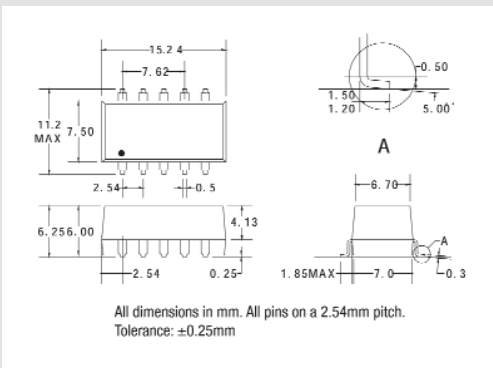
Pin	Single Output
1	-V Input
2	+V Input
3	N.C.
4	-V Output
5	+V Output
6	N.C.
7	N.C.
8	N.C.

Continued on next page

MODELS Dual Output

@ 1000VDC	@ 3000VDC	Input Voltage	Output Voltage	Max. Output Current
AM1/2L-0303D-N	AM1/2L-0303DH30-N	3.3V±10%	±3.3VDC	±76mA
AM1/2L-0305D-N	AM1/2L-0305DH30-N		±5VDC	±50mA
AM1/2L-0309D-N	AM1/2L-0309DH30-N		±9VDC	±28mA
AM1/2L-0312D-N	AM1/2L-0312DH30-N		±12VDC	±22mA
AM1/2L-0315D-N	AM1/2L-0315DH30-N		±15VDC	±19mA
AM1/2L-0324D-N	AM1/2L-0324DH30-N		±24VDC	±10mA
AM1/2L-0503D-N	AM1/2L-0503DH30-N	5V±10%	±3.3VDC	±76mA
AM1/2L-0505D-N	AM1/2L-0505DH30-N		±5VDC	±50mA
AM1/2L-0509D-N	AM1/2L-0509DH30-N		±9VDC	±28mA
AM1/2L-0512D-N	AM1/2L-0512DH30-N		±12VDC	±22mA
AM1/2L-0515D-N	AM1/2L-0515DH30-N		±15VDC	±19mA
AM1/2L-0524D-N	AM1/2L-0524DH30-N		±24VDC	±10mA
AM1/2L-1203D-N	AM1/2L-1203DH30-N	12V±10%	±3.3VDC	±76mA
AM1/2L-1205D-N	AM1/2L-1205DH30-N		±5VDC	±50mA
AM1/2L-1209D-N	AM1/2L-1209DH30-N		±9VDC	±28mA
AM1/2L-1212D-N	AM1/2L-1212DH30-N		±12VDC	±22mA
AM1/2L-1215D-N	AM1/2L-1215DH30-N		±15VDC	±19mA
AM1/2L-1224D-N	AM1/2L-1224DH30-N		±24VDC	±10mA
AM1/2L-2403D-N	AM1/2L-2403DH30-N	24V±10%	±3.3VDC	±76mA
AM1/2L-2405D-N	AM1/2L-2405DH30-N		±5VDC	±50mA
AM1/2L-2409D-N	AM1/2L-2409DH30-N		±9VDC	±28mA
AM1/2L-2412D-N	AM1/2L-2412DH30-N		±12VDC	±22mA
AM1/2L-2415D-N	AM1/2L-2415DH30-N		±15VDC	±19mA
AM1/2L-2424D-N	AM1/2L-2424DH30-N		±24VDC	±10mA

OUTLINE DIMENSIONS & PIN CONNECTIONS - DUAL @ 1000VDC

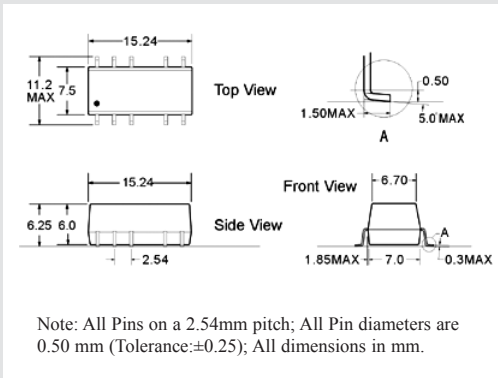


Pin	Dual Output
1	-V Input
2	+V Input
3	N.C.
4	Common
5	-V Output
6	N.C.
7	+V Output
8	N.C.
9	N.C.
10	N.C.

EXTERNAL CAPACITOR TABLE

Vin	Ext. Cap.	Vout	Ext. Cap.
5VDC	4.7uF	5VDC	4.7uF
12VDC	2.2uF	9VDC	2.2uF
24VDC	1uF	12VDC	1uF

OUTLINE DIMENSIONS & PIN CONNECTIONS FOR SINGLE & DUAL @ 3000VDC

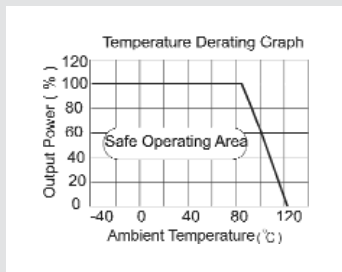
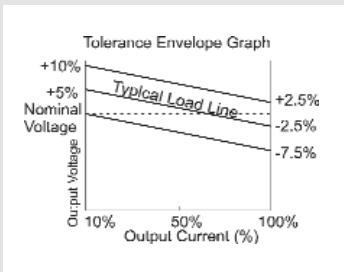


Pin	Single	Dual
1	-V Input	-V Input
2	+V Input	+V Input
3	N.C.	N.C.
5	-V Output	Common
6	N.C.	-V Output
7	N.C.	N.C.
8	+V Output	+V Output
10	N.C.	N.C.
11	N.C.	N.C.
12	N.C.	N.C.

EXTERNAL CAPACITOR TABLE

Vin	Ext. Cap.	Vout	Ext. Cap.
5VDC	4.7uF	5VDC	4.7uF
12VDC	2.2uF	9VDC	2.2uF
24VDC	1uF	12VDC	1uF
-	-	15VDC	0.47uF

TYPICAL CHARACTERISTICS



APPLICATION NOTE

General Application

In regular circuits, our company's DC/DC converters may be used directly without any peripheral components (see Figure 2). The basic input/output isolation may be used to provide a group of simple isolated polar output power supplies or to generate power supply lines of different voltages.

Voltage And Polarity Inversion

A key performance of this DC/DC converter is high electric isolation capability. Thus, only one DC/DC converter may allow for several potential differences in the layout of circuit board. If necessary, you may connect the output end of the positive to input ground, then the negative output end will generate a negative voltage (see Figure 1).

Filtering

In some circuits which are sensitive to noise and ripple, a filtering capacitor may be added to the DC/DC output end and input end to reduce the noise and ripple. However, the capacitance of the output filter capacitor must be proper. If the capacitance is too big, a startup problem might arise. For every channel of output provided the safe and reliable operation is ensured, the greatest capacitance of its filtering capacitor sees the External Capacitor Table. To get an extremely low ripple, a "LC" filter network may be connected to the input and output ends of the DC/DC converter, which may produce a more significant filtering effect. It should also be noted that the inductance and the frequency of the "LC" filter network should be staggered with the DC/DC frequency to avoid mutual interference (see Figure 3).

Requirement On Output Load

To ensure this module can operate efficiently and reliably, a minimum load is specified for this kind of DC/DC converter in addition to a maximum load (namely full load). During operation, make sure the specified range of input voltage is not exceeded, the minimum output load is not less than 10% of the full load, and that this product should never be operated under no load!!! If the actual output power is very small, please connect a resistor with proper resistance at the output end in parallel to increase the load.

Overload Protection

Under normal operating conditions, the output circuit of these products has no protection against over-current and short-circuits. The simplest method is to connect a self-recovery fuse in series at the input end or add a circuit breaker to the circuits.

Output Voltage Regulation and Over-voltage Protection Circuit

The simplest device for output voltage regulation, over-voltage and over-current protection is a linear voltage stabilizer with overheat protection that is connected to the input or output end in series (see Figure 4).

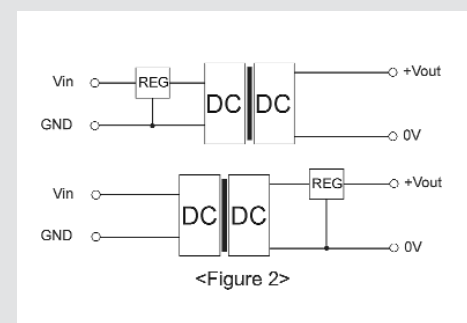
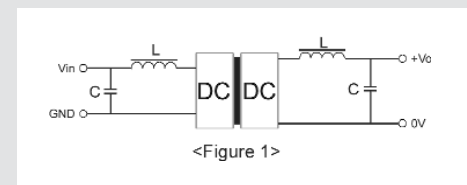
Product Reliability

The MTBF is the mean time between failures under full load. If the actual load is less than 20% of the rated load or greater than the rated load, then this product's reliability will be greatly reduced.

Input Polarity Protection

Under normal conditions, this product's input circuit has no protection against polarity inversion; the solution is to connect a diode in series at the input.

SINGLE OUTPUT MODELS



DUAL OUTPUT MODELS

