

# Ceramic Filters for Communication

**Token Ceramic Filters to Address the G.D.T. Characteristics for Communication (Murata CF, SF Compatible)**



## ▶ Preview

Token ceramic filters for communication LT 455/450 U/W series are 4-element and 6-element devices connected in ladder form. These highly selective filters are designed to address the G.D.T. characteristics required in digital communications.

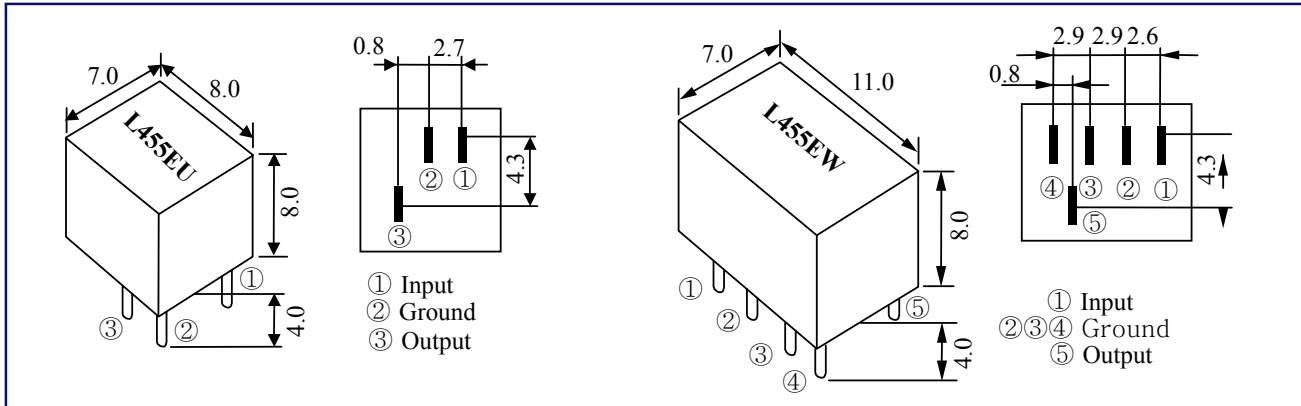
The excellent G.D.T. characteristics allow these filters to be utilized in areas such as the mobile cellular markets as well as a variety of stereo applications. (Also available in 450kHz version.)

Custom parts are available on request. Token will also produce devices outside these specifications to meet specific customer requirements, please contact our sales for more information.

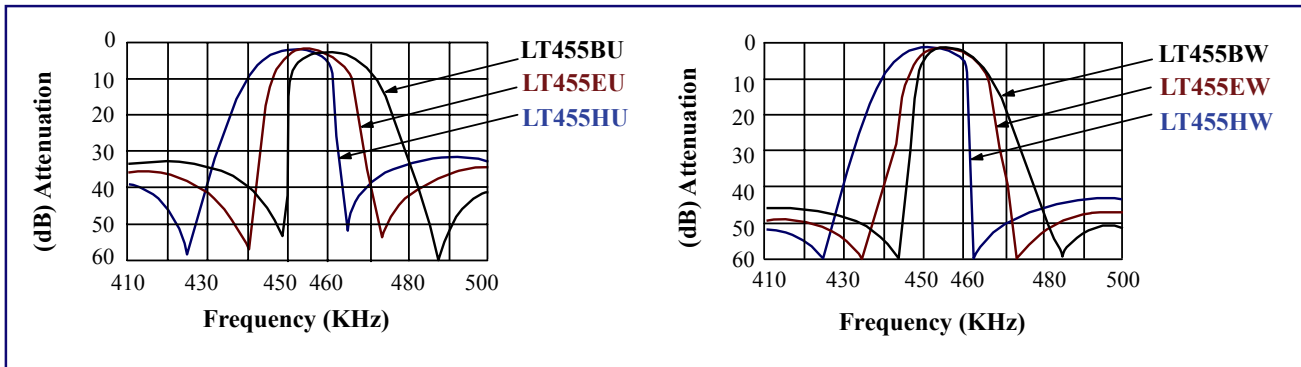
## ▶ Benefit Features :

- LT455 EU Dimensions: (7.0 x 8.0 x 8.0 mm).
- LT455 EW Dimensions: (7.0 x 11.0 x 8.0 mm).
- Center frequency: 450kHz, 455kHz.
- Pass Band Ripple (dB) max: 2 db.
- Insertion Loss (dB) max: 4 db, 6 db.
- Input / Output Impedance: 1000Ω ~ 2000Ω.

## Dimensions



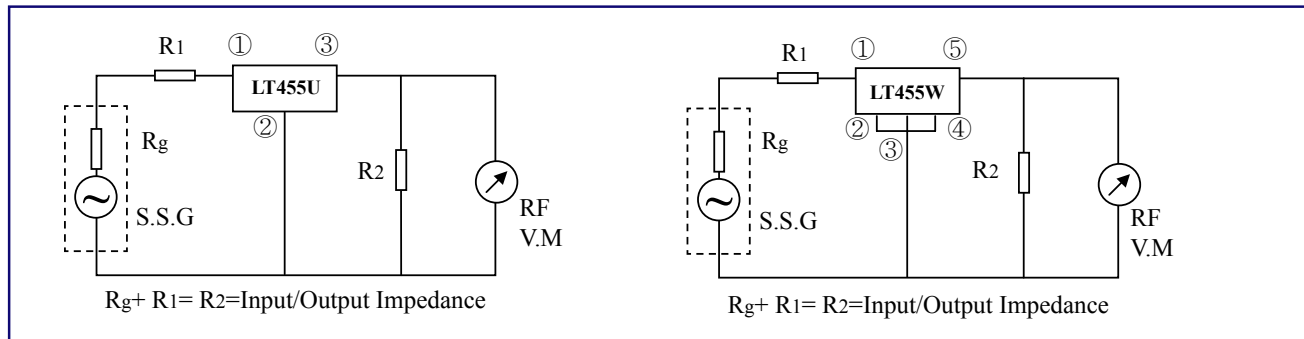
## Technical Characteristics



| Part Number |          | Center Frequency (kHz) | Insertion Loss (dB) max | Pass Band Ripple (dB) max | 6dB Band Width (kHz) min | 40dB Band Width (kHz) max (LT455U) | 50dB Band Width (kHz) max (LT455W) | Spurious Attenuation fo±100kHz (dB) min |            | Input / Output Impedance (Ω) |
|-------------|----------|------------------------|-------------------------|---------------------------|--------------------------|------------------------------------|------------------------------------|---|------------|------------------------------|
|             |          |                        |                         |                           |                          |                                    |                                    | (LT 455 U)                              | (LT 455 W) |                              |
| LT455AU     | LT455AW  | 455±2.0                | 4                       | 2                         | ±17.5                    | ±40                                | ±35                                | 28                                      | 40         | 1000                         |
| LT455BU     | LT455BW  | 455±2.0                | 4                       | 2                         | ±15                      | ±30                                | ±30                                | 28                                      | 40         | 1500                         |
| LT455CU     | LT455CW  | 455±2.0                | 4                       | 2                         | ±12.5                    | ±24                                | ±24                                | 28                                      | 40         | 1500                         |
| LT455DU     | LT455DW  | 455±1.5                | 4                       | 2                         | ±10                      | ±20                                | ±20                                | 28                                      | 40         | 1500                         |
| LT455EU     | LT455EW  | 455±1.5                | 6                       | 2                         | ±7.5                     | ±15                                | ±15                                | 28                                      | 40         | 1500                         |
| LT455FU     | LT455FW  | 455±1.5                | 6                       | 2                         | ±6                       | ±12.5                              | ±12.5                              | 28                                      | 40         | 2000                         |
| LT455GU     | LT455GW  | 455±1.5                | 6                       | 2                         | ±4.5                     | ±10                                | ±10                                | 28                                      | 40         | 2000                         |
| LT455HU     | LT455HW  | 455±1.0                | 6                       | 2                         | ±3                       | ±9                                 | ±9                                 | 28                                      | 40         | 2000                         |
| LT455IU     | LT455IW  | 455±1.0                | 6                       | 2                         | ±2                       | ±7.5                               | ±7.5                               | 28                                      | 40         | 2000                         |
| LT455HTU    | LT455HTW | 455±1.0                | 6                       | 2                         | ±3                       | ±9                                 | ±9                                 | 35                                      | 60         | 2000                         |

Note: Center frequency 450kHz is also available.

## ▶ Test Circuit



## ▶ How to Order

LT455BU

❶

P

❷

❶ Part Number

❷ Package

*Back to 1st Page - Ceramic Filters for Communication - LT 455/450 U/W*