

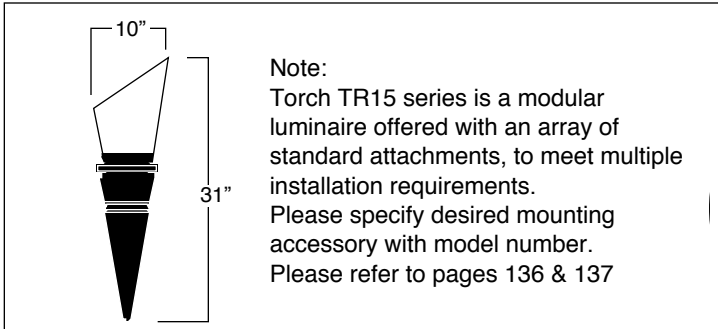
Specification

All exposed cast aluminum components are made of non corrosive pure aluminum copper free (Aluminum is less than .1% copper content.#356 alloy.)

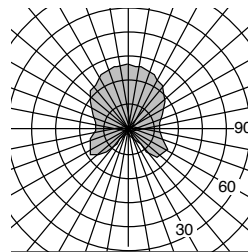
Finish: All polyester powder baked coatings preceded with a 5 baths preparation process. Meets military grade MIL-C781706 with a 2000 hours salt spray test.

- Pulse rated porcelain socket or 75W/600V thermoplastic compact fluorescent socket.
- One-piece molded silicone gasket with memory retention.
- High power factor CWA ballast. Or 98% P.F.electronic smart ballast with end of life detection for compact fluorescent.
- All stainless steel hardware.
- All Moving and removable parts are sealed with a memory retention silicone gasket.

- 1 - White translucent high impact acrylic conical diffuser with sealed luminous top.
- 2- Cast aluminum spacer ring.
- 3 - One piece cast aluminum cone housing .



Photometry

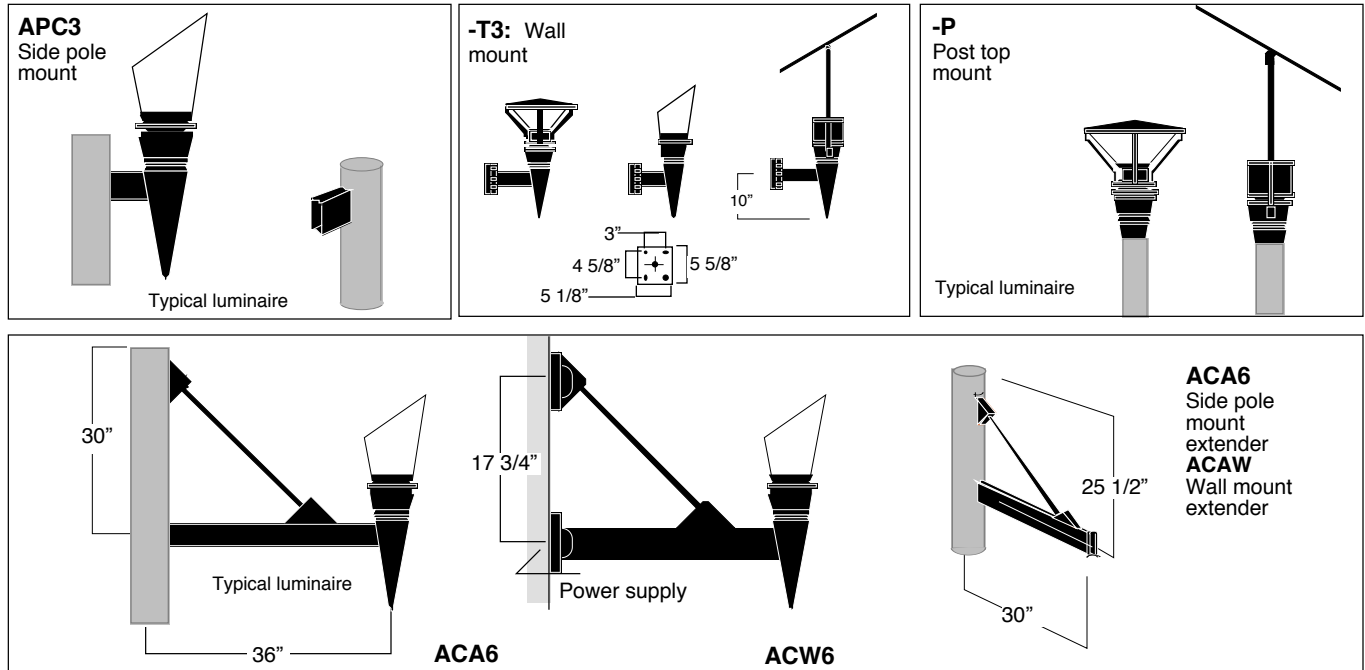


Separate updated technical specification sheets with related models and light sources with I.E.S formatted photometry are available on www.luminis.com.

Certification	Weight & EPA
UL. Wet Location.	E.P.A: 0.57 Max. weight: 22 lbs..

For options details and specifications, please refer to pages 103,136 & 137

Model#	Mounting	Light source selection	Voltage	Finish	Options
<input type="checkbox"/> TR15	<input type="checkbox"/> ACA6 <input type="checkbox"/> ACW6 <input type="checkbox"/> APC3 <input type="checkbox"/> P <input type="checkbox"/> T3	<div style="display: flex; justify-content: space-between;"> <div> <input type="checkbox"/> MH (ED17) <input type="checkbox"/> M50 <input type="checkbox"/> M70 <input type="checkbox"/> M100 <input type="checkbox"/> M150 </div> <div> <input type="checkbox"/> CF (Gx24q) Single lamp <input type="checkbox"/> F132 <input type="checkbox"/> F142 <input type="checkbox"/> F157 <input type="checkbox"/> F170 <input type="checkbox"/> CF (Gx24q) Two lamp <input type="checkbox"/> F226 <input type="checkbox"/> F232 <input type="checkbox"/> F242 (Lamps by others) </div> </div>	120 V Standard factory prewired (If no voltage is specified) For other voltages, please specify with catalog number. <div style="border: 1px solid black; padding: 2px; display: inline-block;">H.I.D.</div> <input type="checkbox"/> 208 V <input type="checkbox"/> 240 V <input type="checkbox"/> 277 V <input type="checkbox"/> 347 V Compact fluorescent smart ballast 120/277 <input type="checkbox"/> 347 V (To specify) Note: 50W.HPS is available with 120/277V only.	(Refer to color chart) Standard selection <input type="checkbox"/> WHT: Snow white <input type="checkbox"/> BKT: Jet black <input type="checkbox"/> BZT: Bronze <input type="checkbox"/> GRT: Titanium gray <input type="checkbox"/> DGT: Gun metal <input type="checkbox"/> CHT: Champagne <input type="checkbox"/> MST: Matte silver <input type="checkbox"/> GNT: Forest green Optional colors <input type="checkbox"/> CS: Custom color <input type="checkbox"/> RAL: RAL# color	Electrical <input type="checkbox"/> FS: Fuse <input type="checkbox"/> PH1: 120/277V photo cell. <input type="checkbox"/> PH2: 347V photo cell. <input type="checkbox"/> QS: Standby lamp socket. <input type="checkbox"/> QRS: H.I.D. lamp restrike



ACA6 -EPA: 0.8

1" X 3" extruded aluminum side pole arm mount. 4" O.D X 30" lg. post top adaptor with a cast aluminum tenon to fit with a 3 3/4" I.D. pole. 1/2" dia. stainless steel rod support. Extruded arm and all other parts are painted same color as Luminaire.

ACW6- Wall mount version with independent cast aluminum mounting plates.

APC3 -EPA: 0.12

1" X 3" extruded aluminum side pole mounting adaptor. Fits with 4" O.D. pole.

-P

Post top mounting adaptor fits with 4" o.d.x 3 3/4" I.D.pole.

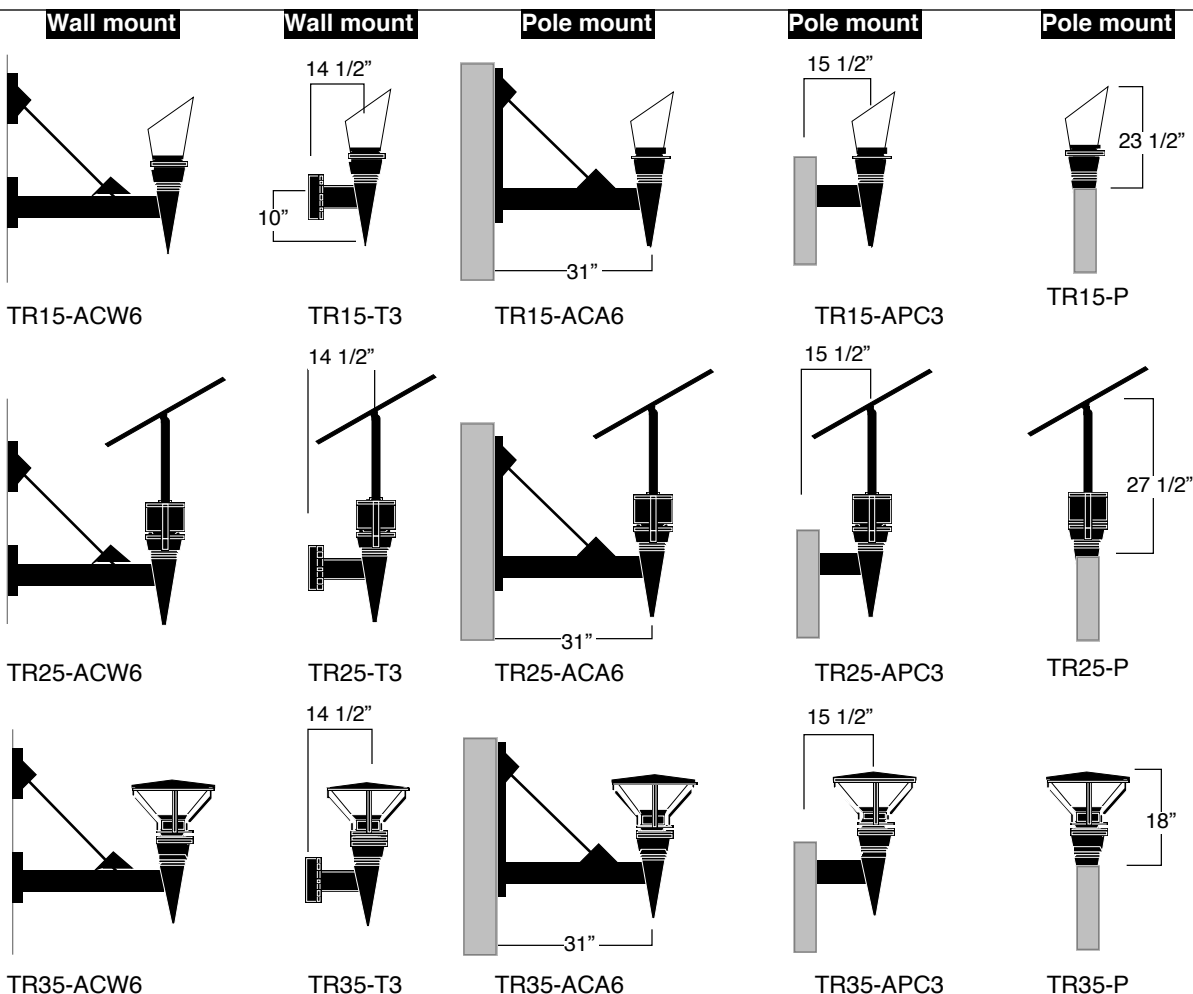
-T3

1" x 3" extruded aluminum wall mounting straight adaptor with cast aluminum cover and galvanized steel mounting plate.

Luminaires may be altered for improvements or discontinued without prior notice.

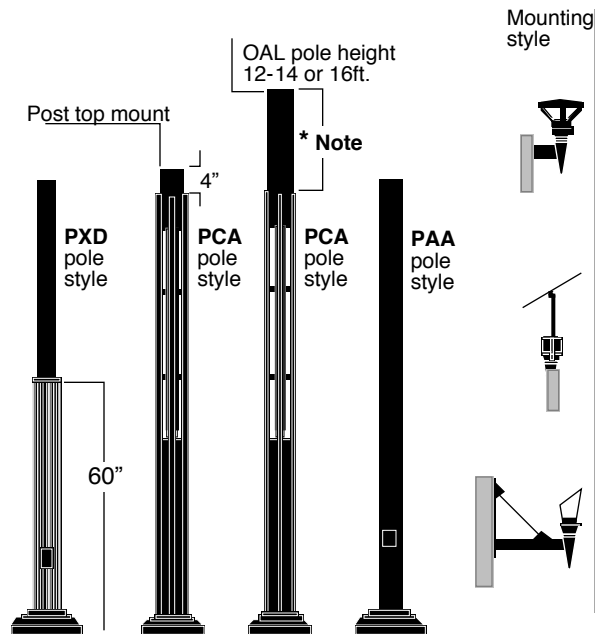
LUMINIS [USA] - 3555 NW 53rd Court, Fort Lauderdale, FL.33309 Tel: 954 .717 .4155 Fax: 954 . 717.4157
LUMINIS [Canada] - 87 C Brunswick D.D.O. Q.C. Canada H9B 2J5 Toll free: 888 .401 .6999

Web: www.luminis.com
 Sept. 2006 Rev. June.2007



* Note:
36" extension with ACA6 attachment
24" extension with APC3 attachment

Compatible poles listing.



Post side mount with APC3 attachment accessory				Pole height
4" O.D.	5" O.D.	4" O.D.	4" O.D.	
PAA410-APC	PAA510-APC		PXD10-APC	10 ft
PAA412-APC	PAA512-APC	PCA12-APC	PXD12-APC	12 ft
PAA414-APC	PAA514-APC	PCA14-APC	PXD14-APC	14 ft
PAA416-APC	PAA516-APC	PCA16-APC	PXD16-APC	16 ft
PAA418-APC	PAA518-APC		PXD18-APC	18 ft
PAA420-APC	PAA520-APC		PXD20-APC	20 ft
Post top mounting				
PAA410-A				10 ft
PAA412-A		PCA12-A	PXD12-A	12 ft
PAA414-A		PCA14-A	PXD14-A	14 ft
PAA416-A		PCA16-A	PXD16-A	16 ft
PAA418-A		PCA18-A	PXD18-A	18 ft
PAA420-A			PXD20-A	20 ft
Post side mount with ACA6 attachment accessory				
PAA414-ACA	PAA514-ACA	PCA14-ACA	PXD14-ACA	14 ft
PAA416-ACA	PAA516-ACA	PCA16-ACA	PXD16-ACA	16 ft
PAA418-ACA	PAA518-ACA		PXD18-ACA	18 ft
PAA420-ACA	PAA520-ACA		PXD20-ACA	20 ft

For poles details and specification, please refer to pages 140 to 144

Luminaires may be altered for design improvements or discontinued without prior notice.

LUMINIS [USA] - 3555 NW 53rd Court, Fort Lauderdale, FL.33309
LUMINIS [Canada] - 87 C Brunswick D.D.O. Q.C. Canada H9B 2J5

Tel: 954 . 717 . 4155 Fax: 954 . 717.4157
Toll free: 888 .401 .6999

Web: www.luminis.com
Sept. 2006 Rev. June.2007