

# LP3917

## CDMA Cellular Phone Power Management Unit

### General Description

LP3917 is a complete Power Management Unit designed for CDMA cellular phones. LP3917 PMU contains 9 low noise low dropout voltage regulators, 2 buck regulators, an USB Transceiver, two comparators and a high speed serial interface to program on/off conditions and output voltages of individual regulators, and to read status information of the PMU.

Buck regulators have an automatic switch to PFM mode at low load conditions allowing very good efficiency also at low output currents.

LDO regulators provide very low noise, 35  $\mu$ V typ, ideally suited for supplying voltage to RF section.

Two comparators can be used for detecting external accessories like ear plug etc.

LP3917 can use interrupt for alerting BB processor of status changes instead of using inefficient status polling.

### Key Specifications

- 3.0V to 5.5V Input Voltage Range
- 170 mV typ Dropout Voltage on LDO's @ 300 mA
- 2% (typ) Output Voltage accuracy on LDO's
- 35  $\mu$ V noise on LDO's
- 800/600 mA Buck regulators with 3% (typ) Accuracy and up to 90% efficiency

### Features

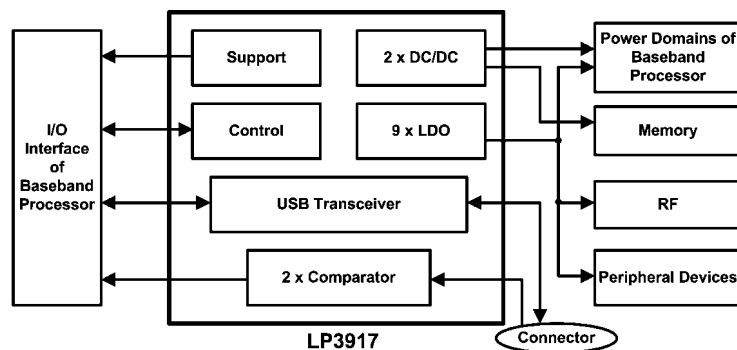
- Two high efficiency Synchronous Magnetic Buck Regulators,  $I_{OUT}$  800 mA and 600 mA  
High efficiency PFM mode @ low  $I_{OUT}$   
Auto Mode PFM/PWM switch
- Low inductance 2.2  $\mu$ H @ 2 MHz clock
- 9 Low Noise LDO's  
3 x 300 mA  
5 x 150 mA  
1 x 80 mA
- SW controllable LDO outputs
- USB 2.0 compatible Transceiver (12 Mbps)
- Thermal Shutdown with Early Warning Alarm
- Very low Sleep mode current
- Battery Voltage Monitor output
- Interrupt Request for reducing SW polling
- Ultra small 3.5x3.5 mm Micro SMDxt 49 bump package

### Applications

- CDMA Handsets

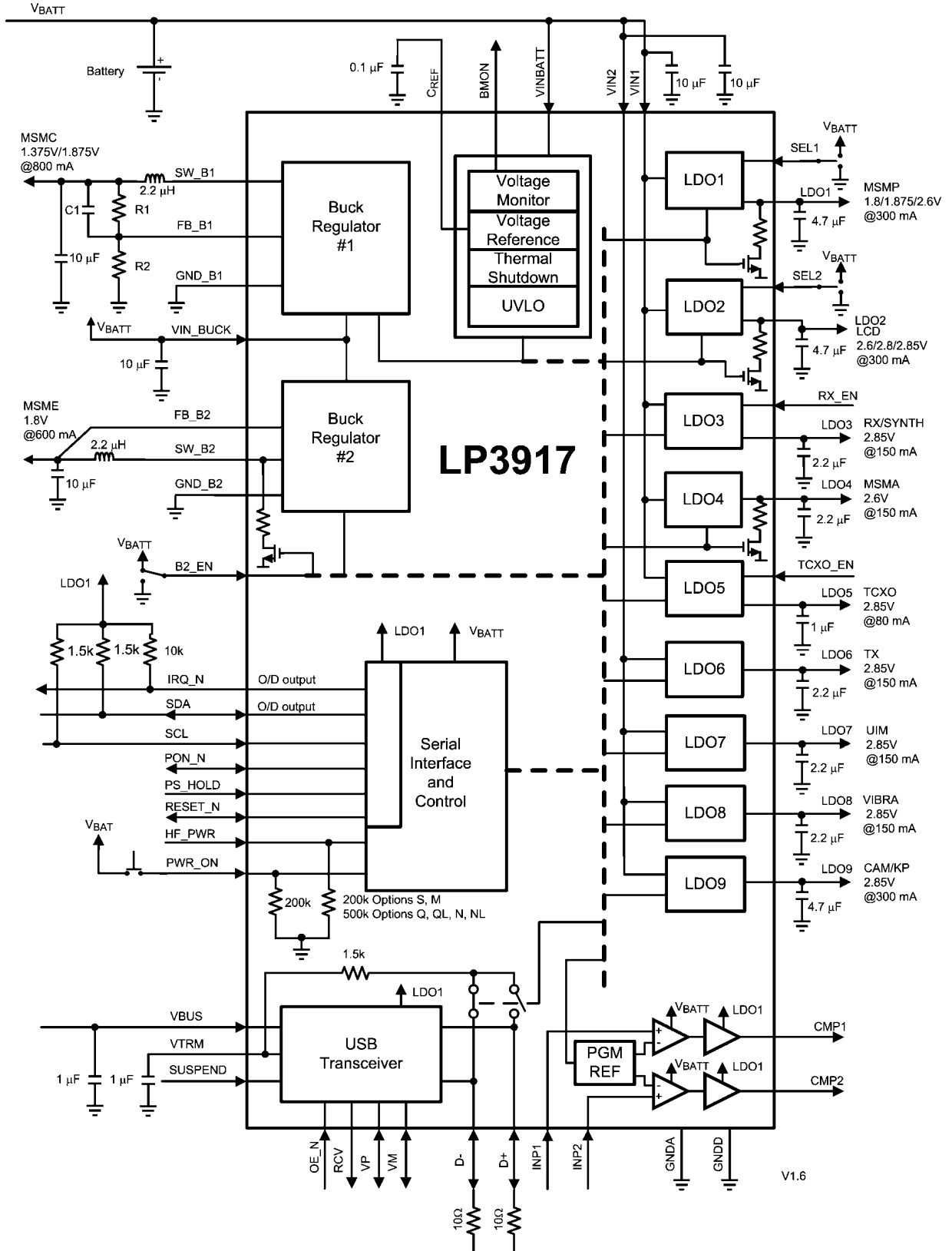
Please contact NSC Sales for a full datasheet for the device.

### System Diagram



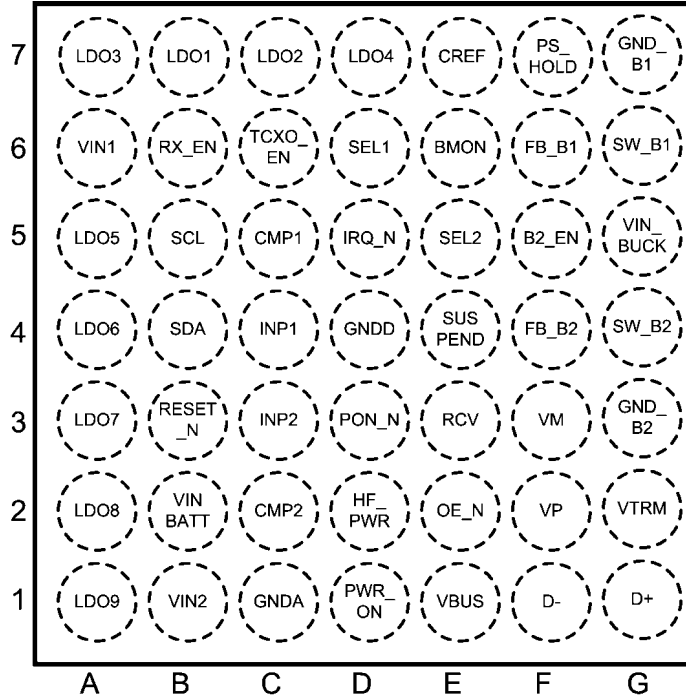
20176201

# Typical Application Diagram



20176202

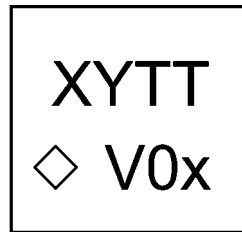
## Device Pin Diagram



TOP VIEW

20176203

## Package Marking Information



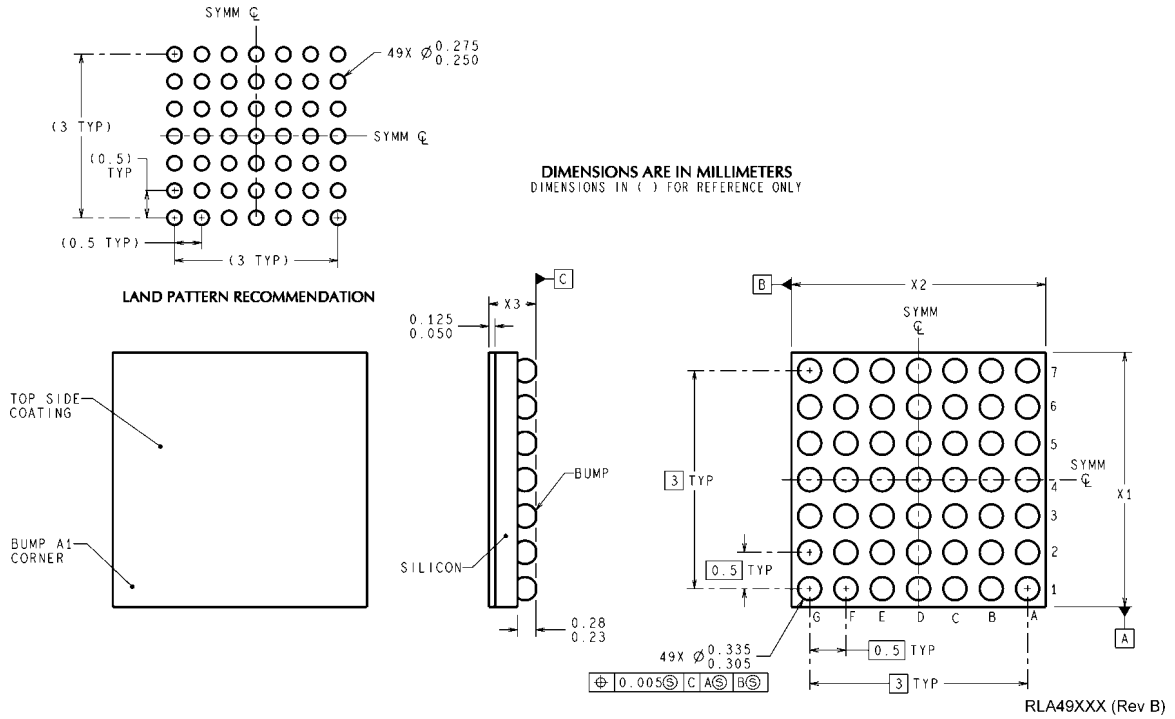
XY = 2 Digit Date Code  
 TT = Die Traceability  
 V0x = LP3917 Product ID  
 ◇ = Pin 1A

20176204

## Ordering Information

Startup	HF_PWR trigger	LK Option	Part Number	Package Marking	Supplied As	NSC Drawing
Sequential	Edge	No	LP3917RL-S	V01	250 units tape and reel	RLA49
			LP3917RLX-S		1000 units tape and reel	
Non-Sequential	Edge	No	LP3917RL-M	V05	250 units tape and reel	
			LP3917RLX-M		1000 units tape and reel	
Sequential	Level	No	LP3917RL-Q	V04	250 units tape and reel	
			LP3917RLX-Q		1000 units tape and reel	
Sequential	Level	Yes	LP3917RL-QL	V06	250 units tape and reel	
			LP3917RLX-QL		1000 units tape and reel	
Non-Sequential	Level	No	LP3917RL-N	V03	250 units tape and reel	
			LP3917RLX-N		1000 units tape and reel	
Non-Sequential	Level	Yes	LP3917RL-NL	V07	250 units tape and reel	
			LP3917RLX-NL		1000 units tape and reel	

# Physical Dimensions inches (millimeters) unless otherwise noted



**Micro SMDxt 49 Package**  
**NS Package Number MKT-RLA49AAA**  
**X1 = 3.465mm ± 0.030mm**  
**X2 = 3.465mm ± 0.030mm**  
**X3 = 0.650mm ± 0.075mm**

# Notes

## Notes

THE CONTENTS OF THIS DOCUMENT ARE PROVIDED IN CONNECTION WITH NATIONAL SEMICONDUCTOR CORPORATION ("NATIONAL") PRODUCTS. NATIONAL MAKES NO REPRESENTATIONS OR WARRANTIES WITH RESPECT TO THE ACCURACY OR COMPLETENESS OF THE CONTENTS OF THIS PUBLICATION AND RESERVES THE RIGHT TO MAKE CHANGES TO SPECIFICATIONS AND PRODUCT DESCRIPTIONS AT ANY TIME WITHOUT NOTICE. NO LICENSE, WHETHER EXPRESS, IMPLIED, ARISING BY ESTOPPEL OR OTHERWISE, TO ANY INTELLECTUAL PROPERTY RIGHTS IS GRANTED BY THIS DOCUMENT.

TESTING AND OTHER QUALITY CONTROLS ARE USED TO THE EXTENT NATIONAL DEEMS NECESSARY TO SUPPORT NATIONAL'S PRODUCT WARRANTY. EXCEPT WHERE MANDATED BY GOVERNMENT REQUIREMENTS, TESTING OF ALL PARAMETERS OF EACH PRODUCT IS NOT NECESSARILY PERFORMED. NATIONAL ASSUMES NO LIABILITY FOR APPLICATIONS ASSISTANCE OR BUYER PRODUCT DESIGN. BUYERS ARE RESPONSIBLE FOR THEIR PRODUCTS AND APPLICATIONS USING NATIONAL COMPONENTS. PRIOR TO USING OR DISTRIBUTING ANY PRODUCTS THAT INCLUDE NATIONAL COMPONENTS, BUYERS SHOULD PROVIDE ADEQUATE DESIGN, TESTING AND OPERATING SAFEGUARDS.

EXCEPT AS PROVIDED IN NATIONAL'S TERMS AND CONDITIONS OF SALE FOR SUCH PRODUCTS, NATIONAL ASSUMES NO LIABILITY WHATSOEVER, AND NATIONAL DISCLAIMS ANY EXPRESS OR IMPLIED WARRANTY RELATING TO THE SALE AND/OR USE OF NATIONAL PRODUCTS INCLUDING LIABILITY OR WARRANTIES RELATING TO FITNESS FOR A PARTICULAR PURPOSE, MERCHANTABILITY, OR INFRINGEMENT OF ANY PATENT, COPYRIGHT OR OTHER INTELLECTUAL PROPERTY RIGHT.

### LIFE SUPPORT POLICY

**NATIONAL'S PRODUCTS ARE NOT AUTHORIZED FOR USE AS CRITICAL COMPONENTS IN LIFE SUPPORT DEVICES OR SYSTEMS WITHOUT THE EXPRESS PRIOR WRITTEN APPROVAL OF THE CHIEF EXECUTIVE OFFICER AND GENERAL COUNSEL OF NATIONAL SEMICONDUCTOR CORPORATION.** As used herein:

Life support devices or systems are devices which (a) are intended for surgical implant into the body, or (b) support or sustain life and whose failure to perform when properly used in accordance with instructions for use provided in the labeling can be reasonably expected to result in a significant injury to the user. A critical component is any component in a life support device or system whose failure to perform can be reasonably expected to cause the failure of the life support device or system or to affect its safety or effectiveness.

National Semiconductor and the National Semiconductor logo are registered trademarks of National Semiconductor Corporation. All other brand or product names may be trademarks or registered trademarks of their respective holders.

Copyright© 2006 National Semiconductor Corporation

For the most current product information visit us at [www.national.com](http://www.national.com)



**National Semiconductor Americas Customer Support Center**  
 Email: [new.feedback@nsc.com](mailto:new.feedback@nsc.com)  
 Tel: 1-800-272-9959

**National Semiconductor Europe Customer Support Center**  
 Fax: +49 (0) 180-530-85-86  
 Email: [europe.support@nsc.com](mailto:europe.support@nsc.com)  
 Deutsch Tel: +49 (0) 69 9508 6208  
 English Tel: +49 (0) 870 24 0 2171  
 Français Tel: +33 (0) 1 41 91 8790

**National Semiconductor Asia Pacific Customer Support Center**  
 Email: [ap.support@nsc.com](mailto:ap.support@nsc.com)

**National Semiconductor Japan Customer Support Center**  
 Fax: 81-3-5639-7507  
 Email: [jpn.feedback@nsc.com](mailto:jpn.feedback@nsc.com)  
 Tel: 81-3-5639-7560