

Quad Chokes

Rated voltage 42 Vac/80 Vdc
Rated current 0,1 A
Rated inductance 0,2 to 6 mH

Construction

- Current-compensated ring core quad choke with ferrite core
- Plastic case

Features

- Suitable for automatic insertion
- Case flame-retardant as per UL 94 V-0

Applications

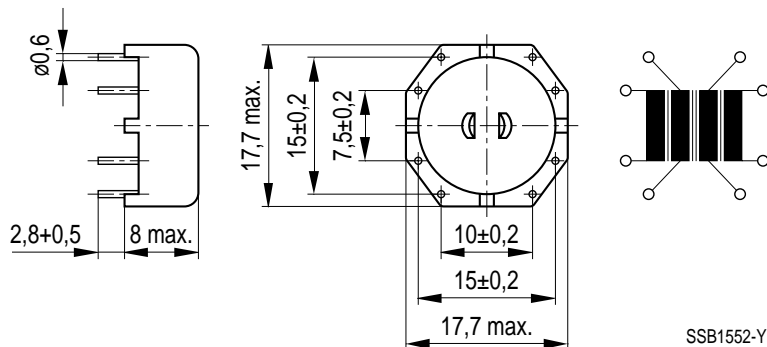
- Suppression of asymmetrical interference coupled in on data lines, already effective at 10 kHz, e.g. in
 - telephone lines (analog, ISDN)
 - interfaces with balanced-to-ground data transmission

Terminals

- Pins fitting standard PCB grid

Marking

Ordering code, rated inductance, manufacturer, date of manufacture (month, year)

Maßbild


Quad Chokes
General technical data

Rated voltage V_R	42 Vac (50/60 Hz); 80 Vdc
Rated current I_R	Referred to 50 Hz and 60 °C ambient temperature
Rated inductance L_R	Measured with HP 4275A at $L \leq 1 \text{ mH} = 100 \text{ kHz}, 0,1 \text{ mA}$; $L > 1 \text{ mH} = 10 \text{ kHz}, 0,1 \text{ mA}$ (specified per winding)
Inductance tolerance	$\pm 30 \%$
Inductance decrease $\Delta L/L_0$	$< 10 \%$ at dc magnetic bias with I_R
Stray inductance L_S	Measured at $L \leq 1 \text{ mH} = 100 \text{ kHz}, 5 \text{ mA}$; $L > 1 \text{ mH} = 10 \text{ kHz}, 5 \text{ mA}$
DC resistance R_{typ}	Typical values, measured at 20 °C ambient temperature
Climatic category	40/125/56 (– 40 °C/+ 125 °C/56 days damp heat test) in accordance with IEC 60068-1
Weight	Approx. 4 g

Characteristics and ordering codes

L_R mH	$L_{S, \text{typ}}$ μH	I_R mA	R_{typ} Ω	V_T Vdc, 2 s	Ordering code
6	3	100	0,92	750	B82791-G14-A12
4,7	2,5	100	0,90	750	B82791-G14-A16
0,2	1,5	100	0,18	750	B82791-G14-A17

**Impedance $|Z|$
versus frequency f**
