

Plastic Darlington Complementary Silicon Power Transistors

... designed for general purpose amplifier and high-speed switching applications.

- High DC Current Gain
 $h_{FE} = 1400$ (Typ) @ $I_C = 2.0$ Adc
- Collector-Emitter Sustaining Voltage — @ 10 mAdc
 $V_{CEO(sus)} = 45$ Vdc (Min) — BD776
 $= 60$ Vdc (Min) — BD777, 778
 $= 80$ Vdc (Min) — BD780
- Reverse Voltage Protection Diode
- Monolithic Construction with Built-in Base-Emitter output Resistor

MAXIMUM RATINGS

Rating	Symbol	BD776	BD777 BD778	BD780	Unit
Collector-Emitter Voltage	V_{CEO}	45	60	80	Vdc
Collector-Base Voltage	V_{CB}	45	60	80	Vdc
Emitter-Base Voltage	V_{EB}	5.0			Vdc
Collector Current — Continuous Peak	I_C	4.0 6.0			Adc
Base Current	I_B	100			mAdc
Total Device Dissipation $T_C = 25^\circ\text{C}$ — Derate above 25°C	P_D	15 0.12			Watts W/ $^\circ\text{C}$
Operating and Storage Junction Temperature Range	T_J, T_{stg}	-65 to +150			$^\circ\text{C}$

THERMAL CHARACTERISTICS

Characteristics	Symbol	Max	Unit
Thermal Resistance, Junction to Case	$R_{\theta JC}$	8.34	$^\circ\text{C/W}$
Thermal Resistance, Junction to Ambient	$R_{\theta JA}$	83.3	$^\circ\text{C/W}$

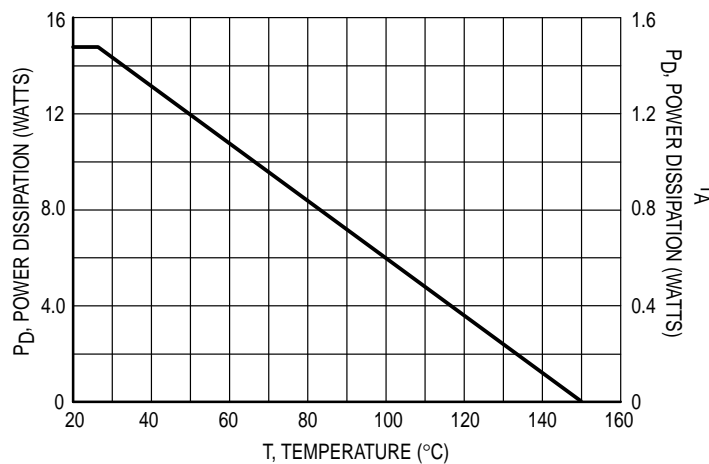


Figure 1. Power Derating

Preferred devices are Motorola recommended choices for future use and best overall value.

REV 7

NPN
BD777
PNP
BD776

BD778

BD780*

*Motorola Preferred Device

DARLINGTON
4-AMPERE
COMPLEMENTARY
SILICON
POWER TRANSISTORS
45, 60, 80 VOLTS
15 WATTS

CASE 77-08
TO-225AA TYPE

BD777 BD776 BD778 BD780

ELECTRICAL CHARACTERISTICS ($T_C = 25^\circ\text{C}$ unless otherwise noted)

Characteristic	Symbol	Min	Max	Unit	
OFF CHARACTERISTICS					
Collector–Emitter Sustaining Voltage (1) ($I_O = 10\text{ mAdc}$, $I_B = 0$)	BD776 BD777, BD778 BD780	$V_{CEO(sus)}$	45 60 80	— — —	Vdc
Collector Cutoff Current ($V_{CE} = 20\text{ Vdc}$, $I_B = 0$) ($V_{CE} = 30\text{ Vdc}$, $I_B = 0$) ($V_{CE} = 40\text{ Vdc}$, $I_B = 0$)	BD776 BD777, BD778 BD780	I_{CEO}	— — —	100 100 100	μA dc
Collector Cutoff Current ($V_{CB} = \text{Rated}$, $V_{CEO(sus)}$, $I_E = 0$) ($V_{CB} = \text{Rated}$, $V_{CEO(sus)}$, $I_E = 0$, $I_C = 100^\circ\text{C}$)		I_{CBO}	— —	1.0 100	μA dc
Emitter Cutoff Current ($V_{BE} = 5.0\text{ Vdc}$, $I_C = 0$)		I_{EBO}	—	1.0	μA dc

ON CHARACTERISTICS

DC Current Gain ($I_C = 2.0\text{ Adc}$, $V_{CE} = 3.0\text{ Vdc}$)	H_{FE}	750	—	
Collector–Emitter Saturation Voltage ($I_C = 1.5\text{ Adc}$, $I_B = 6\text{ mA}$ dc)	$V_{CE(Sat)}$	—	1.5	Vdc
Base Emitter Saturation Voltage ($I_C = 1.5\text{ Adc}$, $I_B = 6\text{ mA}$ dc)	$V_{BE(Sat)}$	—	2.5	Vdc
Base–Emitter On Voltage ($I_C = 1.5\text{ Adc}$, $V_{CE} = 3\text{ Vdc}$)	$V_{BE(On)}$	—	2.3	Vdc
Output Diode Voltage Drop ($I_{EC} = 2.0\text{ Adc}$)	V_{EC}	—	2.0	Vdc

DYNAMIC CHARACTERISTICS

Current Gain Bandwidth Product ($I_C = 1.0\text{ Adc}$, $V_{CE} = 2.0\text{ Vdc}$)	f_T	20	—	MHz
	Symbol	Min	Typ	Unit
Turn–On Time ($I_C = 250\text{ mA}$, $V_{CE} = 2\text{ V}$)	BD775–777 BD776–778–780	t_{on}	— 250 150	ns
Turn–Off Time ($I_C = 250\text{ mA}$, $V_{CE} = 2\text{ V}$)	BD775–777 BD776–778–780	t_{off}	— 600 400	ns

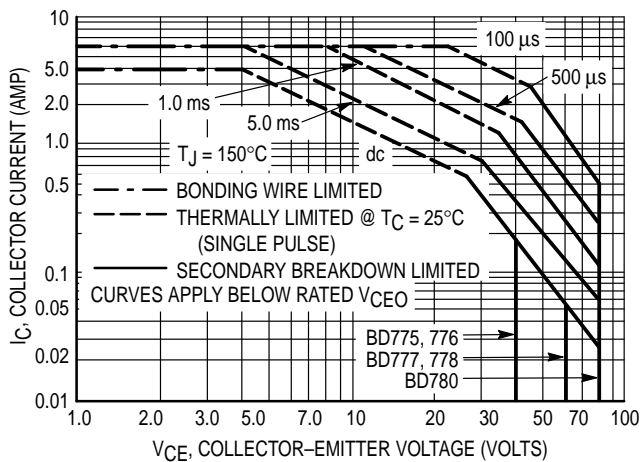


Figure 2. Active Region Safe Operating Area

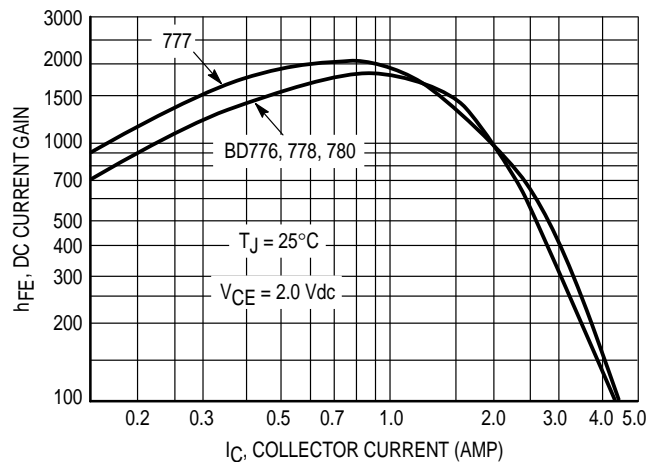


Figure 3. Typical DC Current Gain

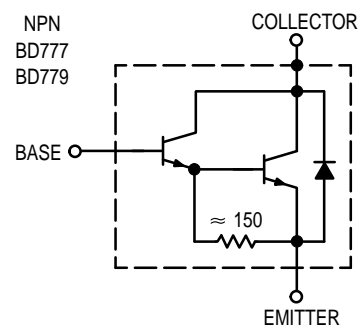
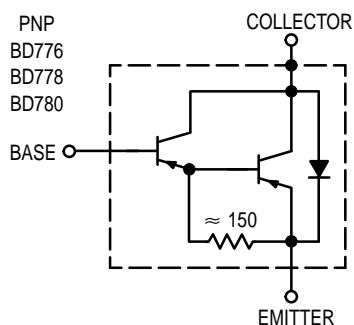
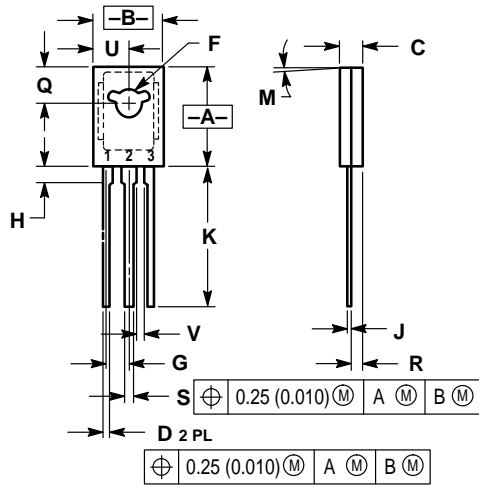


Figure 4. Darlington Circuit Schematic

PACKAGE DIMENSIONS




- NOTES:
 1. DIMENSIONING AND TOLERANCING PER ANSI Y14.5M, 1982.
 2. CONTROLLING DIMENSION: INCH.

DIM	INCHES		MILLIMETERS	
	MIN	MAX	MIN	MAX
A	0.425	0.435	10.80	11.04
B	0.295	0.305	7.50	7.74
C	0.095	0.105	2.42	2.66
D	0.020	0.026	0.51	0.66
F	0.115	0.130	2.93	3.30
G	0.094 BSC		2.39 BSC	
H	0.050	0.095	1.27	2.41
J	0.015	0.025	0.39	0.63
K	0.575	0.655	14.61	16.63
M	5° TYP		5° TYP	
Q	0.148	0.158	3.76	4.01
R	0.045	0.055	1.15	1.39
S	0.025	0.035	0.64	0.88
U	0.145	0.155	3.69	3.93
V	0.040	—	1.02	—

- STYLE 1:
 PIN 1. EMITTER
 2. COLLECTOR
 3. BASE

CASE 77-08
 TO-225AA TYPE
 ISSUE V

Motorola reserves the right to make changes without further notice to any products herein. Motorola makes no warranty, representation or guarantee regarding the suitability of its products for any particular purpose, nor does Motorola assume any liability arising out of the application or use of any product or circuit, and specifically disclaims any and all liability, including without limitation consequential or incidental damages. "Typical" parameters can and do vary in different applications. All operating parameters, including "Typicals" must be validated for each customer application by customer's technical experts. Motorola does not convey any license under its patent rights nor the rights of others. Motorola products are not designed, intended, or authorized for use as components in systems intended for surgical implant into the body, or other applications intended to support or sustain life, or for any other application in which the failure of the Motorola product could create a situation where personal injury or death may occur. Should Buyer purchase or use Motorola products for any such unintended or unauthorized application, Buyer shall indemnify and hold Motorola and its officers, employees, subsidiaries, affiliates, and distributors harmless against all claims, costs, damages, and expenses, and reasonable attorney fees arising out of, directly or indirectly, any claim of personal injury or death associated with such unintended or unauthorized use, even if such claim alleges that Motorola was negligent regarding the design or manufacture of the part. Motorola and  are registered trademarks of Motorola, Inc. Motorola, Inc. is an Equal Opportunity/Affirmative Action Employer.

How to reach us:

USA / EUROPE: Motorola Literature Distribution;
P.O. Box 20912; Phoenix, Arizona 85036. 1-800-441-2447

JAPAN: Nippon Motorola Ltd.; Tatsumi-SPD-JLDC, Toshikatsu Otsuki,
6F Seibu-Butsuryu-Center, 3-14-2 Tatsumi Koto-Ku, Tokyo 135, Japan. 03-3521-8315

MFAX: RMFAX0@email.sps.mot.com - TOUCHTONE (602) 244-6609
INTERNET: <http://Design-NET.com>

HONG KONG: Motorola Semiconductors H.K. Ltd.; 8B Tai Ping Industrial Park,
51 Ting Kok Road, Tai Po, N.T., Hong Kong. 852-26629298



BD777/D

