

Voltage Detector IC Series

Counter Timer Built-in CMOS Voltage Detector IC



BD45□□□G, BD46□□□G series

No.09006ECT06

● Description

ROHM's BD45□□□G and BD46□□□G series are highly accurate, low current consumption reset IC series. Because the counter's timer delay circuit is built into those series, an external capacitor for the delay time setting is unnecessary. The lineup was established with tow output types (Nch open drain and CMOS output) and detection voltages range from 2.3V to 4.8V in increments of 0.1V, so that the series may be selected according the application at hand.

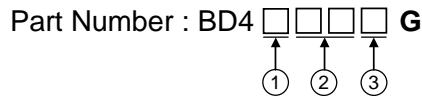
● Features

- 1) Detection voltage: 2.3V to 4.8V (Typ.), 0.1V steps
- 2) High accuracy detection voltage:±1.0%
- 3) Ultra-low current consumption: 0.85µA (Typ.)
- 4) Operating temperature range: -40°C to +105°C
- 5) Three internal, fixed delay time: 50ms, 100ms and 200ms
- 6) SSOP5 compact surface mount packages
- 7) Nch open drain output (BD45□□□G), CMOS output (BD46□□□G)

● Applications

All electronic devices that use microcontrollers and logic circuits

● Selection Guide



No.	Specifications	Description
①	Output Circuit Format	5:Open Drain Output, 6:CMOS Output
②	Detection Voltage	Example: Displays VDET over a 2.3V to 4.8V range in 0.1V increments. (2.9V is marked as "29")
③	Fixed Delay Times	5: 50ms(Typ.), 1: 100ms(Typ.) 2: 200ms(Typ.)

● Lineup

Detection Voltage	Marking	Part Number	Marking	Part Number	Marking	Part Number	Marking	Part Number	Marking	Part Number	Marking	Part Number
4.8V	T0	BD45485	TS	BD45481	UJ	BD45482	VA	BD46485	W2	BD46481	WU	BD46482
4.7V	T1	BD45475	TT	BD45471	UK	BD45472	VB	BD46475	W3	BD46471	WV	BD46472
4.6V	T2	BD45465	TU	BD45461	UL	BD45462	VC	BD46465	W4	BD46461	WW	BD46462
4.5V	T3	BD45455	TV	BD45451	UM	BD45452	VD	BD46455	W5	BD46451	WX	BD46452
4.4V	T4	BD45445	TW	BD45441	UN	BD45442	VE	BD46445	W6	BD46441	WY	BD46442
4.3V	T5	BD45435	TX	BD45431	UP	BD45432	VF	BD46435	W7	BD46431	WZ	BD46432
4.2V	T6	BD45425	TY	BD45421	UQ	BD45422	VG	BD46425	W8	BD46421	X0	BD46422
4.1V	T7	BD45415	TZ	BD45411	UR	BD45412	VH	BD46415	W9	BD46411	X1	BD46412
4.0V	T8	BD45405	U0	BD45401	US	BD45402	VJ	BD46405	WA	BD46401	X2	BD46402
3.9V	T9	BD45395	U1	BD45391	UT	BD45392	VK	BD46395	WB	BD46391	X3	BD46392
3.8V	TA	BD45385	U2	BD45381	UU	BD45382	VL	BD46385	WC	BD46381	X4	BD46382
3.7V	TB	BD45375	U3	BD45371	UV	BD45372	VM	BD46375	WD	BD46371	X5	BD46372
3.6V	TC	BD45365	U4	BD45361	UW	BD45362	VN	BD46365	WE	BD46361	X6	BD46362
3.5V	TD	BD45355	U5	BD45351	UX	BD45352	VP	BD46355	WF	BD46351	X7	BD46352
3.4V	TE	BD45345	U6	BD45341	UY	BD45342	VQ	BD46345	WG	BD46341	X8	BD46342
3.3V	TF	BD45335	U7	BD45331	UZ	BD45332	VR	BD46335	WH	BD46331	X9	BD46332
3.2V	TG	BD45325	U8	BD45321	V0	BD45322	VS	BD46325	WJ	BD46321	XA	BD46322
3.1V	TH	BD45315	U9	BD45311	V1	BD45312	VT	BD46315	WK	BD46311	XB	BD46312
3.0V	TJ	BD45305	UA	BD45301	V2	BD45302	VU	BD46305	WL	BD46301	XC	BD46302
2.9V	TK	BD45295	UB	BD45291	V3	BD45292	VV	BD46295	WM	BD46291	XD	BD46292
2.8V	TL	BD45285	UC	BD45281	V4	BD45282	VW	BD46285	WN	BD46281	XE	BD46282
2.7V	TM	BD45275	UD	BD45271	V5	BD45272	VX	BD46275	WP	BD46271	XF	BD46272
2.6V	TN	BD45265	UE	BD45261	V6	BD45262	VY	BD46265	WQ	BD46261	XG	BD46262
2.5V	TP	BD45255	UF	BD45251	V7	BD45252	VZ	BD46255	WR	BD46251	XH	BD46252
2.4V	TQ	BD45245	UG	BD45241	V8	BD45242	W0	BD46245	WS	BD46241	XJ	BD46242
2.3V	TR	BD45235	UH	BD45231	V9	BD45232	W1	BD46235	WT	BD46231	XK	BD46232

● Absolute maximum ratings (Ta=25°C)

Parameter	Symbol	Limits	Unit
Power Supply Voltage	VDD-GND	-0.3 ~ +10	V
Output Voltage	Nch Open Drain Output	GND-0.3 ~ +10	V
	CMOS Output		
ER pin Voltage	VCT	GND-0.3 ~ VDD+0.3	V
Power Dissipation	Pd	540	mW
Operating Temperature	Topr	-40 ~ +105	°C
Ambient Storage Temperature	Tstg	-55 ~ +125	°C

*1 Use above Ta=25°C results in a 5.4mW loss per degree.

*2 When mounted on a 70mm×70mm×1.6mm glass epoxy board.

● Electrical characteristics (Unless Otherwise Specified Ta=-40 to 105°C)

Parameter	Symbol	Condition	Limit			Unit	
			Min.	Typ.	Max.		
Detection Voltage	VDET	VDD=H→L, RL=470kΩ *1	VDET(T) ×0.99	VDET(T)	VDET(T) ×1.01	V	
Detection Voltage Temperature coefficient	VDET/ ΔT	-40°C~+105°C	-	±100	±360	ppm/°C	
Hysteresis Voltage	ΔVDET	VDD=L→H→L, RL=470kΩ	VDET(T) ×0.03	VDET(T) ×0.05	VDET(T) ×0.08	V	
'High' Output Delay time	tPLH	CL=100pF, RL=100kΩ *1, *2, *3	BD4XXX5G	45	50	55	ms
			BD4XXX1G	90	100	110	
			BD4XXX2G	180	200	220	
Circuit Current when ON	IDD1	VDD=VDET-0.2V, VER=0V VDET=2.3V~3.1V *1	-	0.70	2.10	μA	
		VDD=VDET-0.2V, VER=0V VDET=2.3V~3.1V	-	0.70	2.85		
		VDD=VDET-0.2V, VER=0V VDET=3.2V~4.2V *1	-	0.75	2.25		
		VDD=VDET-0.2V, VER=0V VDET=3.2V~4.2V	-	0.75	3.00		
		VDD=VDET-0.2V, VER=0V VDET=4.3V~4.8V *1	-	0.80	2.40		
		VDD=VDET-0.2V, VER=0V VDET=4.3V~4.8V	-	0.80	3.15		
Circuit Current when OFF	IDD2	VDD=VDET+0.2V, VER=0V VDET=2.3V~3.1V *1	-	0.75	2.25	μA	
		VDD=VDET+0.2V, VER=0V VDET=2.3V~3.1V	-	0.75	4.28		
		VDD=VDET+0.2V, VER=0V VDET=3.2V~4.2V *1	-	0.80	2.40		
		VDD=VDET+0.2V, VER=0V VDET=3.2V~4.2V	-	0.80	4.50		
		VDD=VDET+0.2V, VER=0V VDET=4.3V~4.8V *1	-	0.85	2.55		
		VDD=VDET+0.2V, VER=0V VDET=4.3V~4.8V	-	0.85	4.73		
Operating Voltage Range	VOPL	VOL≤0.4V, RL=470kΩ, Ta=25~105°C	0.95	-	-	V	
		VOL≤0.4V, RL=470kΩ, Ta=-40~25°C	1.20	-	-		
'High' Output Current	IOH	VDS=0.5V, VDD=6.0V, VDET≥4.3V	1.2	2.7	-	mA	
'Low' Output Current (Nch)	IOL	VDS=0.5V, VDD=1.2V	0.4	1.2	-	mA	
		VDS=0.5V, VDD=2.4V VDET=2.7V~4.8V	2.0	5.0	-		
Leak Current when OFF	Ileak	VDD=VDS=10V *1	-	-	0.1	μA	
ER Pin 'H' Voltage	VEH	*1	2.0	-	-	V	
ER Pin 'L' Voltage	VEL	*1	-	-	0.8	V	
ER Pin Input Current	IEL		-	1	10	μA	

VDET(T): Standard Detection Voltage (2.3V to 4.8V, 0.1V step)

RL : Pull-up resistor to be connected between VOUT and power supply.

CL : Capacitor to be connected between VOUT and GND.

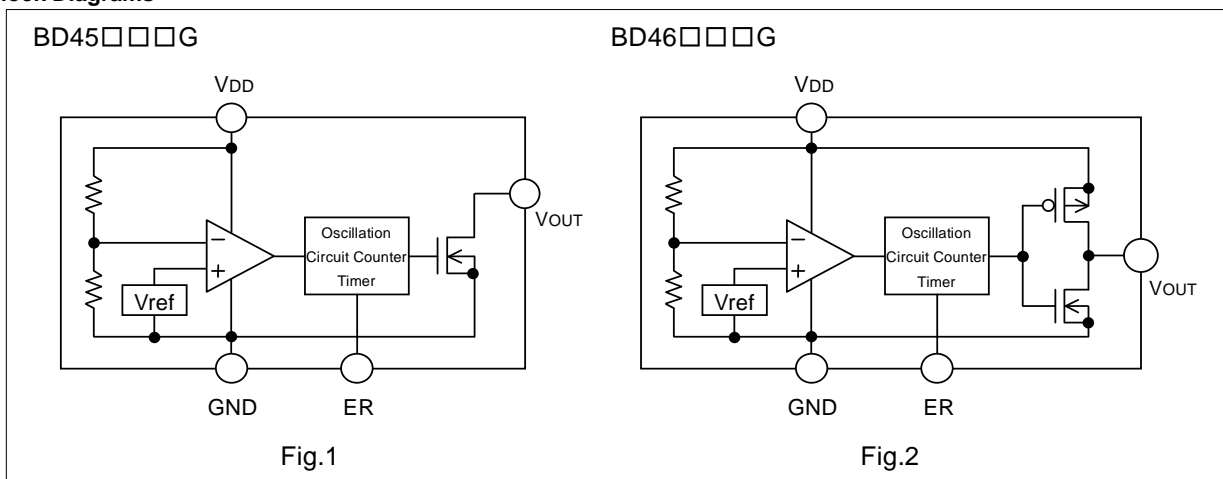
*1 Guarantee is Ta=25°C.

*2 tPLH: VDD=(VDET(T)-0.5V)→(VDET(T)+0.5V)

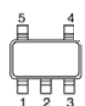
*3 tPLH: VDD=Please set up the rise up time between VDD=0→VDET more than 100μs.

Attention: Please connect the GND when you don't use 'ER'

● Block Diagrams



TOP VIEW



SSOP5

PIN No.	Symbol	Function
1	ER	Manual Reset
2	SUB	Substrate *
3	GND	GND
4	VOUT	Reset Output
5	VDD	Power Supply Voltage

*Connect the substrate to GND.

● Reference Data (Unless specified otherwise, Ta=25°C)

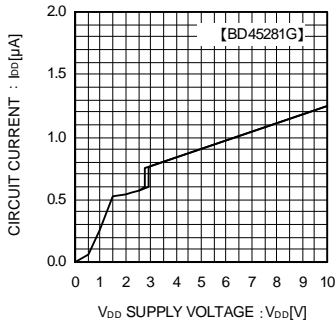


Fig.3 Circuit Current

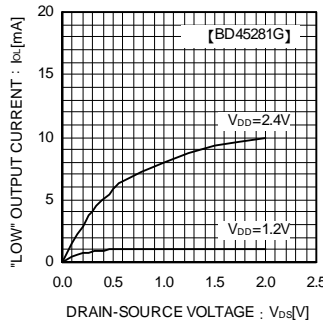


Fig.4 "Low" Output Current

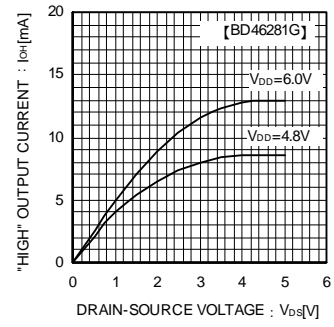


Fig.5 "High" Output Current

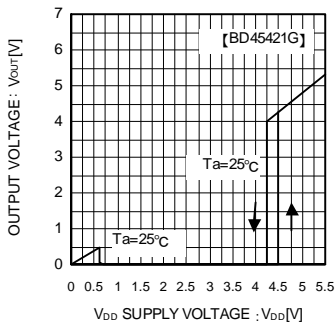


Fig.6 I/O Characteristics

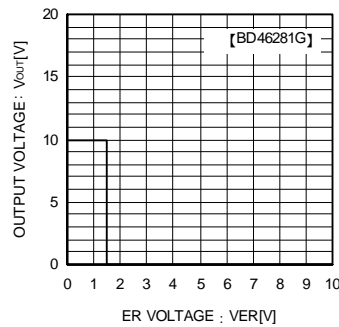


Fig.7 ER Terminal Threshold Voltage

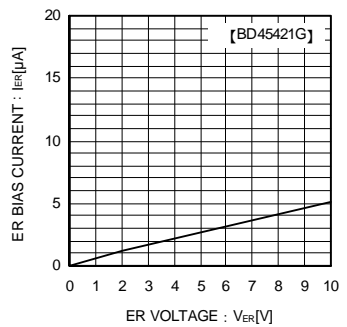


Fig.8 ER Terminal Input Current

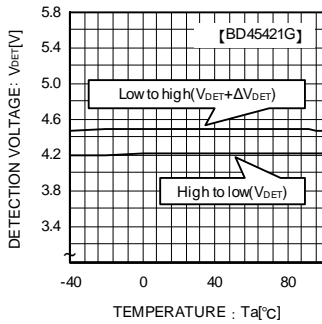


Fig.9 Detection Voltage Release Voltage

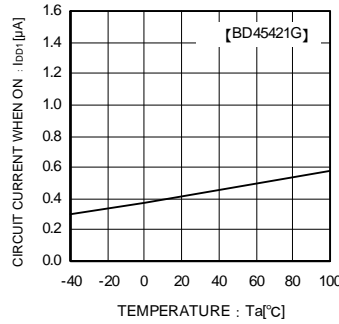


Fig.10 Circuit Current when ON (VDET-0.2V)

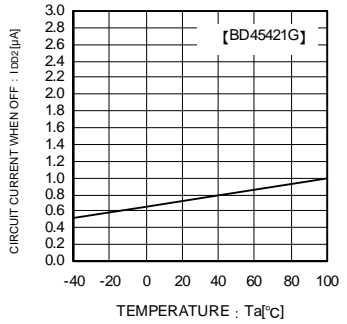


Fig.11 Circuit Current when OFF

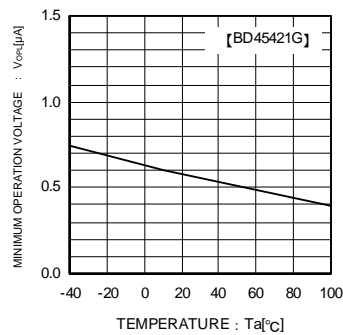


Fig.12 Operating Limit Voltage

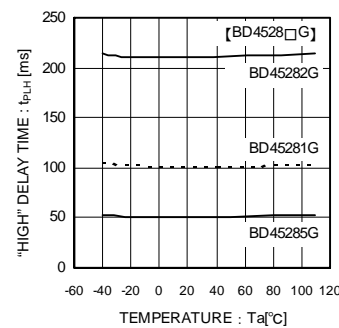


Fig.13 Output Delay Time "Low" → "High"

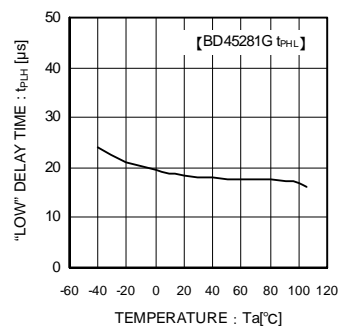


Fig.14 Output Delay Time "High" → "Low"

● Reference Data

Examples of Leading (TPLH) and Falling (TPHL) Output

Part Number	tPLH[ms]	tPHL[μs]
BD45275G	50	18
BD46275G	50	18

VDD=2.2V→3.2V

VDD=3.2V→2.2V

*This data is for reference only.

The figures will vary with the application, so please confirm actual operating conditions before use.

● Explanation of Operation

For both the open drain type (Fig.15) and the CMOS output type (Fig.16), the detection and release voltages are used as threshold voltages. When the voltage applied to the VDD pins reaches the applicable threshold voltage, the VOUT terminal voltage switches from either "High" to "Low" or from "Low" to "High". Because the BD45□□□G series uses an open drain output type, it is possible to connect a pull-up resistor to VDD or another power supply [The output "High" voltage (VOUT) in this case becomes VDD or the voltage of the other power supply].

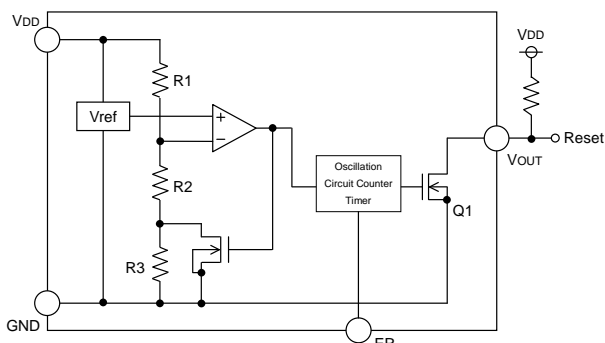


Fig.15 (BD45□□□G Type Internal Block Diagram)

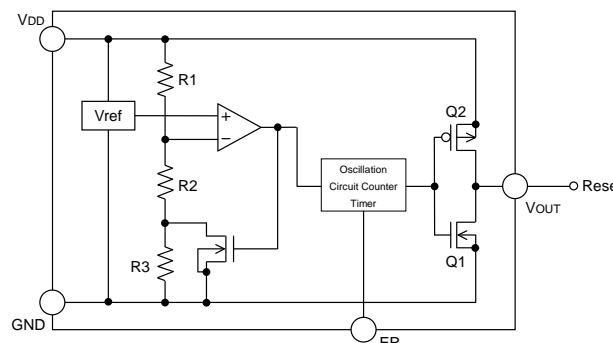


Fig.16 (BD46□□□G Type Internal Block Diagram)

● Timing Waveform

Example: the following shows the relationship between the input voltages VDD, the output voltage VOUT and ER terminal when the input power supply voltage VDD is made to sweep up and sweep down (the circuits are those in Fig. 12 and 13).

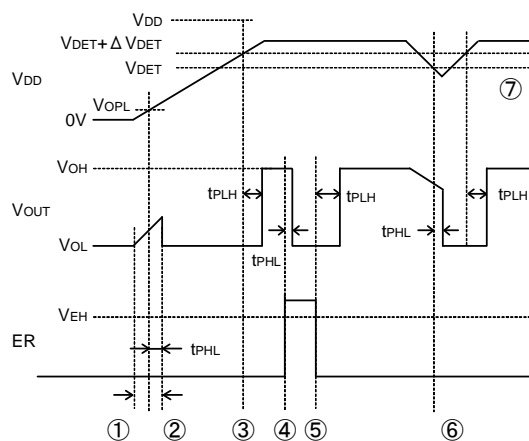


Fig.17

- ① When the power supply is turned on, the output is unsettled from after over the operating limit voltage (VOPL) until TPLH. There fore it is possible that the reset signal is not outputted when the rise time of VDD is faster than TPLH.
- ② When VDD is greater than VOPL but less than the reset release voltage (VDET + ΔVDET), the output voltages will switch to Low.
- ③ If VDD exceeds the reset release voltage (VDET + ΔVDET), the counter timer start and VOUT switches from L to H.
- ④ When more than the high level voltage is supplied ER terminal, VOUT comes to "L" after tPLH delay time. Therefore, a time when ER terminal is "H" is necessary for 100μsec or more.
- ⑤ When the ER terminal switches to Low, the counter timer starts to operate, a delay of tPLH occurs, and VOUT switches from "L" to "H".
- ⑥ If VDD drops below the detection voltage (VDET) when the power supply is powered down or when there is a power supply fluctuation, VOUT switches to L (with a delay of tPHL).
- ⑦ The potential difference between the detection voltage and the release voltage is known as the hysteresis width (ΔVDET). The system is designed such that the output does not flip-flop with power supply fluctuations within this hysteresis width, preventing malfunctions due to noise.
These time changes by the application and use it, please verify and confirm using practical applications.

● Circuit Applications

1) Examples of a common power supply detection reset circuit.

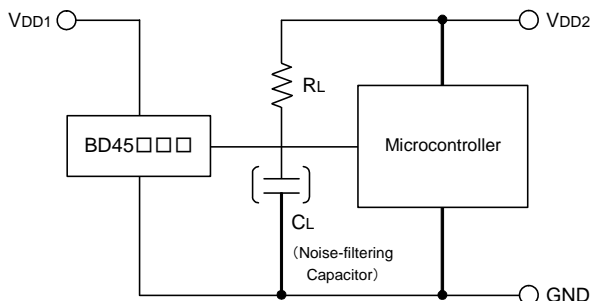


Fig.18 Open Collector Output Type

Application examples of BD45□□□G series (Open Drain output type) and BD46□□□G series (CMOS output type) are shown below.

CASE1: the power supply of the microcontroller (VDD2) differs from the power supply of the reset detection (VDD1).

Use the open drain output type (BD45□□□G) attached a load resistance (RL) between the output and VDD2. (As shown Fig.18)

CASE2: the power supply of the microcontroller (VDD1) is same as the power supply of the reset detection (VDD1).

Use CMOS output type (BD46□□□G) or open drain output type (BD45□□□G) attached a load resistance (RL) between the output and VDD1. (As shown Fig.19)

When a capacitance CL for noise filtering is connected to the VOUT pin (the reset signal input terminal of the microcontroller), please take into account the waveform of the rise and fall of the output voltage (VOUT).

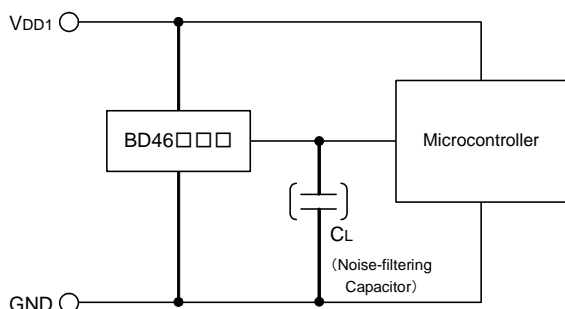


Fig.19 CMOS Output Type

2) The following is an example of a circuit application in which an OR connection between two types of detection voltages resets the microcontroller.

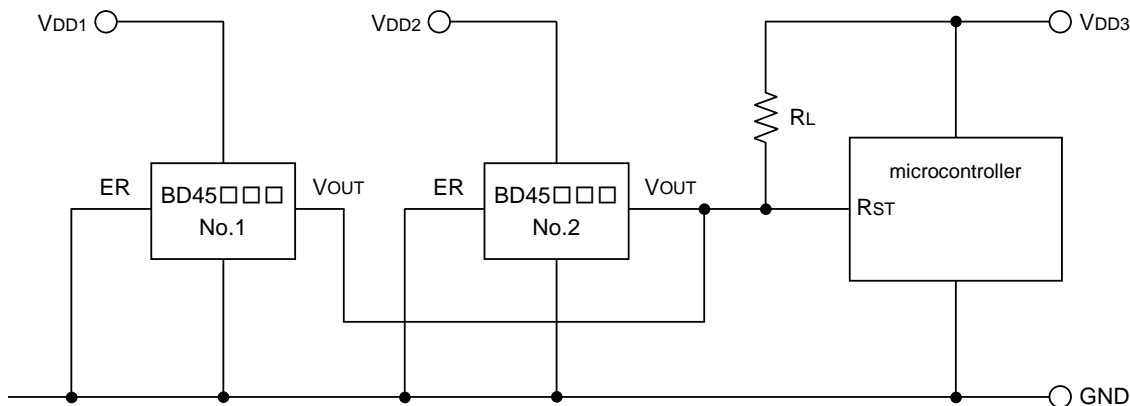


Fig.20

When there are many power supplies of the system, power supplies VDD1 and VDD2 are being monitored separately, and it is necessary to reset the microcomputer, it is possible to use an OR connection on the open drain output type BD45□□□G series to pull-up to the desired voltage (VDD3) as shown in Fig. 20 and make the output “High” voltage matches the power supply voltage VDD3 of the microcontroller.

Examples of the power supply with resistor dividers

In applications where the power supply input terminal (VDD) of an IC with resistor dividers, it is possible that a through current will momentarily flow into the circuit when the output logic switches, resulting in malfunctions (such as output oscillatory state).

(Through-current is a current that momentarily flows from the power supply (VDD) to ground (GND) when the output level switches from “High” to “Low” or vice versa.)

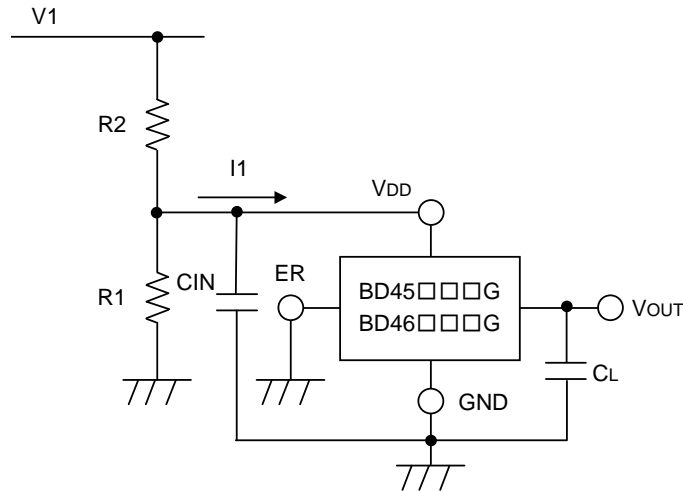


Fig.21

A voltage drop of [the through-current (I1)] × [input resistor (R2)] is caused by the through current, and the input voltage to descends, when the output switches from “Low” to “High”. When the input voltage decreases and falls below the detection voltage, the output voltage switches from “High” to “Low”. At this time, the through-current stops flowing through output “Low”, and the voltage drop is eliminated. As a result, the output switches from “Low” to “High”, which again causes the through current to flow and the voltage drop. This process is repeated, resulting in oscillation.

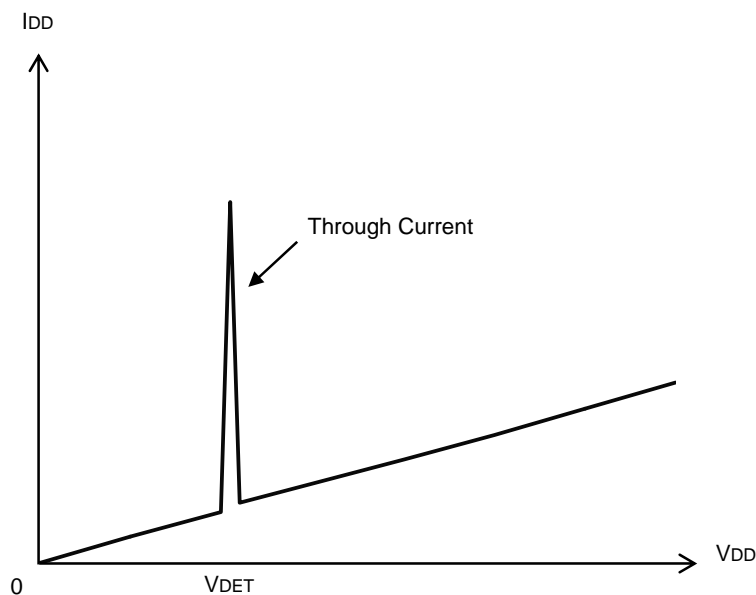


Fig.22 Current Consumption vs. Power Supply Voltage

● Operation Notes**(1) Absolute maximum range**

Absolute Maximum Ratings are those values beyond which the life of a device may be destroyed. We cannot be defined the failure mode, such as short mode or open mode. Therefore a physical security countermeasure, like fuse, is to be given when a specific mode to be beyond absolute maximum ratings is considered.

(2) GND potential

GND terminal should be a lowest voltage potential every state.

Please make sure all pins, which are over ground even if, include transient feature.

(3) Electrical Characteristics

Be sure to check the electrical characteristics that are one the tentative specification will be changed by temperature, supply voltage, and external circuit.

(4) Bypass Capacitor for Noise Rejection

Please put into the capacitor of 1 μ F or more between VDD pin and GND, and the capacitor of about 1000pF between VOUT pin and GND, to reject noise. If extremely big capacitor is used, transient response might be late. Please confirm sufficiently for the point.

(5) Short Circuit between Terminal and Soldering

Don't short-circuit between Output pin and VDD pin, Output pin and GND pin, or VDD pin and GND pin. When soldering the IC on circuit board, please be unusually cautious about the orientation and the position of the IC. When the orientation is mistaken the IC may be destroyed.

(6) Electromagnetic Field

Mal-function may happen when the device is used in the strong electromagnetic field.

(7) The VDD line impedance might cause oscillation because of the detection current.

(8) A VDD -GND capacitor (as close connection as possible) should be used in high VDD line impedance condition.

(9) Lower than the minimum input voltage makes the VOUT high impedance, and it must be VDD in pull up (VDD) condition.

(10) This IC has extremely high impedance terminals. Small leak current due to the uncleanness of PCB surface might cause unexpected operations. Application values in these conditions should be selected carefully. If the leakage of about 1M Ω is assumed between the ER terminal and the GND terminal, 100k Ω connection between the ER terminal and the VDD terminal would be recommended. If the leakage is assumed between the VOUT terminal and the GND terminal, the pull-up resistor should be less than 1/10 of the assumed leak resistance.

(11) External parameters

The recommended parameter range for RL is 50k Ω ~1M Ω . There are many factors (board layout, etc) that can affect characteristics. Please verify and confirm using practical applications.

(12) Power on reset operation

Please note that the power on reset output varies with the VDD rise up time. Please verify the actual operation.

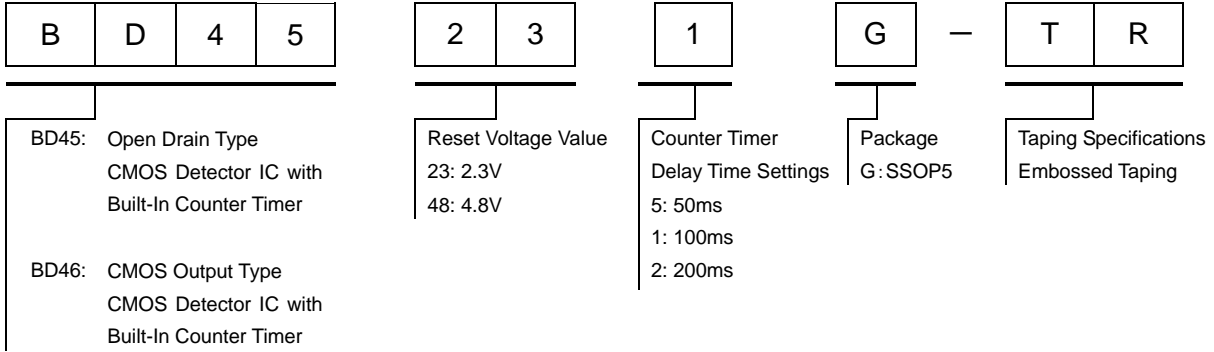
(13) Precautions for board inspection

Connecting low-impedance capacitors to run inspections with the board may produce stress on the IC. Therefore, be certain to use proper discharge procedure before each process of the test operation.

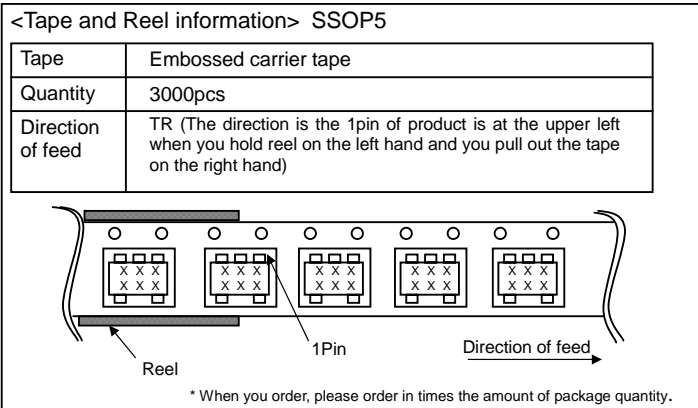
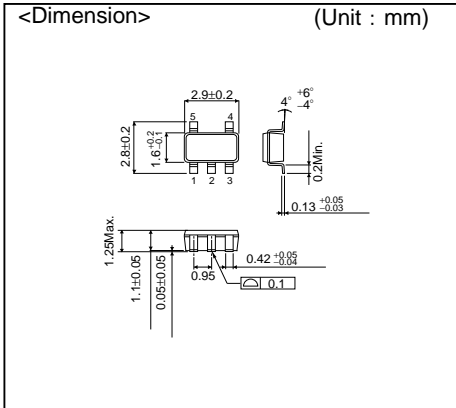
To prevent electrostatic accumulation and discharge in the assembly process, thoroughly ground yourself and any equipment that could sustain ESD damage, and continue observing ESD-prevention procedures in all handling, transfer and storage operations. Before attempting to connect components to the test setup, make certain that the power supply is OFF. Likewise, be sure the power supply is OFF before removing any component connected to the test setup.

(14) When the power supply, is turned on because of in certain cases, momentary Rash-current flow into the IC at the logic unsettled, the couple capacitance, GND pattern of width and leading line must be considered.

● Part Number Selection



SSOP5



Notes

No copying or reproduction of this document, in part or in whole, is permitted without the consent of ROHM Co.,Ltd.

The content specified herein is subject to change for improvement without notice.

The content specified herein is for the purpose of introducing ROHM's products (hereinafter "Products"). If you wish to use any such Product, please be sure to refer to the specifications, which can be obtained from ROHM upon request.

Examples of application circuits, circuit constants and any other information contained herein illustrate the standard usage and operations of the Products. The peripheral conditions must be taken into account when designing circuits for mass production.

Great care was taken in ensuring the accuracy of the information specified in this document. However, should you incur any damage arising from any inaccuracy or misprint of such information, ROHM shall bear no responsibility for such damage.

The technical information specified herein is intended only to show the typical functions of and examples of application circuits for the Products. ROHM does not grant you, explicitly or implicitly, any license to use or exercise intellectual property or other rights held by ROHM and other parties. ROHM shall bear no responsibility whatsoever for any dispute arising from the use of such technical information.

The Products specified in this document are intended to be used with general-use electronic equipment or devices (such as audio visual equipment, office-automation equipment, communication devices, electronic appliances and amusement devices).

The Products specified in this document are not designed to be radiation tolerant.

While ROHM always makes efforts to enhance the quality and reliability of its Products, a Product may fail or malfunction for a variety of reasons.

Please be sure to implement in your equipment using the Products safety measures to guard against the possibility of physical injury, fire or any other damage caused in the event of the failure of any Product, such as derating, redundancy, fire control and fail-safe designs. ROHM shall bear no responsibility whatsoever for your use of any Product outside of the prescribed scope or not in accordance with the instruction manual.

The Products are not designed or manufactured to be used with any equipment, device or system which requires an extremely high level of reliability the failure or malfunction of which may result in a direct threat to human life or create a risk of human injury (such as a medical instrument, transportation equipment, aerospace machinery, nuclear-reactor controller, fuel-controller or other safety device). ROHM shall bear no responsibility in any way for use of any of the Products for the above special purposes. If a Product is intended to be used for any such special purpose, please contact a ROHM sales representative before purchasing.

If you intend to export or ship overseas any Product or technology specified herein that may be controlled under the Foreign Exchange and the Foreign Trade Law, you will be required to obtain a license or permit under the Law.



Thank you for your accessing to ROHM product informations.
More detail product informations and catalogs are available, please contact us.

ROHM Customer Support System

<http://www.rohm.com/contact/>