



**CRYSTEK**  
**CRYSTALS**  
A DIVISION OF CRYSTEK CORPORATION

**C32xx 5x7mm SMD  
HCMOS Clock Oscillator  
5.0 Volts**



**Model C32xx is a 1.544MHz to 106.250MHz HCMOS Clock Oscillator operating at 5.0Volts. The oscillator utilizes Fundamental or High Q Third Overtone crystal design providing very low Jitter and Phase Noise. No Sub-Harmonics are present in the Output Signal.**



5x7mm SMD

### **Applications:**

**Digital Video  
SONET/SDH/DWDM  
Storage Area Networks  
Broadband Access  
Ethernet, Gigabit Ethernet**



12730 COMMONWEALTH DRIVE • FORT MYERS, FL 33913  
PHONE: 239-561-3311 • 800-237-3061  
FAX: 239-561-1025 • WWW.CRYSTEK.COM

Rev.: F  
Date: 03-06-08



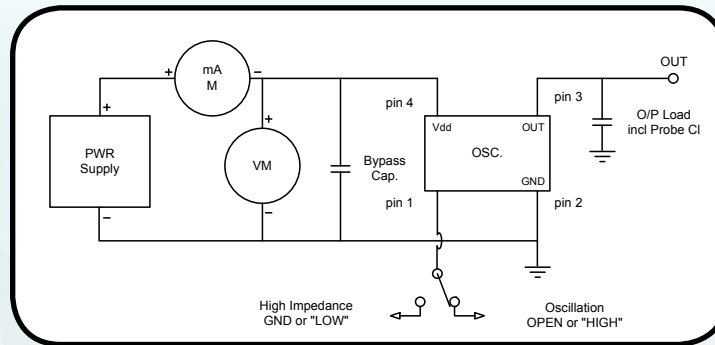


# CRYSTEK

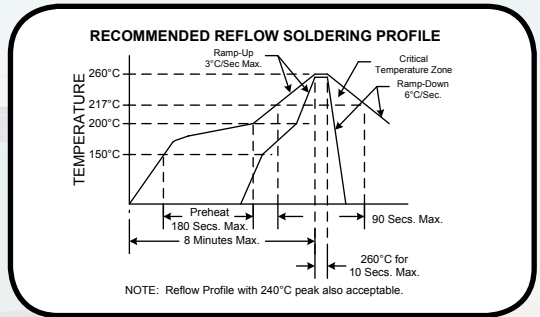
## CRYSTALS

A DIVISION OF CRYSTEK CORPORATION

### C32xx 5x7mm SMD HCMOS Clock Oscillator 5.0 Volts



- Mechanical:**
- Shock:** MIL-STD-883, Method 2002, Condition B
  - Solderability:** MIL-STD-883, Method 2003
  - Vibration:** MIL-STD-883, Method 2007, Condition A
  - Solvent Resistance:** MIL-STD-202, Method 215
  - Resistance to Soldering Heat:** MIL-STD-202, Method 210, Condition I or J
- Environmental:**
- Thermal Shock:** MIL-STD-883, Method 1011, Condition A
  - Moisture Resistance:** MIL-STD-883, Method 1004



Tri-State Function	
Pin #1 State	Output State
Open or N/C	Active
"1" level 0.7*Vcc Min	Active
"0" level 0.3*Vcc Max	High Z

**SUGGESTED PAD LAYOUT**