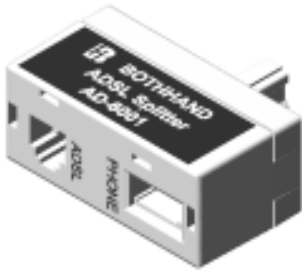




P/N: AD-6001 DATA SHEET

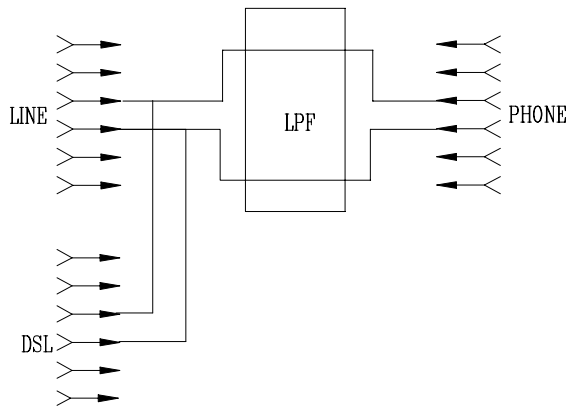
Feature



- Compatible package, includes connectors for ease of Installation.
- Design for G.dmt Application, China Specification.
- 100mA DC Loop Current Capacity.
- Operating temperature range: 0°C to +60°C.
- Storage temperature range: -25°C to +75°C.

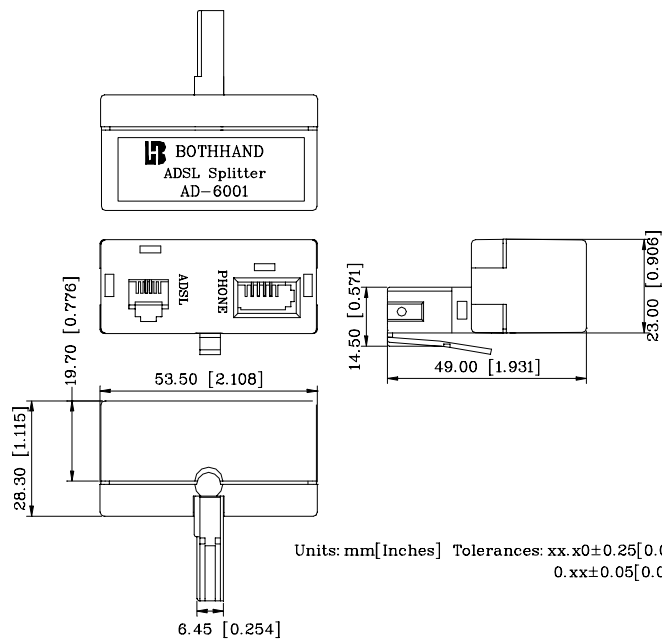
Specifications for Low pass POTS Filter for ADSL				
POTS Ports Impedance		600ohm	DC Resistance each line	7.5ohm Max
Insertion Loss	@ 1004Hz	-1dB Max	Return Loss	@ 200Hz-500Hz -14 dB Min
Insertion Loss Distortion (dB)			@ 500Hz-2KHz	-18 dB Min
	@ 200Hz-4KHz	+/-1dB	@ 2KHz-3.4KHz	-14 dB Min
Attenuation	@ 25-50KHz	-15 dB Min	POTS trip and ring DC Voltage	0-105V
	@ 25K-1MHz	-25 dB Min	Longitudinal Balance	@ 0.2-3KHz -53 dB Min

Schematic



Dimension

Connector	Function	Style	Tip	Ring
J1	Line	BT-M	Pin3	Pin4
J2	Phone	BT-F	Pin3	Pin4
J3	DSL	RJ11	Pin3	Pin4



Units: mm [Inches] Tolerances: xx.x0±0.25 [0.010]
0.xx±0.05 [0.002]