



C-Series Pneumatic Cylinders

2-1/2 inch Bore

Double-acting



NITRA pneumatic cylinder, stainless steel body, 2-1/2 inch bore, 1/4 inch NPT ports, double-acting, single end rod, counter-bored mounting holes, interchangeable with other brands. 2-year warranty.

Part no. C40005D

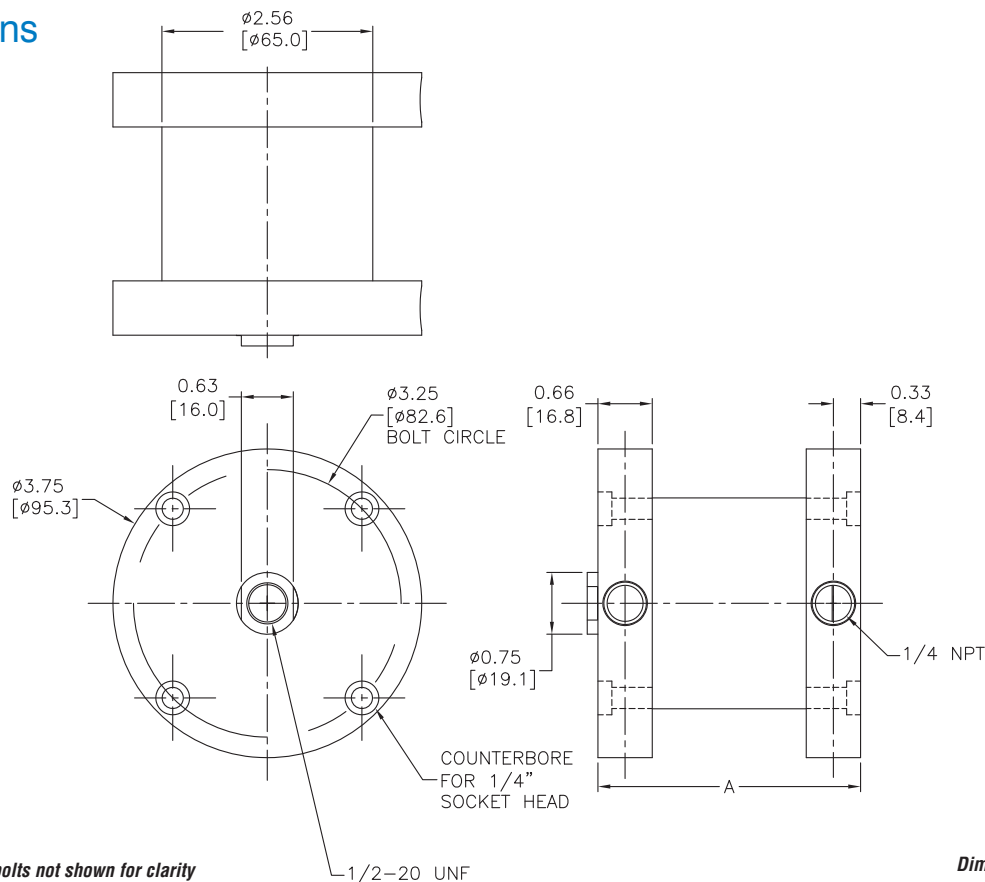
Cylinder, 2-1/2 in. bore, double-acting				
Part Number	Stroke Length (in.)	"A" (in.)	Weight (lb.)	Price
C40005D	0.50	1.69	1.55	<--->
C40010D	1.00	2.19	1.70	<--->
C40020D	2.00	3.19	2.00	<--->
C40025D	2.50	3.69	2.15	<--->
Specifications				
304 SS cylinder body		4.91 sq. in. piston area		
High strength aluminum end caps		Pre-lubricated for maintenance-free life		
303 SS piston rod		Pressure rating 150 psi		
Buna-N o-ring seals		Temperature range -20°F to 150°F (-28° to 66°C)		
Extend force at 100 psi = 490.1 lb.		Retract force at 100 psi = 446.7 lb.		

Accessories

Part No.	Description	Price
CCB-40	Clevis bracket, anodized aluminum, stainless steel pin, for use with 1-1/2, 2 and 2-1/2 inch bore NITRA C-series compact cylinders	<--->
CRP-40	Rod eye, 1/2-20 UNF threads, zinc plated, high strength, heat treated alloy steel, bronze pivot bushing and nut for use with 2 or 2-1/2 inch bore NITRA C-series compact cylinders	<--->

See end of C-Series cylinder section for additional accessory details.

Dimensions



Cylinder assembly bolts not shown for clarity

Dimensions inches [mm]

"C" Series compact pneumatic air cylinders

This series of compact stainless steel round body cylinders includes bore sizes from 9/16" to 3" and stroke lengths from 1/4" to 4" that meet applications where space is a concern.

- **Double-acting cylinders**
- **Interchangeable with other brands**

C-Series features

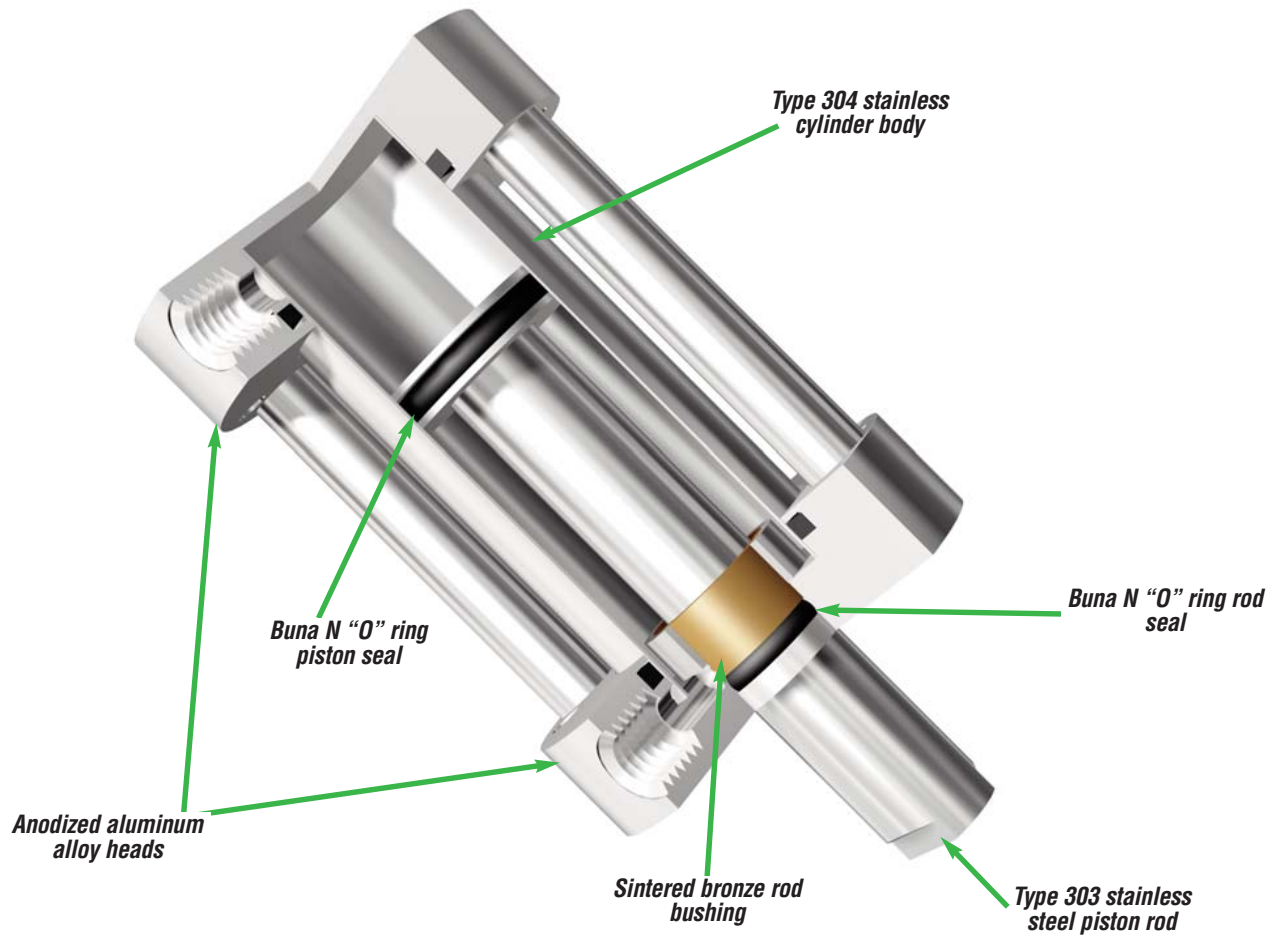
- Interchangeable with other common brands of compact round body cylinders
- Available bore sizes: 9/16" to 3"
- Excellent selection of stroke lengths
- Double-acting cylinder models
- Type 304 stainless steel cylinder body with high-strength aluminum alloy end caps
- All cylinders are available for same-day shipment
- 2-year warranty
- **Made in the USA**



**In stock,
ready to ship!
Order today -
install tomorrow!**



Cylinder Features



Cylinder Mounting Examples

