

Quad Chokes

Rated voltage 42 Vac/80 Vdc
Rated current 0,2 to 0,3 A
Rated inductance 4,7 to 10 mH

Construction

- Current-compensated ring core quad choke with ferrite core
- Plastic case

Features

- Case flame-retardant as per UL 94 V-0
- Suitable for automatic insertion

Applications

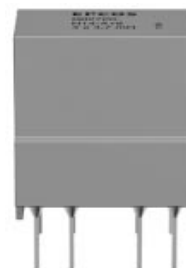
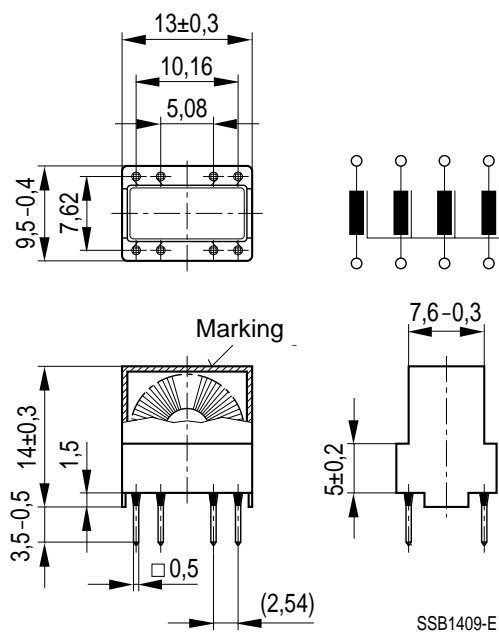
- Telecom switching systems
- Terminal systems
- Measuring and control lines

Terminals

- Pins fitting standard PCB grid

Marking

Ordering code, rated inductance, manufacturer, date of manufacture (month, year)

Dimensional drawing


Quad Chokes
General technical data

Rated voltage V_R	42 Vac (50/60 Hz) 80 Vdc
Rated current I_R	Referred to 50 Hz and 60 °C ambient temperature
Rated inductance L_R	Measured with HP 4275A at 10 kHz and 0,1 mA (specified per winding)
Inductance tolerance	- 30 %/+ 50 %
Inductance decrease $\Delta L/L_0$	< 10 % at dc magnetic bias with I_R
Stray inductance L_S	Measured at 10 kHz and 5 mA
DC resistance R_{typ}	Typical values, measured at 20 °C ambient temperature
Climatic category	40/125/56 (- 40 °C/+ 125 °C/56 days damp heat test) in accordance with IEC 60068-1
Weight	Approx. 2 g

Characteristics and ordering codes

L_R mH	$L_{S, typ}$ μ H	I_R mA	R_{typ} Ω	V_T Vdc, 2 s	Ordering code
4,7	0,9	300	0,9	750	B82720-H14-A16
10	1,1	200	1,3	750	B82720-H14-A25

**Impedance $|Z|$
versus frequency f**
