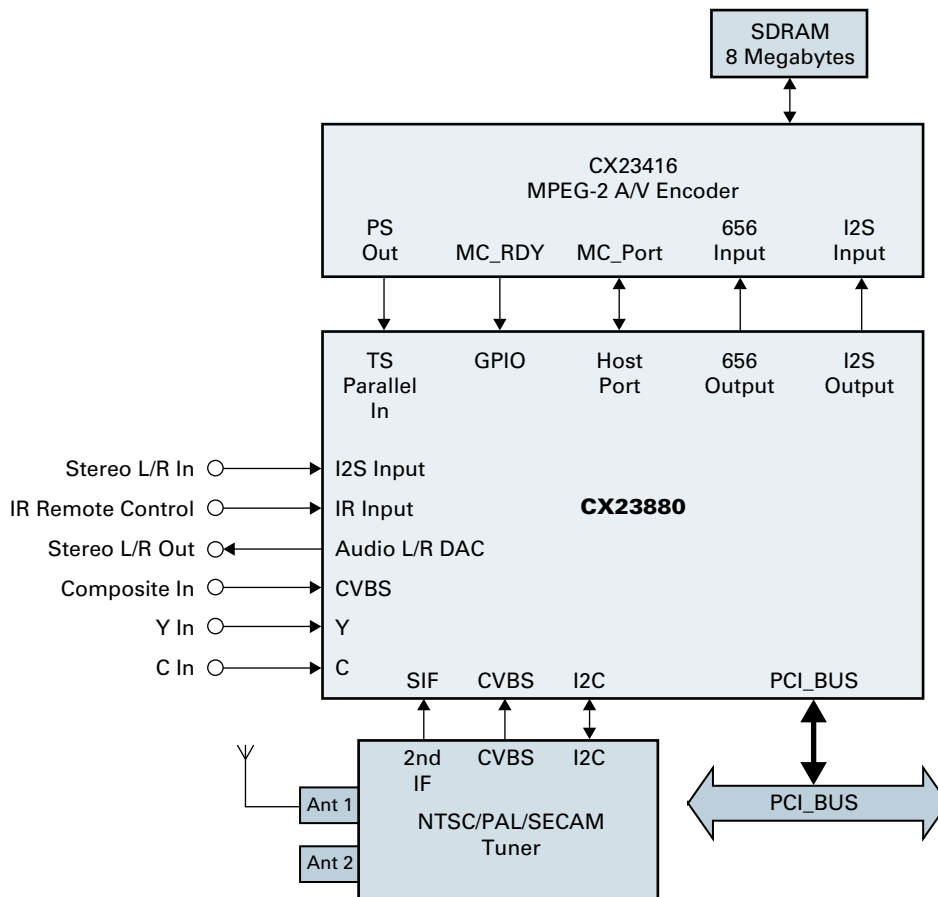




The following components on the reference design are used to provide this capability:

- CX23880 PCI A/V Decoder
- NTSC, PAL, or SECAM Tuner
- CX23416 Audio/Video MPEG-2 A/V Compressor
- Remote control
- EEPROM
- 64 m-bit SDRAM



Hardware Encoder PCI Design Block Diagram

© 2003, Conexant Systems, Inc. All Rights Reserved. Conexant and the Conexant logo are registered trademarks of Conexant Systems, Inc. All other trademarks are owned by their respective owners. Although Conexant strives for accuracy in all its publications, this material may contain errors or omissions and is subject to change without notice. **THIS MATERIAL IS PROVIDED AS IS AND WITHOUT ANY EXPRESS OR IMPLIED WARRANTIES, INCLUDING MERCHANTABILITY, FITNESS FOR A PARTICULAR PURPOSE AND NON-INFRINGEMENT.** Conexant shall not be liable for any special, indirect, incidental or consequential damages as a result of its use.

www.conexant.com
General Information:
U.S. and Canada: (800) 854-8099
International: (949) 483-6996
Headquarters - Newport Beach
4000 MacArthur Blvd, P.O. Box C
Newport Beach, CA 92660-3095

Order# 102206A

