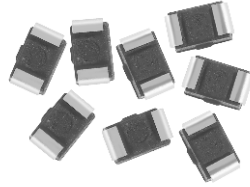


High Frequency, Surface Mount, Molded Inductors



FEATURES

- High self-resonant frequency values
- High Q values at higher frequencies
- Molded construction provides superior strength and moisture resistance
- Wirewound construction
- Tape and reel packaging for automatic handling, 3000/reel, EIA481
- Compatible with vapor phase and infrared reflow soldering
- 100 % lead (Pb)-free and RoHS compliant



STANDARD ELECTRICAL SPECIFICATIONS									
IND. (nH)	TOL.	TEST FREQ. L & Q (MHz)	Q MIN.	Q TYPICAL			SELF-RESONANT FREQ. MIN. (MHz)	DCR ± 30% (Ohms)	RATED* DC CURRENT (mA)
				100 MHz	800 MHz	1.8 GHz			
10	± 10 %	100	10	22	65	110	3300	0.14	540
12	± 10 %	100	10	22	65	105	3300	0.18	535
15	± 10 %	100	12	23	70	100	3000	0.18	520
18	± 10 %	100	12	25	75	95	3000	0.22	480
22	± 10 %	100	15	25	75	80	2600	0.22	465
27	± 10 %	100	15	25	75	-	2500	0.26	455
33	± 5 %, ± 10 %	100	15	28	80	-	2050	0.30	395
39	± 5 %, ± 10 %	100	15	28	70	-	2000	0.31	390
47	± 5 %, ± 10 %	100	15	28	70	-	1650	0.35	385
56	± 5 %, ± 10 %	100	15	28	60	-	1550	0.39	360
68	± 5 %, ± 10 %	100	15	28	-	-	1450	0.44	340
82	± 5 %, ± 10 %	100	15	28	-	-	1100	0.48	330
100	± 5 %, ± 10 %	25.2	8	25	-	-	800	0.66	285
120	± 5 %, ± 10 %	25.2	8	24	-	-	600	0.76	275
150	± 5 %, ± 10 %	25.2	10	25	-	-	600	1.13	230
180	± 5 %, ± 10 %	25.2	10	25	-	-	600	1.24	195
220	± 5 %, ± 10 %	25.2	10	25	-	-	500	1.41	170
270	± 5 %, ± 10 %	25.2	10	25	-	-	300	1.50	165
330	± 5 %, ± 10 %	25.2	10	20	-	-	200	1.66	160
390	± 5 %, ± 10 %	25.2	10	20	-	-	150	1.82	150
470	± 5 %, ± 10 %	25.2	10	18	-	-	150	1.97	145
560	± 5 %, ± 10 %	25.2	10	15	-	-	100	2.07	140
680	± 5 %, ± 10 %	25.2	10	-	-	-	100	2.32	130
820	± 5 %, ± 10 %	25.2	10	-	-	-	80	2.60	125
1000	± 5 %, ± 10 %	7.96	8	-	-	-	80	2.98	120

NOTE: Tighter tolerance product may be substituted based on availability.

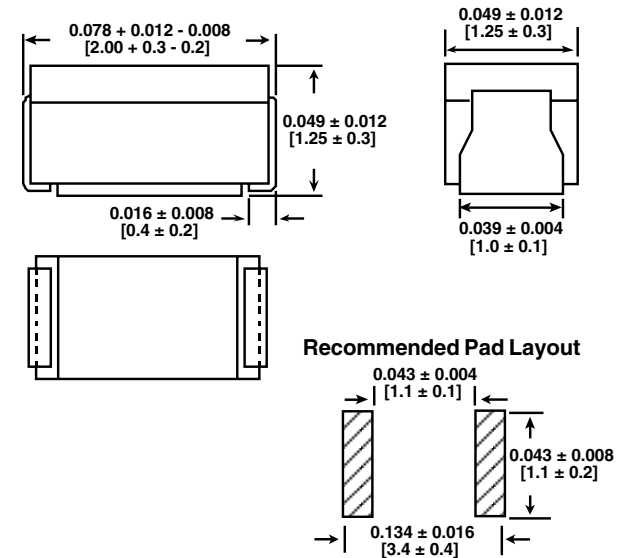
ELECTRICAL SPECIFICATIONS

Inductance Range: 10 nH to 1000 nH
Inductance Tolerance: ± 20 % for 3.9 nH to 8.2 nH
 ± 10 % for 6.8 nH to 1000 nH
 ± 5 % for 33 nH to 1000 nH
Temperature Range: - 40 °C to + 105 °C (no load), - 40 °C to + 85 °C (at full rated current)
Core Material: Non-magnetic

TEST EQUIPMENT

- Inductance and Q measured on HP4191A
- SRF measured on HP8753B

DIMENSIONS in inches [millimeters]



DESCRIPTION				
IMC-0805 MODEL	10 nH INDUCTANCE VALUE	± 5 % INDUCTANCE TOLERANCE	ER PACKAGE CODE	e3 JEDEC LEAD (Pb)-FREE STANDARD
GLOBAL PART NUMBER				
I M C	0 8 0 5	E R	I O N	J
MODEL	SIZE	PACKAGE CODE	INDUCTANCE VALUE	TOL.



Notice

Specifications of the products displayed herein are subject to change without notice. Vishay Intertechnology, Inc., or anyone on its behalf, assumes no responsibility or liability for any errors or inaccuracies.

Information contained herein is intended to provide a product description only. No license, express or implied, by estoppel or otherwise, to any intellectual property rights is granted by this document. Except as provided in Vishay's terms and conditions of sale for such products, Vishay assumes no liability whatsoever, and disclaims any express or implied warranty, relating to sale and/or use of Vishay products including liability or warranties relating to fitness for a particular purpose, merchantability, or infringement of any patent, copyright, or other intellectual property right.

The products shown herein are not designed for use in medical, life-saving, or life-sustaining applications. Customers using or selling these products for use in such applications do so at their own risk and agree to fully indemnify Vishay for any damages resulting from such improper use or sale.