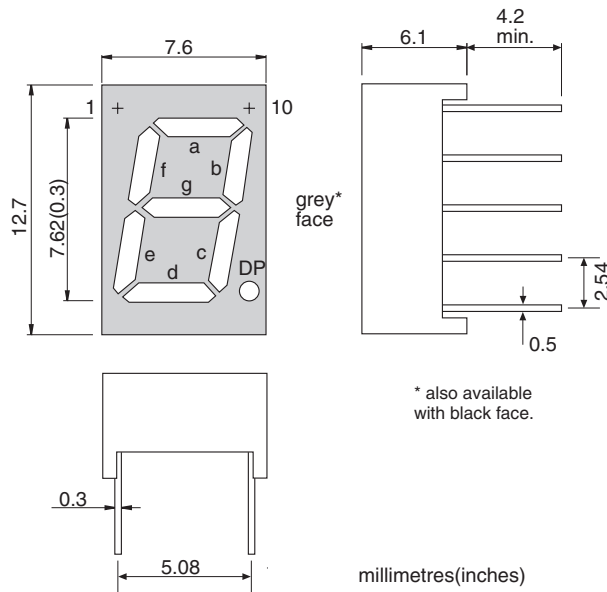
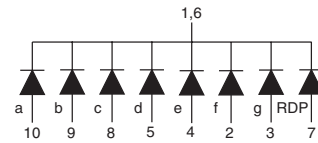


TOS3104 series

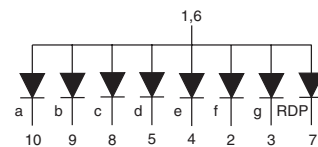


Schematic Options

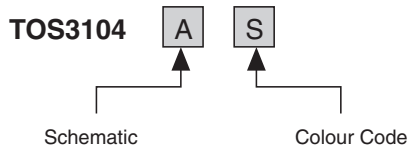
A Common Cathode R/H Decimal point



B Common Anode R/H Decimal point



Part Number Key



Specification

Colour	Red	Red	Red	Green	Yellow	
Colour Code	R	E [†]	S	G	Y	
Brightness Category	Bright	Extra Bright	Super Bright	Extra Bright	Extra Bright	
Typical Luminous Intensity, I _F =10mA	700	3500	17500	4000	3500	μcd
Peak Wavelength, I _F =20mA	697	630	660	565	585	nm
Typical Forward Voltage, I _F =20mA	2.1	2.1	2.1	2.2	2.1	Volts
Maximum Forward Voltage, I _F =20mA	2.8	2.8	2.8	2.8	2.8	Volts
Maximum Reverse Current, V _R =5V	100	100	100	100	100	μA

[†] Red - Extra Bright (E) also available in low current