



## Specifications For Single Reflective LED : Model TOLATG004

### 1. SPECIFICATIONS

#### 1- 1. Absolute Maximum Ratings (Ta=25°C)

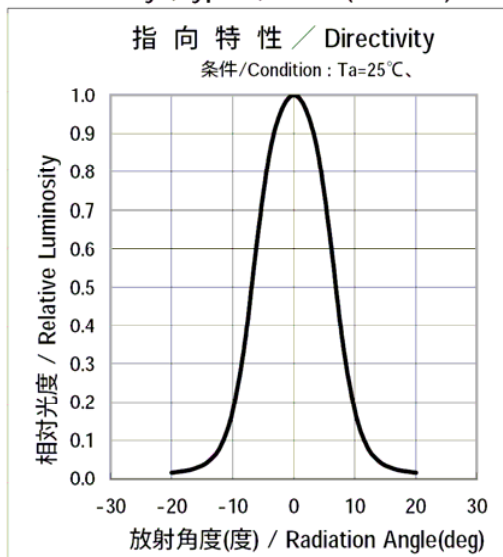
Item	Symbol	Absolute Maximum Rating	Unit
Forward Current	I <sub>F</sub>	30	mA
Reverse Voltage	V <sub>R</sub>	5	V
Power Dissipation	P <sub>D</sub>	105	mW
Operating Temperature	T <sub>opr</sub>	-30~+85	°C
Storage Temperature	T <sub>stg</sub>	-30~+90	°C

I<sub>FP</sub> Conditions ; Pulse Width ≤ 100 μsec. , Duty ≤ 1/100

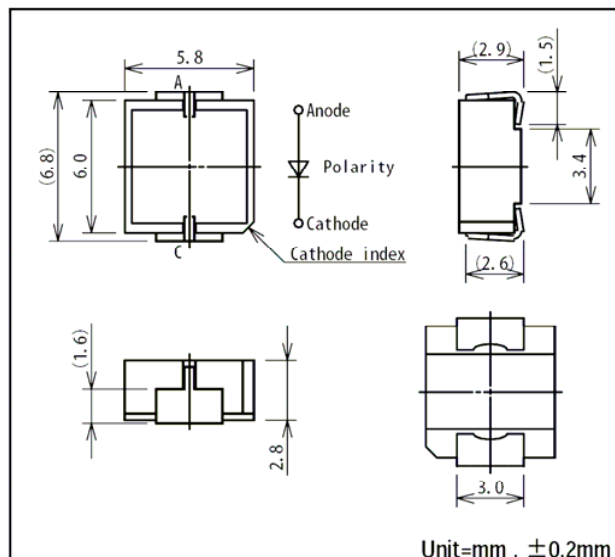
#### 1- 2 Electrical / Optical Characteristics (Ta=25°C)

Item	Symbol	Condition	Min.	Typ.	Max.	Unit
Forward Voltage	V <sub>F</sub>	I <sub>F</sub> =20mA	-	3.0	3.5	V
Reverse Current	I <sub>R</sub>	V <sub>R</sub> =5V	-	-	10	μA
Dominant Wavelength	λ <sub>d</sub>	I <sub>F</sub> =20mA	515	528	540	nm
Spectrum Half Width	Δλ	I <sub>F</sub> =20mA	-	35	-	nm
Luminous Intensity	I <sub>v</sub>	I <sub>F</sub> =20mA	-	50	-	cd
Viewing Angle	1/2 θ	I <sub>F</sub> =20mA	-	±8	-	°

### 2. Directivity (Typical) (Ta=25°C)



### 3. Outline Dimensions





## 4. Characteristics (Typical)

