

General Description

The MIC2950 and MIC2951 are “bulletproof” micropower voltage regulators with very low dropout voltage (typically 40mV at light loads and 250mV at 100mA), and very low quiescent current. Like their predecessors, the LP2950 and LP2951, the quiescent current of the MIC2950/MIC2951 increases only slightly in dropout, thus prolonging battery life. The MIC2950/MIC2951 are pin for pin compatible with the LP2950/LP2951, but offer lower dropout, lower quiescent current, reverse battery, and automotive load dump protection.

The key additional features and protection offered include higher output current (150mA), positive transient protection for up to 60V (load dump), and the ability to survive an unregulated input voltage transient of -20V below ground (reverse battery).

The plastic DIP and SOIC versions offer additional system functions such as programmable output voltage and logic controlled shutdown. The 3-pin TO-92 MIC2950 is pin-compatible with the older 5V regulators.

These system functions also include an error flag output that warns of a low output voltage, which is often due to failing batteries on the input. This may also be used as a power-on reset. A logic-compatible shutdown input is also available which enables the regulator to be switched on and off. This part may also be pin-strapped for a 5 V output, or programmed from 1.24 V to 29 V with the use of two external resistors.

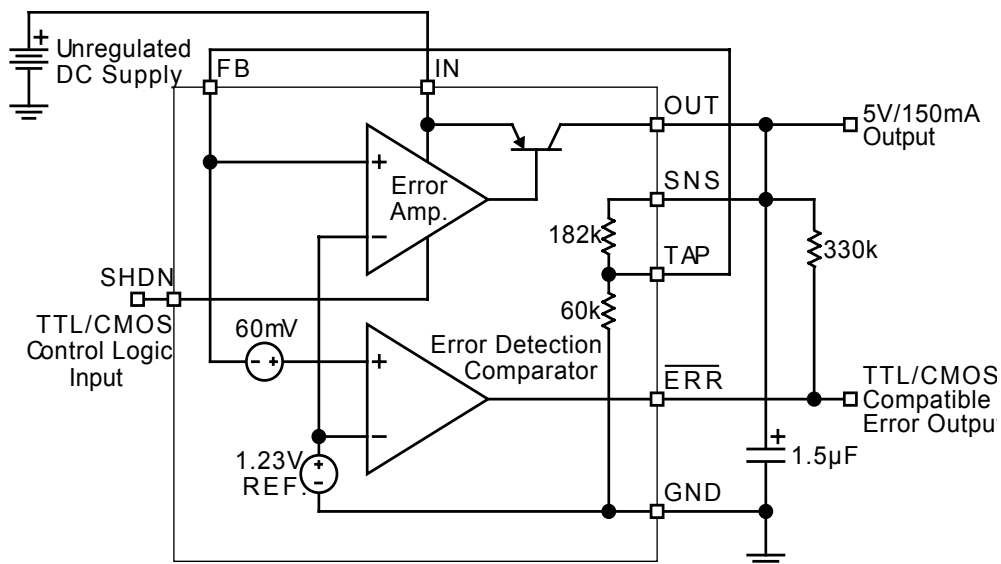
Features

- High accuracy 3.3, 4.85, or 5V, guaranteed 150mA output
- Extremely low quiescent current
- Low-dropout voltage
- Extremely tight load and line regulation
- Very low temperature coefficient
- Use as regulator or reference
- Needs only 1.5µF for stability
- Current and thermal limiting
- Unregulated DC input can withstand -20V reverse battery and +60V positive transients
- Error flag warns of output dropout (MIC2951)
- Logic-controlled electronic shutdown (MIC2951)
- Output programmable from 1.24V to 29V (MIC2951)

Applications

- Automotive Electronics
- Battery Powered Equipment
- Cellular Telephones
- SMPS Post-Regulator
- Voltage Reference
- Avionics
- High Efficiency Linear Power Supplies

Block Diagram



The MIC2950 is available as either an -05 or -06 version. The -05 and -06 versions are guaranteed for junction temperatures from -40°C to $+125^{\circ}\text{C}$; the -05 version has a tighter output and reference voltage specification range over temperature. The MIC2951 is available as an -02 or -03 version.

The MIC2950 and MIC2951 have a tight initial tolerance (0.5% typical), a very low output voltage temperature coefficient which allows use as a low-power voltage reference, and extremely good load and line regulation (0.04% typical). This greatly reduces the error in the overall circuit, and is the result of careful design techniques and process control.

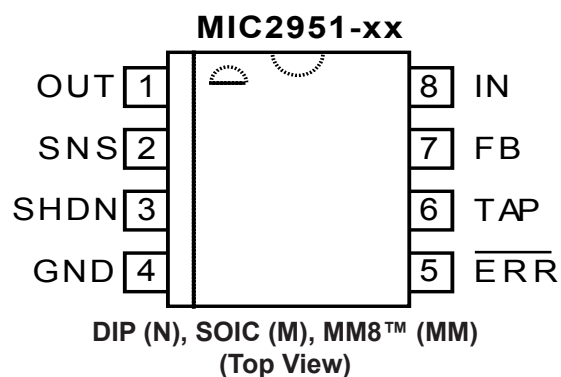
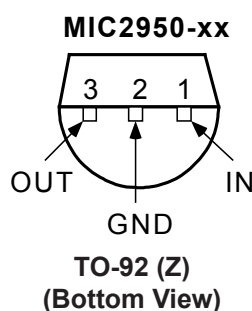
Ordering Information

Part Number		Voltage	Accuracy	Temp Range*	Package
Standard	Pb-Free**				
MIC2950-05BZ	MIC2950-05YZ	5.0V	0.5%	-40°C to $+125^{\circ}\text{C}$	TO-92
MIC2950-06BZ	MIC2950-06YZ	5.0V	1.0%	-40°C to $+125^{\circ}\text{C}$	TO-92
MIC2951-02BM	MIC2951-02YM	5.0V	0.5%	-40°C to $+125^{\circ}\text{C}$	8-pin SOIC
MIC2951-03BM	MIC2951-03YM	5.0V	1.0%	-40°C to $+125^{\circ}\text{C}$	8-pin SOIC
MIC2951-02BN	Contact Factory	5.0V	0.5%	-40°C to $+125^{\circ}\text{C}$	8-pin Plastic DIP
MIC2951-03BN	MIC2951-03YN	5.0V	1.0%	-40°C to $+125^{\circ}\text{C}$	8-pin Plastic DIP
MIC2951-03BMM	MIC2951-03YMM	5.0V	1.0%	-40°C to $+125^{\circ}\text{C}$	8-lead MSOP
MIC2951-3.3BM	MIC2951-3.3YM	3.3V	1.0%	-40°C to $+125^{\circ}\text{C}$	8-pin SOIC

*Junction temperature

**Pb-Free RoHS compliant with "hot-melting solder" exemption

Pin Configuration



Pin Description

Pin # MIC2950	Pin # MIC2951	Pin Name	Pin Function
3	1	OUT	Regulated Output
	2	SNS	Sense (Input): Output-voltage sensing end of internal voltage divider for fixed 5V operation. Not used in adjustable configuration.
	3	SHDN	Shutdown/Enable (Input): TTL compatible input. High = shutdown, low or open = enable.
2	4	GND	Ground
	5	$\overline{\text{ERR}}$	Error Flag (Output): Active low, open-collector output (low = error, floating = normal).
	6	TAP	3.3V/4.85V/5V Tap: Output of internal voltage divider when the regulator is configured for fixed operation. Not used in adjustable configuration.
	7	FB	Feedback (Input): 1.235V feedback from internal voltage divider's TAP (for fixed operation) or external resistor network (adjustable configuration).
1	8	IN	Unregulated Supply Input

Absolute Maximum Ratings (Note 1)

Input Supply Voltage (V_{IN}) **Note 5** -20V to +60V
 Feedback Input Voltage (V_{FB}) **Note 6, 7** -1.5V to +26V
 Shutdown Input Voltage (V_{SHDN}) **Note 6** -0.3V to +30V
 Power Dissipation (P_D) **Note 4** Internally Limited
 Storage Temperature -65°C to +150°C
 Lead Temperature (soldering, 5 sec.) 260°C
 ESD, **Note 3**

Operating Ratings (Note 2)

Input Supply Voltage (V_{IN}) +2.0V to +30V
 Junction Temperature (T_J) **Note 4**
 MIC2950-05/MIC2950-06 -40°C to +125°C
 MIC2951-02/MIC2950-03 -40°C to +125°C

Electrical Characteristics (Note 16)

$V_{IN} = 6V$; $I_L = 100\mu A$; $C_L = 1\mu F$; $T_J = 25^\circ C$, **bold** values indicate $-40^\circ C \leq T_J \leq +125^\circ C$; **Note 8**; unless noted.

Parameter	Condition	Min	Typ	Max	Units
Output Voltage	MIC295x-02/-05 ($\pm 0.5\%$), $T_J = 25^\circ C$	4.975	5.000	5.025	V
	MIC295x-03/-06 ($\pm 1\%$), $T_J = 25^\circ C$	4.950	5.000	5.050	V
	MIC2951-3.3 ($\pm 1\%$), $T_J = 25^\circ C$	3.267	3.300	3.333	V
	MIC2951-4.8 ($\pm 1\%$), $T_J = 25^\circ C$	4.802	4.850	4.899	V
Output Voltage	MIC295x-02/-05 ($\pm 0.5\%$), $-25^\circ C \leq T_J \leq +85^\circ C$	4.950		5.050	V
	MIC295x-03/-06 ($\pm 1\%$), $-25^\circ C \leq T_J \leq +85^\circ C$	4.925		5.075	V
	MIC2951-3.3 ($\pm 1\%$), $-25^\circ C \leq T_J \leq +85^\circ C$	3.251		3.350	V
	MIC2951-4.8 ($\pm 1\%$), $-25^\circ C \leq T_J \leq +85^\circ C$	4.777		4.872	V
Output Voltage Over Full Temperature Range	MIC295x-02/-05 ($\pm 0.5\%$), $-40^\circ C$ to $+125^\circ C$	4.940		5.060	V
	MIC295x-03/-06 ($\pm 1\%$), $-40^\circ C$ to $+125^\circ C$	4.900		5.100	V
	MIC2951-3.3 ($\pm 1\%$), $-40^\circ C$ to $+125^\circ C$	3.234		3.366	V
	MIC2951-4.8 ($\pm 1\%$), $-40^\circ C$ to $+125^\circ C$	4.753		4.947	V
Output Voltage Over Load Variation	MIC295x-02/-05 ($\pm 0.5\%$), $100\mu A \leq I_L \leq 150mA$, $T_J \leq T_{J(max)}$	4.930		5.070	V
	MIC295x-03/-06 ($\pm 1\%$), $100\mu A \leq I_L \leq 150mA$, $T_J \leq T_{J(max)}$	4.880		5.120	V
	MIC2951-3.3 ($\pm 1\%$), $100\mu A \leq I_L \leq 150mA$, $T_J \leq T_{J(max)}$	3.221		3.379	V
	MIC2951-4.8 ($\pm 1\%$), $100\mu A \leq I_L \leq 150mA$, $T_J \leq T_{J(max)}$	4.733		4.967	V
Output Voltage Temperature Coefficient	MIC295x-02/-05 ($\pm 0.5\%$), Note 9		20	100	ppm/ $^\circ C$
	MIC295x-03/-06 ($\pm 1\%$), Note 9		50	150	ppm/ $^\circ C$
	MIC2951-3.3 ($\pm 1\%$), Note 9		50	150	ppm/ $^\circ C$
	MIC2951-4.8 ($\pm 1\%$), Note 9		50	150	ppm/ $^\circ C$
Line Regulation	MIC295x-02/-05 ($\pm 0.5\%$), Note 10, 11		0.03	0.10 0.20	% %
	MIC295x-03/-06 ($\pm 1\%$), Note 10, 11		0.04	0.20 0.40	% %
	MIC2951-3.3 ($\pm 1\%$), Note 10, 11		0.04	0.20 0.40	% %
	MIC2951-4.8 ($\pm 1\%$), Note 10, 11		0.04	0.20 0.40	% %

Parameter	Condition	Min	Typ	Max	Units
Load Regulation	MIC295x-02/-05 ($\pm 0.5\%$), $100\mu\text{A} \leq I_L \leq 150\text{mA}$, Note 10		0.04	0.10 0.20	% %
	MIC295x-03/-06 ($\pm 1\%$), $100\mu\text{A} \leq I_L \leq 150\text{mA}$, Note 10		0.10	0.20 0.30	% %
	MIC2951-3.3 ($\pm 1\%$), $100\mu\text{A} \leq I_L \leq 150\text{mA}$, Note 10		0.10	0.20 0.30	% %
	MIC2951-4.8 ($\pm 1\%$), $100\mu\text{A} \leq I_L \leq 150\text{mA}$, Note 10		0.10	0.20 0.30	% %
Dropout Voltage	MIC295x-02/-03/-05/-06, $I_L = 100\mu\text{A}$, Note 12		40	80 140	mV mV
	MIC295x-02/-03/-05/-06, $I_L = 100\text{mA}$, Note 12		250	300	mV
	MIC295x-02/-03/-05/-06, $I_L = 150\text{mA}$, Note 12		300	450 600	mV mV
	MIC2951-3.3 ($\pm 1\%$), $I_L = 100\mu\text{A}$, Note 12		40	80 150	mV mV
	MIC2951-3.3 ($\pm 1\%$), $I_L = 100\text{mA}$, Note 12		250	350	mV
	MIC2951-3.3 ($\pm 1\%$), $I_L = 150\text{mA}$, Note 12		320	450 600	mV mV
	MIC2951-4.8 ($\pm 1\%$), $I_L = 100\mu\text{A}$, Note 12		40	80 140	mV mV
	MIC2951-4.8 ($\pm 1\%$), $I_L = 100\text{mA}$, Note 12		250	300	mV
	MIC2951-4.8 ($\pm 1\%$), $I_L = 150\text{mA}$, Note 12		300	450 600	mV mV
Ground Current	MIC295x-02/-03/-05/-06, $I_L = 100\mu\text{A}$		120	180 300	μA μA
	MIC295x-02/-03/-05/-06, $I_L = 100\text{mA}$		1.7	2.5 3.5	mA mA
	MIC295x-02/-03/-05/-06, $I_L = 150\text{mA}$		4	6 8	mA mA
	MIC2951-3.3 ($\pm 1\%$), $I_L = 100\mu\text{A}$		100	180 300	μA μA
	MIC2951-3.3 ($\pm 1\%$), $I_L = 100\text{mA}$		1.7	2.5	mA
	MIC2951-3.3 ($\pm 1\%$), $I_L = 150\text{mA}$		4	6 10	mA mA
	MIC2951-4.8 ($\pm 1\%$), $I_L = 100\mu\text{A}$		120	180 300	μA μA
	MIC2951-4.8 ($\pm 1\%$), $I_L = 100\text{mA}$		1.7	2.5 3.5	mA mA
	MIC2951-4.8 ($\pm 1\%$), $I_L = 150\text{mA}$		4	6 8	mA mA
Dropout Ground Current	MIC295x-02/-03/-05/-06 ($\pm 0.5\%$), $V_{\text{IN}} = 4.5\text{V}$, $I_L = 100\mu\text{A}$		280	350 400	μA μA
	MIC2951-3.3 ($\pm 1\%$), $V_{\text{IN}} = 3.0\text{V}$, $I_L = 100\mu\text{A}$		150	350 400	μA μA
	MIC2951-4.8 ($\pm 1\%$), $V_{\text{IN}} = 4.3\text{V}$, $I_L = 100\mu\text{A}$		280	350 400	μA μA

Parameter	Condition	Min	Typ	Max	Units
Current Limit	$V_{OUT} = 0V$		300	400 450	mA mA
Thermal Regulation	Note 13		0.05	0.20	%/W
Output Noise	10Hz to 100kHz, $C_L = 1.5\mu F$		430		μV_{RMS}
	10Hz to 100kHz, $C_L = 200\mu F$		160		μV_{RMS}
	10Hz to 100kHz, $C_L = 3.3\mu F$, 0.01 μF bypass Feedback to Output		100		μV_{RMS}
Reference Voltage	MIC295x-02/-05 ($\pm 0.5\%$)	1.220 1.200	1.235	1.250 1.260	V V
	MIC295x-03/-06 ($\pm 1\%$)	1.210 1.200	1.235	1.260 1.270	V V
	MIC2951-3.3 ($\pm 1\%$)	1.210 1.200	1.235	1.260 1.270	V V
	MIC2951-4.8 ($\pm 1\%$)	1.210 1.200	1.235	1.260 1.270	V V
Reference Voltage	MIC295x-02/-05 ($\pm 0.5\%$), Note 14	1.190		1.270	V
	MIC295x-03/-06 ($\pm 1\%$), Note 14	1.185		1.285	V
	MIC2951-3.3 ($\pm 1\%$), Note 14	1.185		1.285	V
	MIC2951-4.8 ($\pm 1\%$), Note 14	1.185		1.285	V
Feedback Bias Current			20	40 60	nA nA
Reference Voltage Temperature Coefficient	MIC295x-02/-05 ($\pm 0.5\%$), Note 9		20		ppm/ $^{\circ}C$
	MIC295x-03/-06 ($\pm 1\%$), Note 9		50		ppm/ $^{\circ}C$
	MIC2951-3.3 ($\pm 1\%$), Note 9		50		ppm/ $^{\circ}C$
	MIC2951-4.8 ($\pm 1\%$), Note 9		50		ppm/ $^{\circ}C$
Feedback Bias Current Temperature Coefficient			0.1		nA/ $^{\circ}C$
Error Comparator (Flag) Output Leakage Current	$V_{OH} = 30V$		0.01	1.00 2.00	μA μA
Error Comparator (Flag) Output Low Voltage	$V_{IN} = 4.5V$, $I_{OL} = 200\mu A$		150	250 400	mV mV
Error Comparator Upper Threshold Voltage	Note 15	40 25	60		mV mV
Error Comparator Lower Threshold Voltage	Note 15		75	95 140	mV mV
Error Comparator Hysteresis	Note 15		15		mV

Parameter	Condition	Min	Typ	Max	Units
Shutdown Input Logic Voltage	MIC295x-02/-05 ($\pm 0.5\%$) Low High	2.0	1.3	0.7	V
					V
					V
	MIC295x-03/-06 ($\pm 1\%$) Low High	2.0	1.3	0.7	V
					V
					V
	MIC2951-3.3 ($\pm 1\%$) Low High	2.0	1.3	0.7	V
					V
V					
MIC2951-4.8 ($\pm 1\%$) Low High	2.0	1.3	0.7	V	
				V	
				V	
Shutdown Input Current	$V_{\text{SHUTDOWN}} = 2.4\text{V}$		30	50 100	μA μA
	$V_{\text{SHUTDOWN}} = 30\text{V}$		450	600 750	μA μA
Regulator Output Current in Shutdown	Note 7		3	10 20	μA μA

Note 1. Exceeding the absolute maximum rating may damage the device.

Note 2. The device is not guaranteed to function outside its operating rating.

Note 3. Devices are ESD sensitive. Handling precautions are recommended.

Note 4. The junction-to-ambient thermal resistance of the TO-92 package is $180^{\circ}\text{C}/\text{W}$ with 0.4" leads and $160^{\circ}\text{C}/\text{W}$ with 0.25" leads to a PC board. The thermal resistance of the 8-pin DIP package is $105^{\circ}\text{C}/\text{W}$ junction-to-ambient when soldered directly to a PC board. Junction-to-ambient thermal resistance for the SOIC (M) package is $160^{\circ}\text{C}/\text{W}$. Junction-to-ambient thermal resistance for the MM8™ (MM) is $250^{\circ}\text{C}/\text{W}$.

Note 5. The maximum positive supply voltage of 60V must be of limited duration ($\leq 100\text{ms}$) and duty cycle ($\leq 1\%$). The maximum continuous supply voltage is 30V.

Note 6. When used in dual-supply systems where the output terminal sees loads returned to a negative supply, the output voltage should be diode-clamped to ground.

Note 7. $V_{\text{SHDN}} \geq 2\text{V}$, $V_{\text{IN}} \leq 30\text{V}$, $V_{\text{OUT}} = 0$, with the FB pin connected to TAP.

Note 8. Additional conditions for 8-pin devices are $V_{\text{FB}} = 5\text{V}$, TAP and OUT connected to SNS ($V_{\text{OUT}} = 5\text{V}$) and $V_{\text{SHDN}} \leq 0.8\text{V}$.

Note 9. Output or reference voltage temperature coefficient is defined as the worst case voltage change divided by the total temperature range.

Note 10. Regulation is measured at constant junction temperature, using pulse testing with a low duty cycle. Changes in output voltage due to heating effects are covered in the specification for thermal regulation.

Note 11. Line regulation for the MIC2951 is tested at 150°C for $I_{\text{L}} = 1\text{mA}$. For $I_{\text{L}} = 100\mu\text{A}$ and $T_{\text{J}} = 125^{\circ}\text{C}$, line regulation is guaranteed by design to 0.2%. See Typical Performance Characteristics for line regulation versus temperature and load current.

Note 12. Dropout voltage is defined as the input to output differential at which the output voltage drops 100mV below its nominal value measured at 1V differential. At very low values of programmed output voltage, the minimum input supply voltage of 2V (2.3V over temperature) must be taken into account.

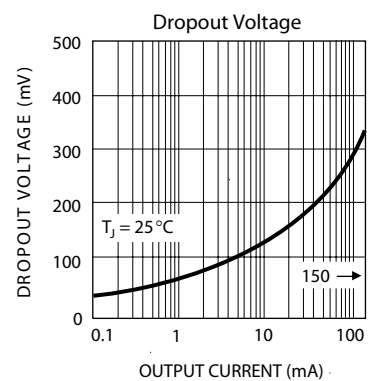
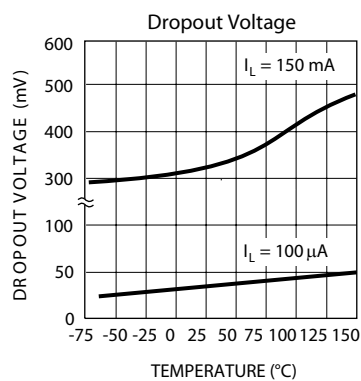
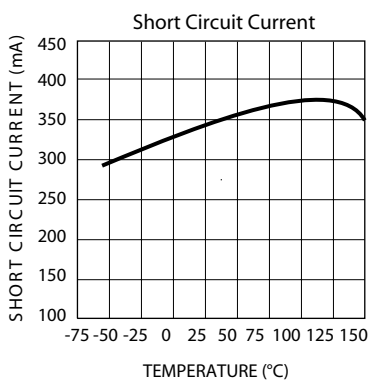
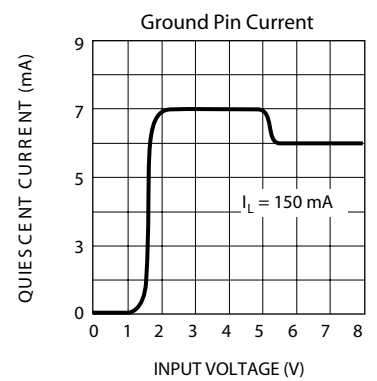
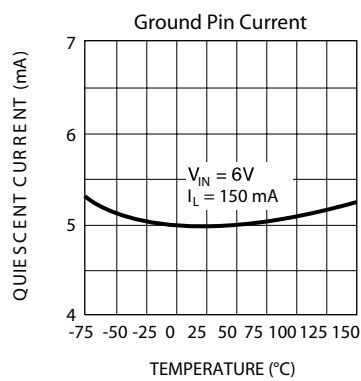
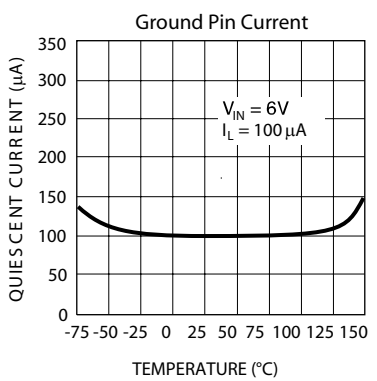
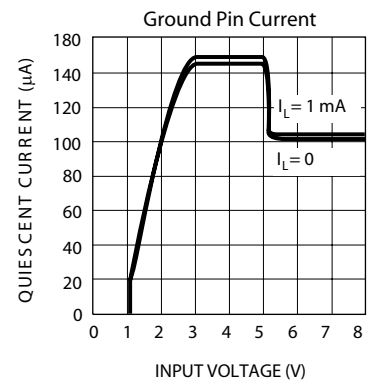
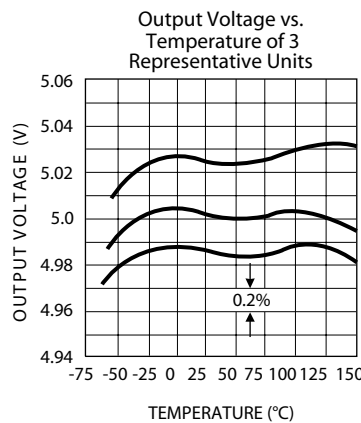
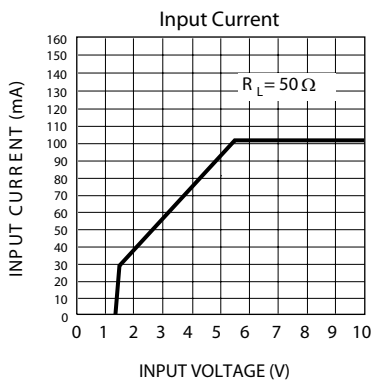
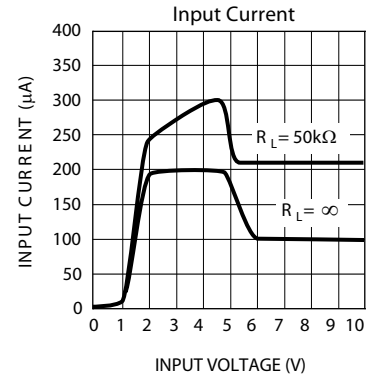
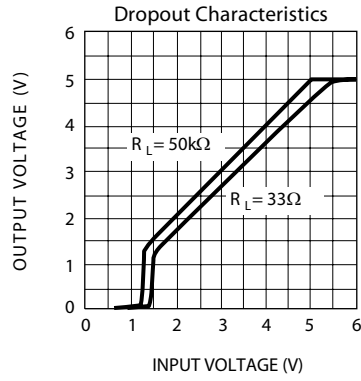
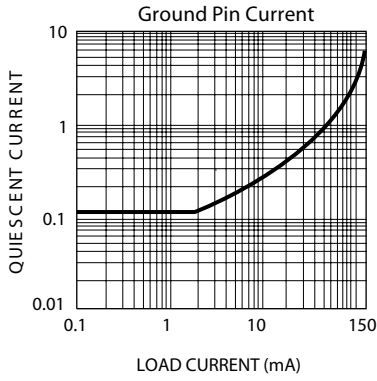
Note 13. Thermal regulation is defined as the change in output voltage at a time "t" after a change in power dissipation is applied, excluding load or line regulation effects. Specifications are for a 50mA load pulse at $V_{\text{IN}} = 30\text{V}$ (1.25W pulse) for $t = 10\text{ms}$.

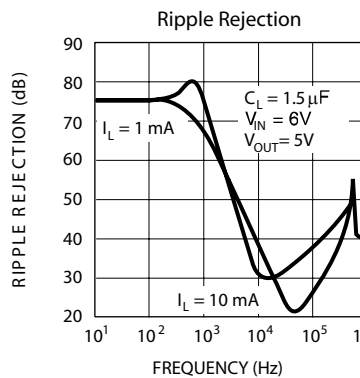
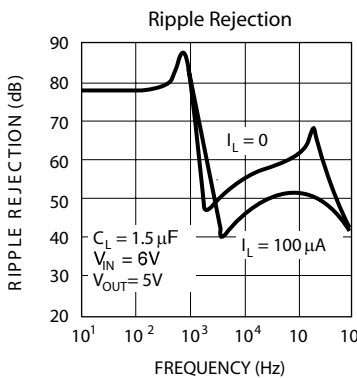
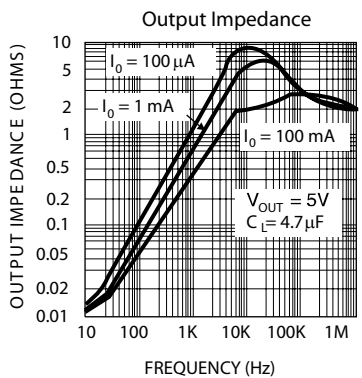
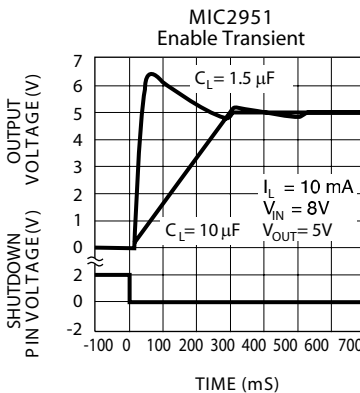
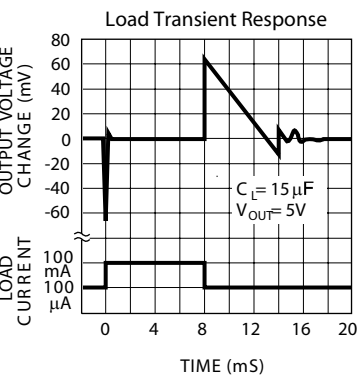
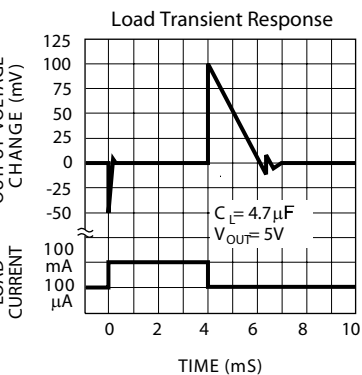
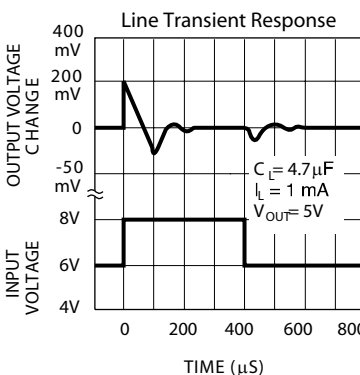
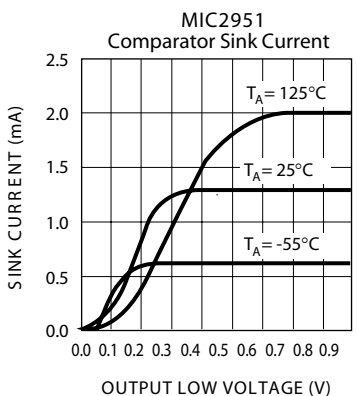
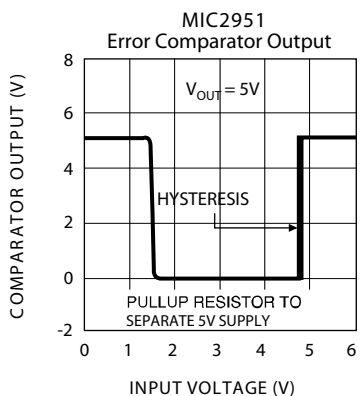
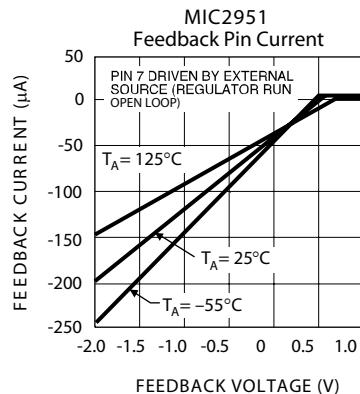
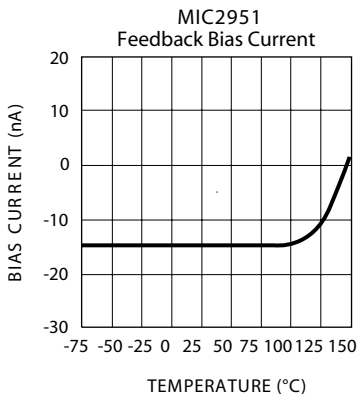
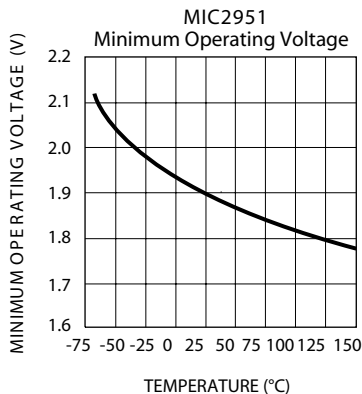
Note 14. $V_{\text{REF}} \leq V_{\text{OUT}} \leq (V_{\text{IN}} - 1\text{V})$, $2.3\text{V} \leq V_{\text{IN}} \leq 30\text{V}$, $100\mu\text{A} < I_{\text{L}} \leq 150\text{mA}$, $T_{\text{J}} \leq T_{\text{JMAX}}$.

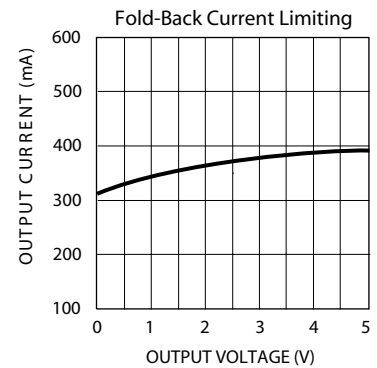
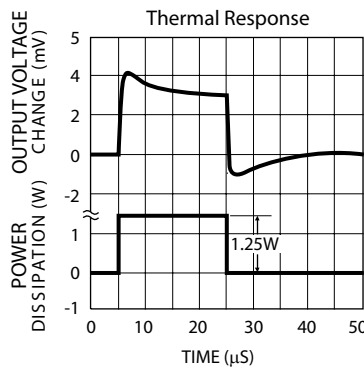
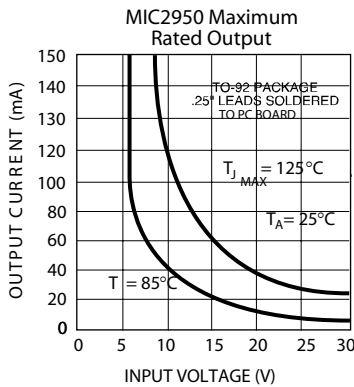
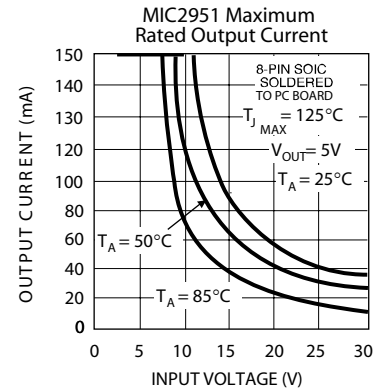
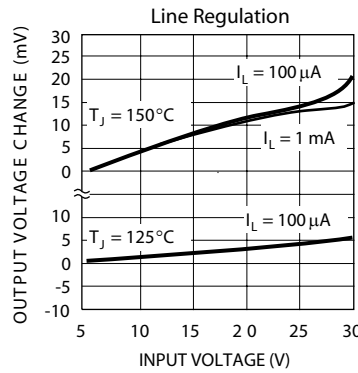
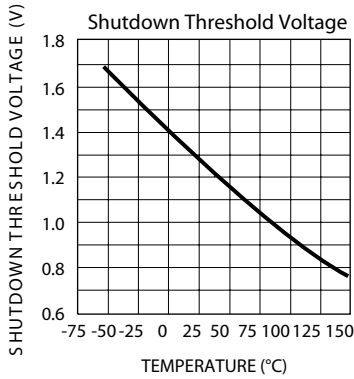
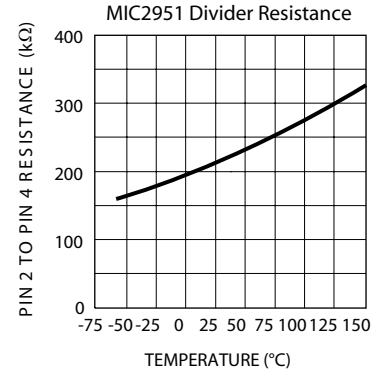
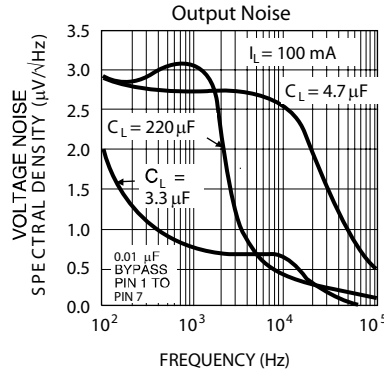
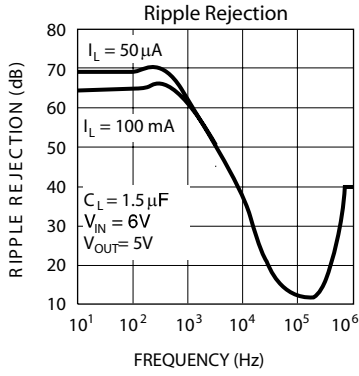
Note 15. Comparator thresholds are expressed in terms of a voltage differential at the FB terminal below the nominal reference voltage measured at 6V input. To express these thresholds in terms of output voltage change, multiply by the error amplifier gain $= V_{\text{OUT}}/V_{\text{REF}} = (R1 + R2)/R2$. For example, at a programmed output voltage of 5V, the error output is guaranteed to go low when the output drops by $95\text{mV} \times 5\text{V}/1.235\text{V} = 384\text{mV}$. Thresholds remain constant as a percent of V_{OUT} as V_{OUT} is varied, with the dropout warning occurring at typically 5% below nominal, 7.5% guaranteed.

Note 16. Specification for packaged product only.

Typical Characteristics







Applications Information

Automotive Applications

The MIC2950/2951 are ideally suited for automotive applications for a variety of reasons. They will operate over a wide range of input voltages, have very low dropout voltages (40mV at light loads), and very low quiescent currents. These features are necessary for use in battery powered systems, such as automobiles. They are also “bulletproof” devices; with the ability to survive both reverse battery (negative transients up to 20V below ground), and load dump (positive transients up to 60V) conditions. A wide operating temperature range with low temperature coefficients is yet another reason to use these versatile regulators in automotive designs.

External Capacitors

A 1.5 μF (or greater) capacitor is required between the MIC2950/MIC2951 output and ground to prevent oscillations due to instability. Most types of tantalum or aluminum electrolytics will be adequate; film types will work, but are costly and therefore not recommended. Many aluminum electrolytics have electrolytes that freeze at about -30°C , so solid tantalums are recommended for operation below -25°C . The important parameters of the capacitor are an effective series resistance of about 5Ω or less and a resonant frequency above 500kHz. The value of this capacitor may be increased without limit.

At lower values of output current, less output capacitance is required for output stability. The capacitor can be reduced to 0.5 μF for current below 10mA or 0.15 μF for currents below 1 mA. Using the 8-pin versions at voltages below 5V runs the error amplifier at lower gains so that more output capacitance is needed. For the worst-case situation of a 150mA load at 1.23V output (Output shorted to Feedback) a 5 μF (or greater) capacitor should be used.

The MIC2950 will remain stable and in regulation with no load in addition to the internal voltage divider, unlike many other voltage regulators. This is especially important in CMOS RAM keep-alive applications. When setting the output voltage of the MIC2951 version with external resistors, a minimum load of 1 μA is recommended.

A 0.1 μF capacitor should be placed from the MIC2950/MIC2951 input to ground if there is more than 10 inches of wire between the input and the AC filter capacitor or if a battery is used as the input.

Stray capacitance to the MIC2951 Feedback terminal (pin 7) can cause instability. This may especially be a problem when using high value external resistors to set the output voltage. Adding a 100pF capacitor between Output and Feedback and increasing the output capacitor to at least 3.3 μF will remedy this.

Error Detection Comparator Output

A logic low output will be produced by the comparator whenever the MIC2951 output falls out of regulation by more than approximately 5%. This figure is the comparator’s built-in offset of about 60mV divided by the 1.235V reference volt-

age. (Refer to the block diagram on Page 1). This trip level remains “5% below normal” regardless of the programmed output voltage of the MIC2951. For example, the error flag trip level is typically 4.75V for a 5V output or 11.4V for a 12V output. The out of regulation condition may be due either to low input voltage, current limiting, thermal limiting, or overvoltage on input (over $\cong 40\text{V}$).

Figure 1 is a timing diagram depicting the $\overline{\text{ERROR}}$ signal and the regulated output voltage as the MIC2951 input is ramped up and down. The $\overline{\text{ERROR}}$ signal becomes valid (low) at about 1.3V input. It goes high at about 5V input (the input voltage at which $V_{\text{OUT}} = 4.75$ —for 5.0V applications). Since the MIC2951’s dropout voltage is load-dependent (see curve in Typical Performance Characteristics), the input voltage trip point (about 5V) will vary with the load current. The output voltage trip point does not vary with load.

The error comparator has an open-collector output which requires an external pull-up resistor. Depending on system requirements, this resistor may be returned to the output or some other supply voltage. In determining a value for this resistor, note that while the output is rated to sink 200 μA , this sink current adds to battery drain in a low battery condition. Suggested values range from 100k to 1M Ω . The resistor is not required if this output is unused.

Programming the Output Voltage (MIC2951)

The MIC2951 may be pin-strapped for 5V (or 3.3V or 4.85V) using its internal voltage divider by tying Pin 1 (output) to Pin 2 (sense) and Pin 7 (feedback) to Pin 6 (5V Tap). Alternatively, it may be programmed for any output voltage between its 1.235V reference and its 30V maximum rating. An external pair of resistors is required, as shown in Figure 2.

The complete equation for the output voltage is

$$V_{\text{OUT}} = V_{\text{REF}} \times \{ 1 + R_1/R_2 \} + I_{\text{FB}} R_1$$

where V_{REF} is the nominal 1.235 reference voltage and I_{FB} is the feedback pin bias current, nominally -20nA . The minimum recommended load current of 1 μA forces an upper limit of 1.2M Ω on the value of R_2 , if the regulator must work with no load (a condition often found in CMOS in standby), I_{FB} will produce a 2% typical error in V_{OUT} which may be eliminated at room temperature by trimming R_1 . For better accuracy, choosing $R_2 = 100\text{k}$ reduces this error to 0.17% while increasing the resistor program current to 12 μA .

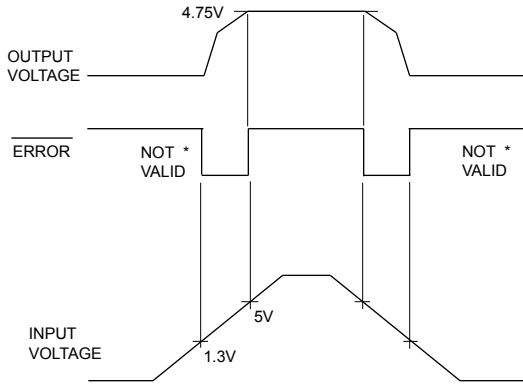
Reducing Output Noise

In some applications it may be advantageous to reduce the AC noise present at the output. One method is to reduce the regulator bandwidth by increasing the size of the output capacitor. This is the only method by which noise can be reduced on the 3 lead MIC2950 and is relatively inefficient, as increasing the capacitor from 1 μF to 220 μF only decreases the noise from 430 μV to 160 μV rms for a 100kHz bandwidth at 5V output.

Noise can be reduced fourfold by a bypass capacitor across R_1 , since it reduces the high frequency gain from 4 to unity. Pick:

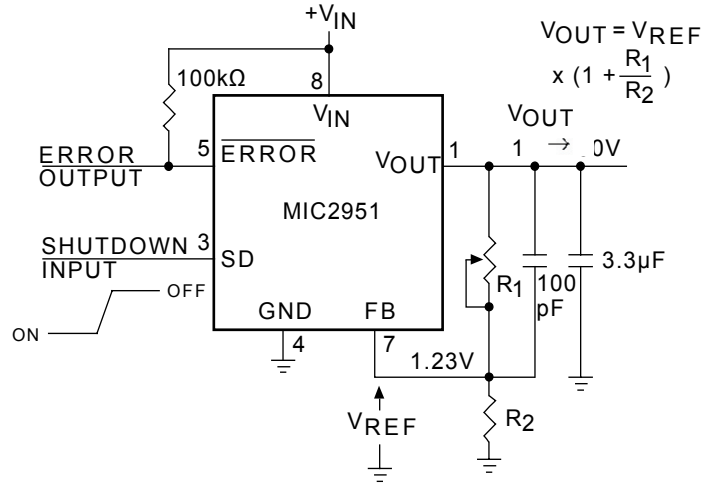
$$C_{\text{BYPASS}} \cong \frac{1}{2\pi R_1 \cdot 200 \text{ Hz}}$$

or about $0.01 \mu\text{F}$. When doing this, the output capacitor must be increased to $3.3 \mu\text{F}$ to maintain stability. These changes reduce the output noise from $430 \mu\text{V}$ to $100 \mu\text{V rms}$ for a 100 kHz bandwidth at 5V output. With the bypass capacitor added, noise no longer scales with output voltage so that improvements are more dramatic at higher output voltages.



* SEE APPLICATIONS INFORMATION

Figure 1. $\overline{\text{ERROR}}$ Output Timing

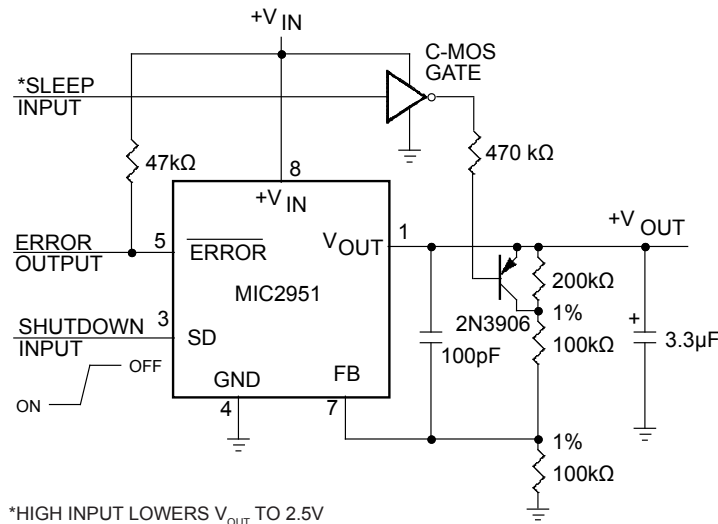


NOTE: PINS 2 AND 6 ARE LEFT OPEN

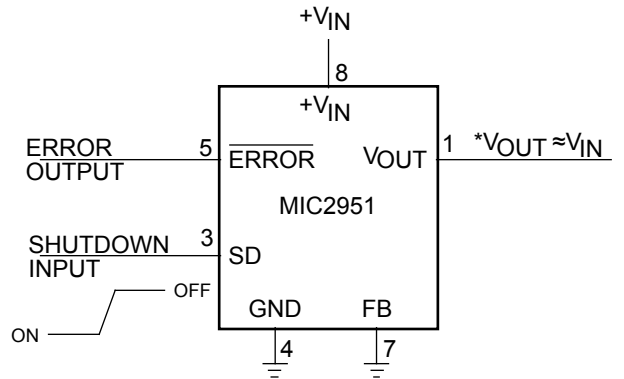
*SEE APPLICATIONS INFORMATION

Figure 2. Adjustable Regulator

Typical Applications

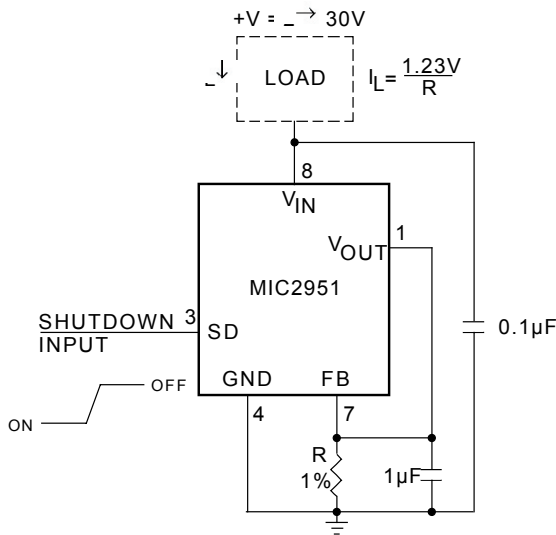


5V Regulator with 2.5V Sleep Function

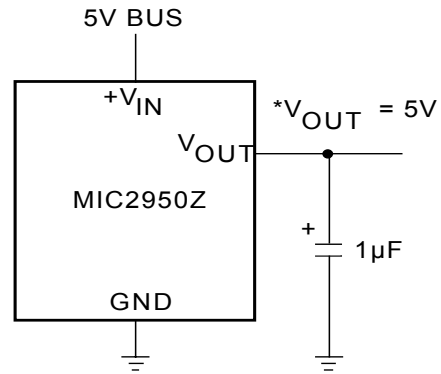


*MINIMUM INPUT-OUTPUT VOLTAGE RANGES FROM 40mV TO 400mV, DEPENDING ON LOAD CURRENT.

Wide Input Voltage Range Current Limiter

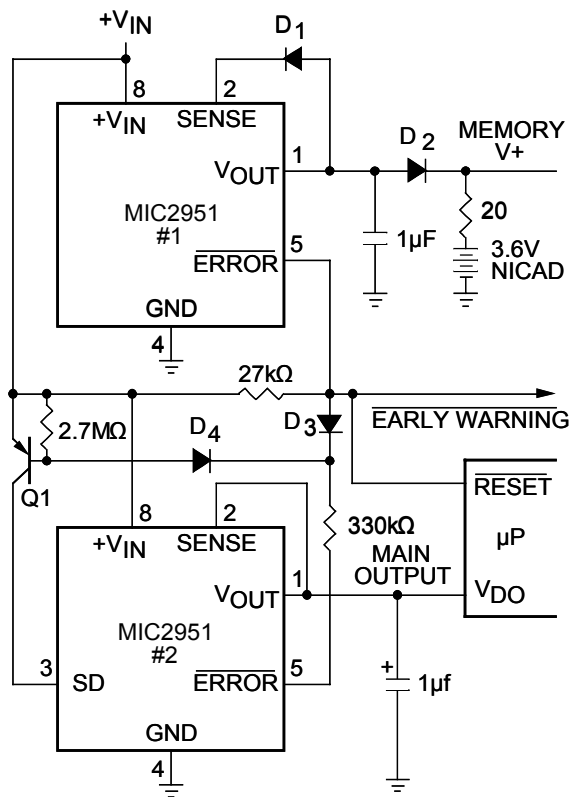


Low Drift Current Source



5-Volt Current Limiter

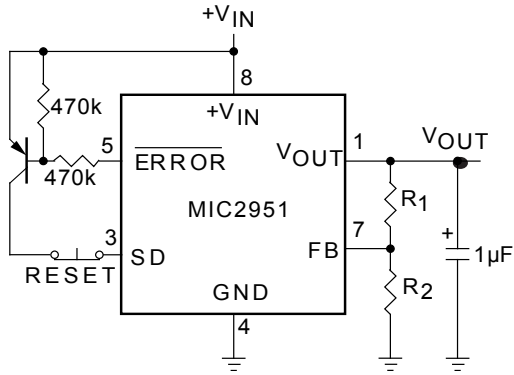
* MINIMUM INPUT-OUTPUT VOLTAGE RANGES FROM 40mV TO 400mV, DEPENDING ON LOAD CURRENT.



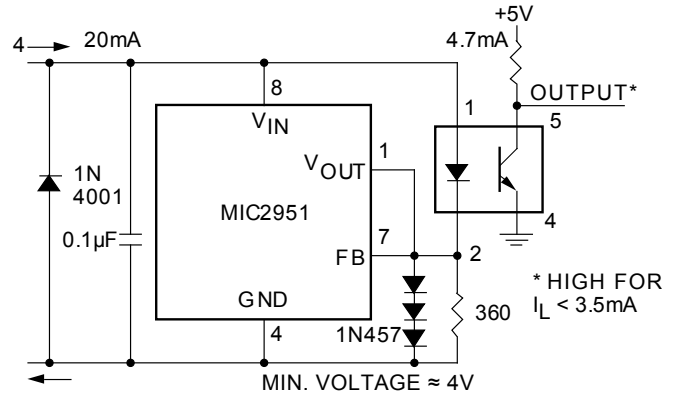
Regulator with Early Warning and Auxiliary Output

- EARLY WARNING FLAG ON LOW INPUT VOLTAGE
- MAIN OUTPUT LATCHES OFF AT LOWER INPUT VOLTAGES
- BATTERY BACKUP ON AUXILIARY OUTPUT

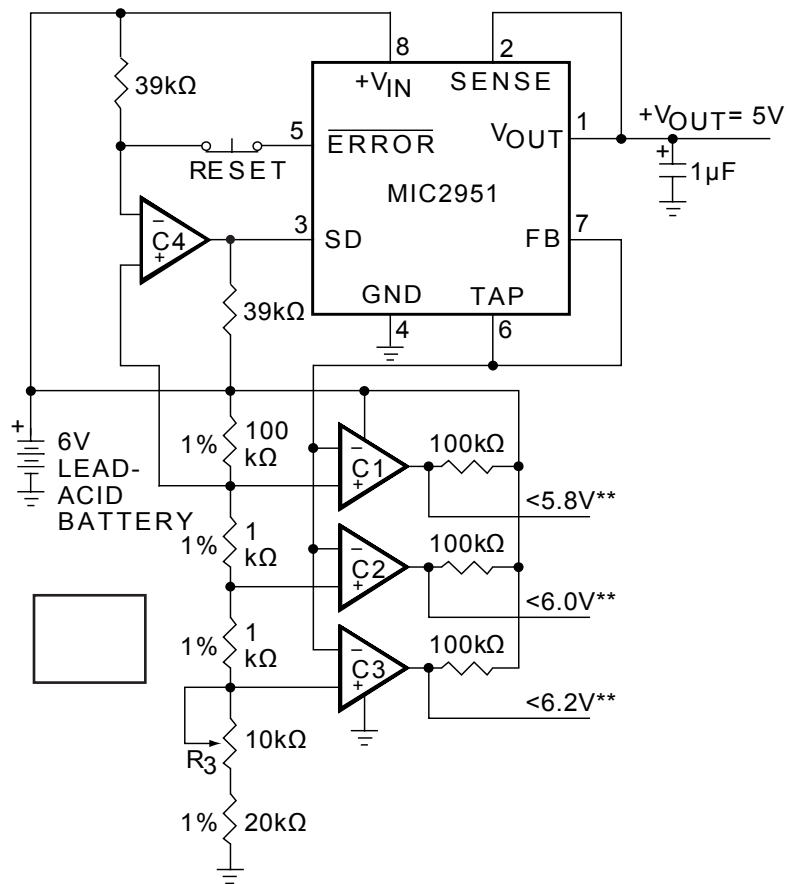
OPERATION: REG. #1'S V_{OUT} IS PROGRAMMED ONE DIODE DROP ABOVE 5 V. ITS ERROR FLAG BECOMES ACTIVE WHEN $V_{IN} \leq 5.7$ V. WHEN V_{IN} DROPS BELOW 5.3 V, THE ERROR FLAG OF REG. #2 BECOMES ACTIVE AND VIA Q1 LATCHES THE MAIN OUTPUT OFF. WHEN V_{IN} AGAIN EXCEEDS 5.7 V REG. #1 IS BACK IN REGULATION AND THE EARLY WARNING SIGNAL RISES, UNLATCHING REG. #2 VIA D3.



Latch Off When Error Flag Occurs

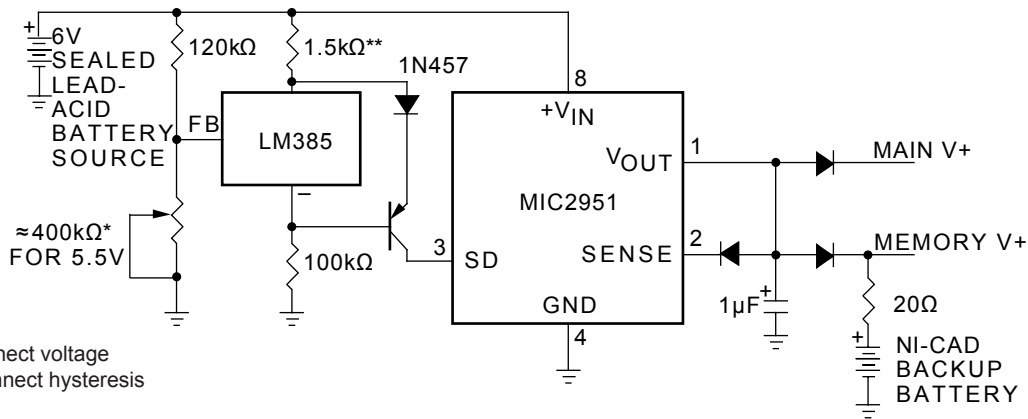


Open Circuit Detector for 4mA to 20mA Current Loop



C1 TO C4 ARE COMPARATORS (LP339 OR EQUIVALENT)
 *OPTIONAL LATCH OFF WHEN DROP OUT OCCURS. ADJUST R3 FOR C2 SWITCHING WHEN V_{IN} IS 6.0V
 **OUTPUTS GO LOW WHEN V_{IN} DROPS BELOW DESIGNATED THRESHOLDS.

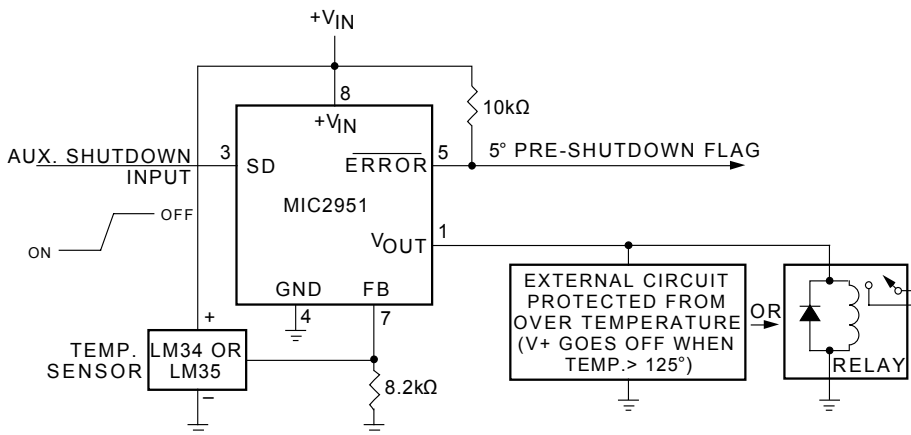
Regulator with State-of-Charge Indicator



* Sets disconnect voltage
 ** Sets disconnect hysteresis

Low-Battery Disconnect

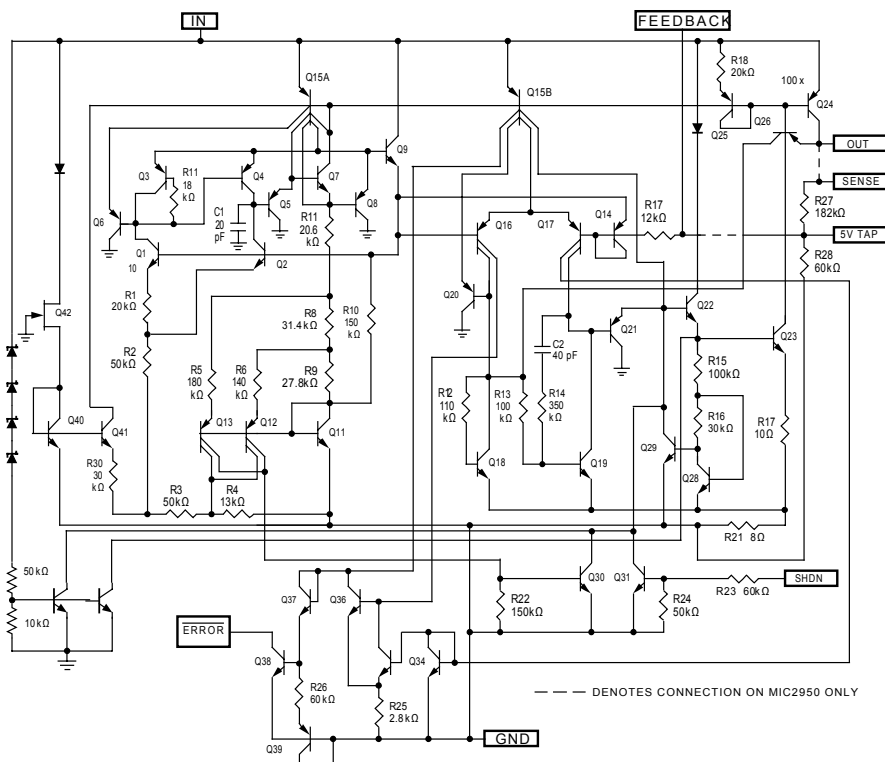
For values shown, Regulator shuts down when $V_{IN} < 5.5\text{ V}$ and turns on again at 6.0 V . Current drain in disconnected mode is $150\mu\text{A}$.



LM34 for 125°F Shutdown
 LM35 for 125°C Shutdown

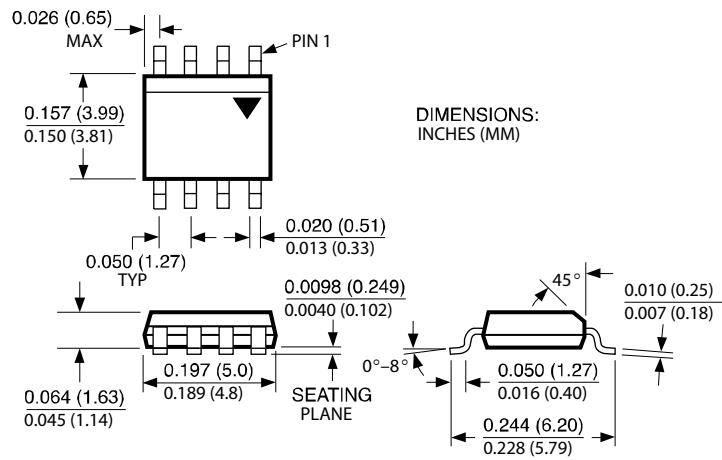
System Overtemperature Protection Circuit

Schematic Diagram

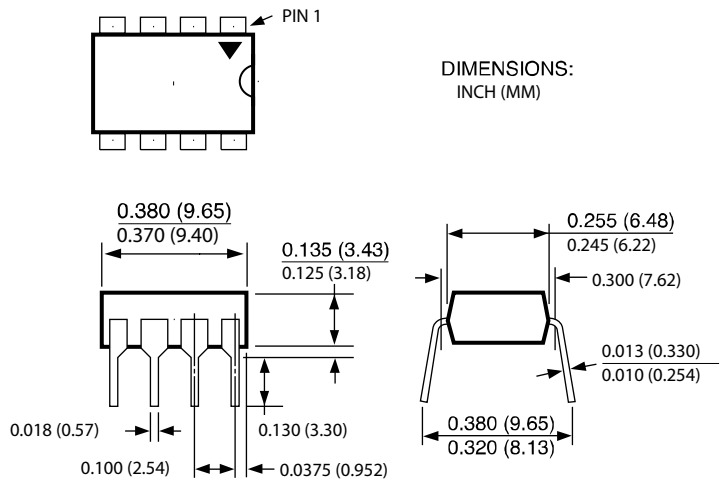


--- DENOTES CONNECTION ON MIC2950 ONLY

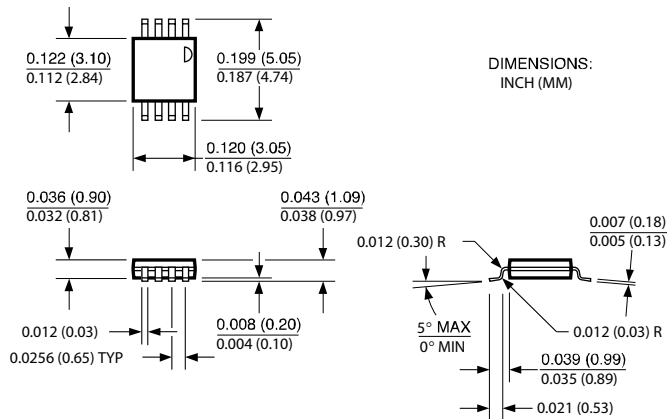
Package Information



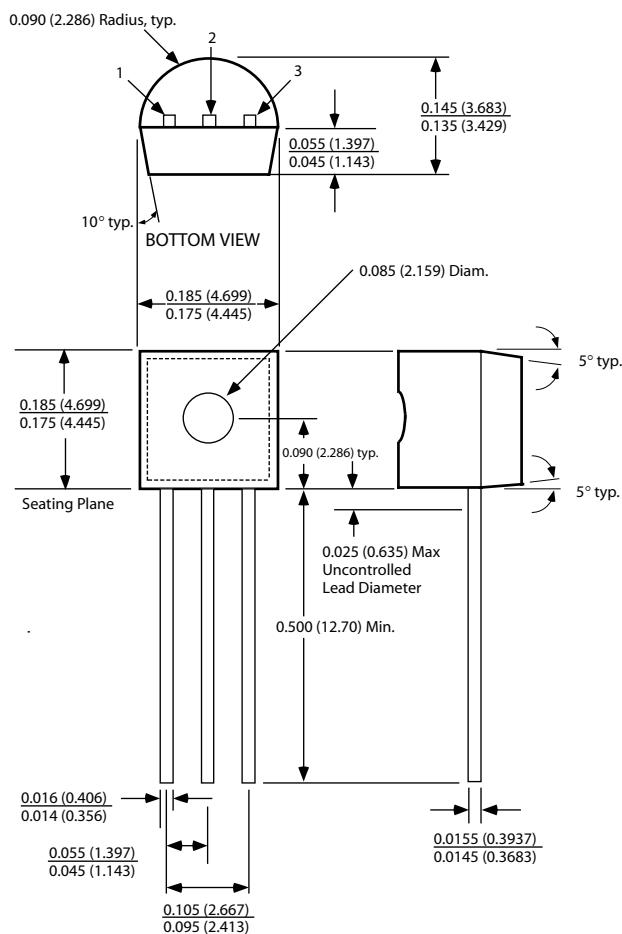
8-Pin SOIC (M)



8-Pin Plastic DIP (N)



8-Lead MSOP (MM)



TO-92 (Z)

MICREL INC. 2180 FORTUNE DRIVE SAN JOSE, CA 95131 USA

TEL + 1 (408) 944-0800 FAX + 1 (408) 474-1000 WEB <http://www.micrel.com>

This information furnished by Micrel in this data sheet is believed to be accurate and reliable. However no responsibility is assumed by Micrel for its use. Micrel reserves the right to change circuitry and specifications at any time without notification to the customer.

Micrel Products are not designed or authorized for use as components in life support appliances, devices or systems where malfunction of a product can reasonably be expected to result in personal injury. Life support devices or systems are devices or systems that (a) are intended for surgical implant into the body or (b) support or sustain life, and whose failure to perform can be reasonably expected to result in a significant injury to the user. A Purchaser's use or sale of Micrel Products for use in life support appliances, devices or systems is a Purchaser's own risk and Purchaser agrees to fully indemnify Micrel for any damages resulting from such use or sale.