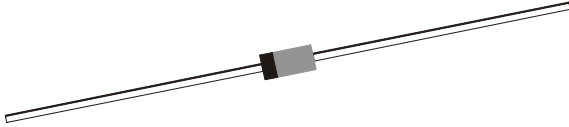


SILICON GENERAL PURPOSE SWITCHING DIODES AXIAL LEAD

**CS 1553
CS 1555
DO-35**



General Purpose, Industrial Applications
Hermetically Sealed Glass With A Stud On Either Side Of The Chip Provides Excellent Stability.

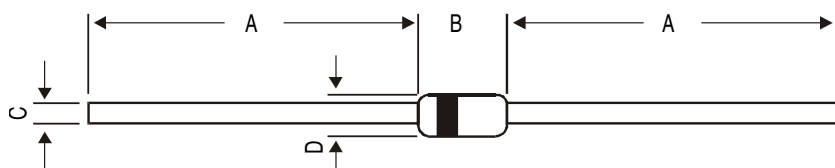
ABSOLUTE MAXIMUM RATINGS(Ta=25 deg C Unless Otherwise Specified)

DESCRIPTION	SYMBOL	CS1553	CS1555	UNIT
Peak Repetitive Reverse Voltage	VRRM	70	35	V
Reverse Voltage (Continuous)	VR	60	30	V
Average Forward Current	IF(AV)		100	mA
Repetitive Peak Forward Current	IFRM		300	mA
Non Repetitive Peak Surge Current (1us)	IFSM		2000	mA
(1 sec)	IFSM		500	mA
Power Dissipation	PTA		300	mW
Operating & Storage Junction Temperature Range	TJ, Tstg		-65 to +200	deg C

ELECTRICAL CHARACTERISTICS (Ta=25 deg C Unless Specified)

DESCRIPTION	SYMBOL	TEST CONDITION	MIN	TYP	MAX	UNIT
Forward Voltage	VF	IF=100mA	-	-	1.0	V
Reverse Current	IR	VR=60V CS 1553	-	-	500	nA
		VR=30V CS 1555	-	-	500	nA
Reverse Breakdown Voltage	VBR	IR=100uA CS 1553	70	-	-	V
		CS 1555	35	-	-	V
Diode Capacitance	Cd	VR=0V, f=1MHz	-	-	3.5	pF

DO-35 Glass Axial Package

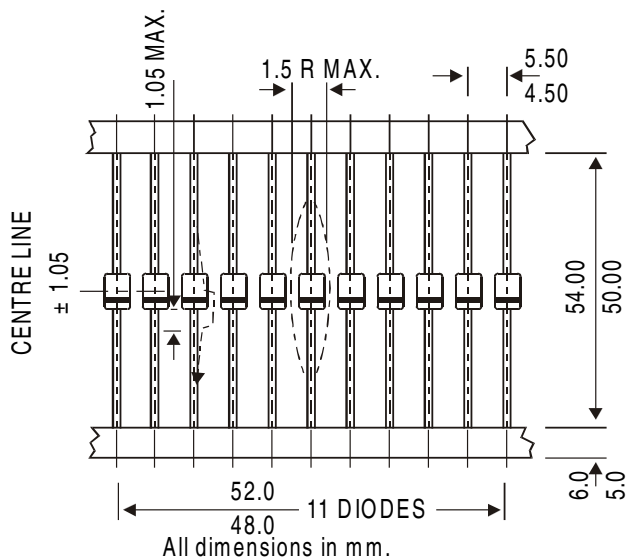


DIM	MIN	MAX
A	25.40	—
B	3.03	4.44
C	0.46	0.56
D	1.52	2.29

NOTES

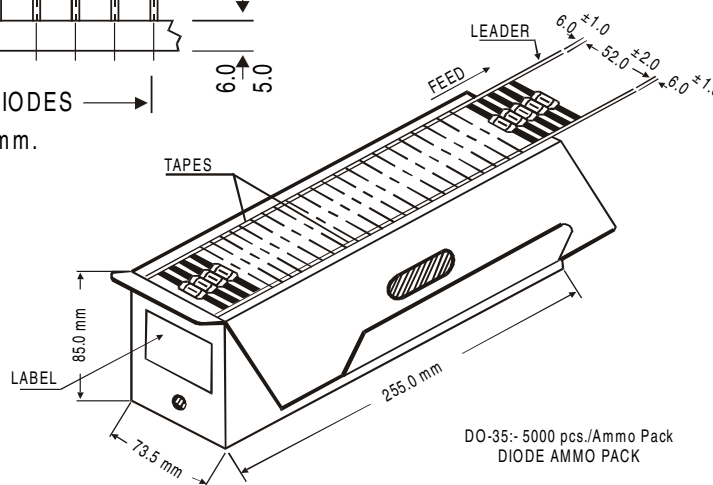
1. Cathode is marked by Band.
2. All dimensions are in mm.

DO-35, 52mm Taping Specification



52 mm Taping Specification

1. T & A indicates Axial Tape & Ammo packing (52 mm Tape Spacing).
2. 300 mm (min) leader tape on every spool.
3. No. of empty places allowed 0.25% without consecutive empty places.
4. Ends of leads shall preferably not protrude beyond the tapes.
5. Components shall be held sufficiently in the tape or tapes so that they can not come free in normal handling.



On request also available in 26 mm Tape and Ammo Pack

Packing Detail

PACKAGE	STANDARD PACK		INNER CARTON BOX		OUTER CARTON BOX		
	Details	Net Weight/Qty	Size	Qty	Size	Qty	Gr Wt
DO-35 T&A	5K/ammo box	0.88 kg/5K pcs	10" x 3.5" x 3.5"	5.0K	12.7" x 12.7" x 20"	125.0K	25 kgs

Customer Notes

Disclaimer

The product information and the selection guides facilitate selection of the CDIL's Discrete Semiconductor Device(s) best suited for application in your product(s) as per your requirement. It is recommended that you completely review our Data Sheet(s) so as to confirm that the Device(s) meet functionality parameters for your application. The information furnished on the CDIL Web Site/CD are believed to be accurate and reliable. CDIL however, does not assume responsibility for inaccuracies or incomplete information. Furthermore, CDIL does not assume liability whatsoever, arising out of the application or use of any CDIL product; neither does it convey any license under its patent rights nor rights of others. These products are not designed for use in life saving/support appliances or systems. CDIL customers selling these products (either as individual Discrete Semiconductor Devices or incorporated in their end products), in any life saving/support appliances or systems or applications do so at their own risk and CDIL will not be responsible for any damages resulting from such sale(s).

CDIL strives for continuous improvement and reserves the right to change the specifications of its products without prior notice.



CDIL is a registered Trademark of

Continental Device India Limited

C-120 Naraina Industrial Area, New Delhi 110 028, India.

Telephone + 91-11-2579 6150, 5141 1112 Fax + 91-11-2579 5290, 5141 1119

email@cdil.com www.cdilsemi.com