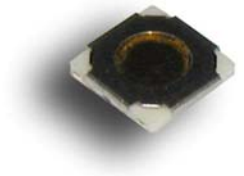


SPECIFICATIONS

Electrical Ratings	50mA @ 50VDC
Electrical Life	500,000 cycles typical
Contact Resistance	< 50 mΩ initial
Actuation Force	160 +/- 50gF 260 +/- 50gF
Actuator Travel	.25 +/- .1mm
Dielectric Strength	250Vrms min
Insulation Resistance	> 100MΩ min
Operating Temperature	-40°C to 85°C
Storage Temperature	-40°C to 85°C



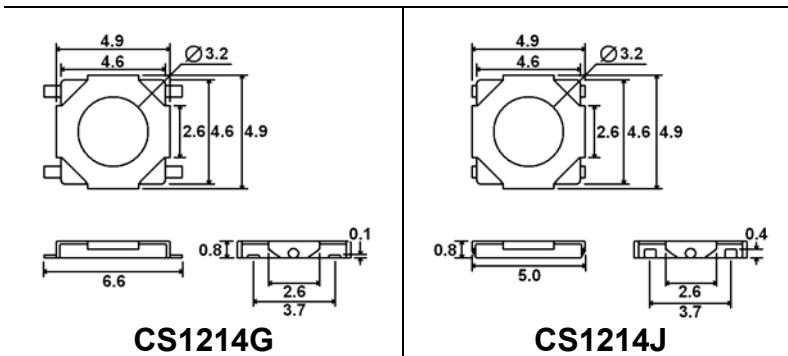
MATERIALS ←RoHS COMPLIANT

Actuator	Brass
Housing	4/6 Nylon
Cover	Stainless Steel
Contacts	Stainless Steel, Silver Plated
Terminals	Brass, Silver Plated

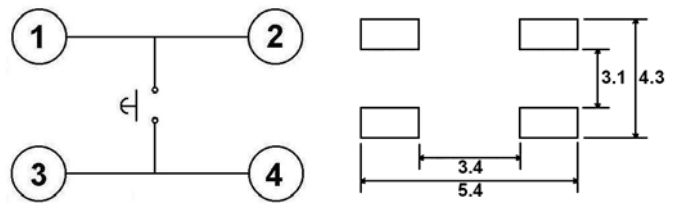
ORDERING INFORMATION

1. Series:	CS1214	J	F160
	CS1214		
	CS1214E (Earth Ground terminal)		
2. Actuator Option:			
	Blank = Flat Actuator		
	A = Extended Actuator		
3. Terminal Option:			
	G = Gull Wing		
	J = J Lead		
4. Actuation Force:			
	F160 = 160gF		
	F260 = 260gF		

DIMENSIONS

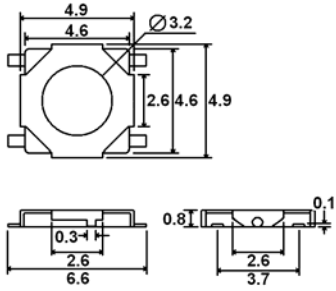
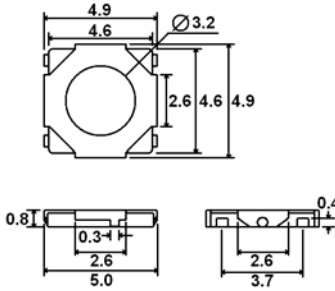
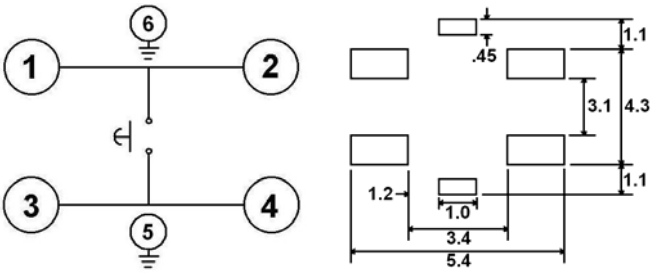
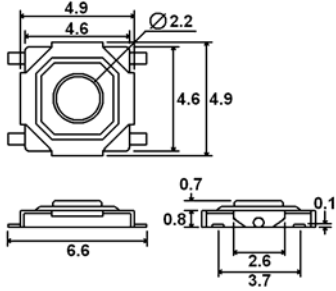
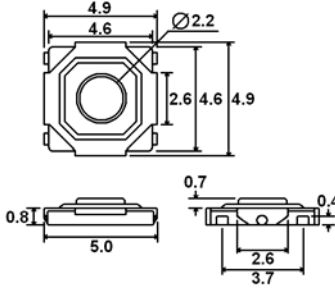
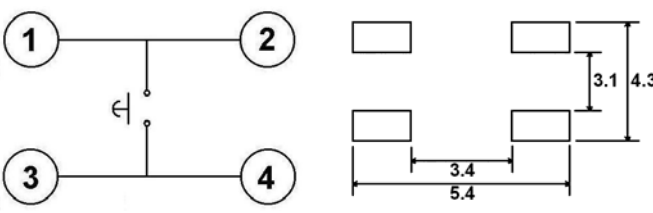
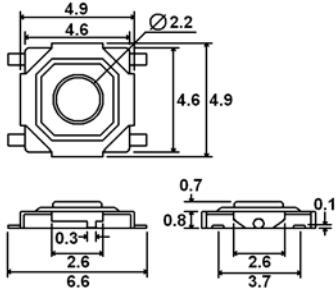
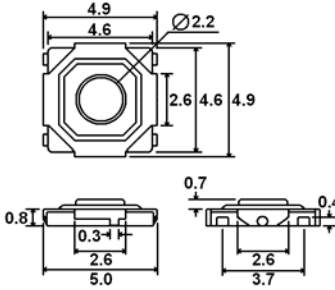


SCHEMATIC & PC LAYOUTS



DIMENSIONS

SCHEMATIC & PC LAYOUTS

 <p>CS1214EG</p>	 <p>CS1214EJ</p>	
 <p>CS1214AG</p>	 <p>CS1214AJ</p>	
 <p>CS1214EAG</p>	 <p>CS1214EAJ</p>	