

SPECIFICATIONS

| | |
|-----------------------|---|
| Electrical Ratings | 100mA @ 24VDC |
| Electrical Life | 100,000 cycles typical |
| Contact Resistance | < 50 mΩ initial |
| Actuation Force | 50 +/- 25gF |
| Actuator Travel | Total: 2.0mm +/- .25mm To Make: 0.4mm +/- .1mm |
| Dielectric Strength | 250Vrms min |
| Insulation Resistance | > 100MΩ min |
| Operating Temperature | -40°C to 85°C |
| Storage Temperature | -40°C to 85°C |



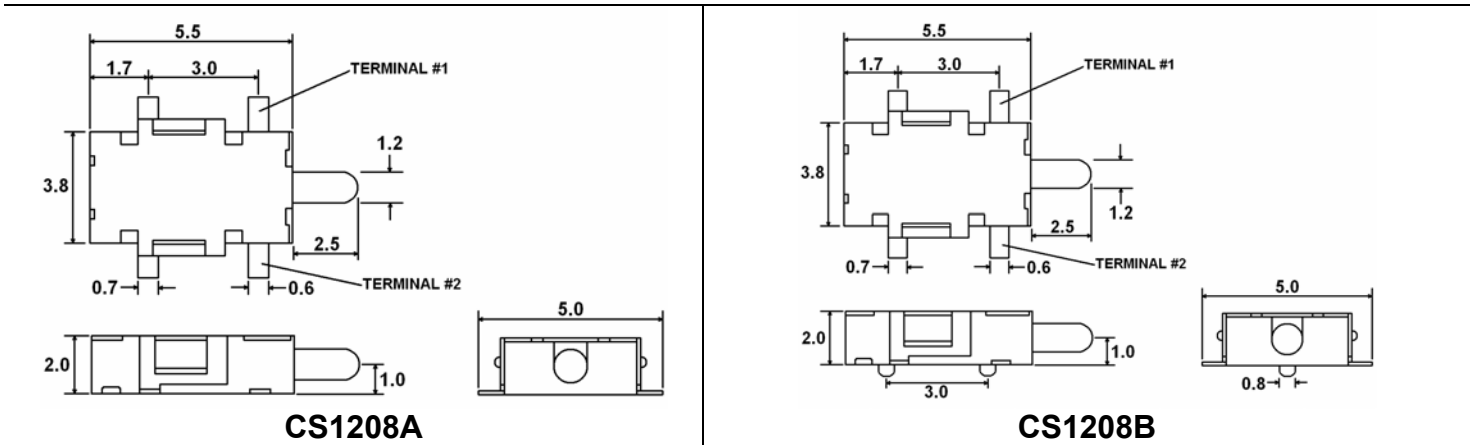
MATERIALS ←RoHS COMPLIANT

| | |
|-----------|--------------------------------|
| Actuator | 4/6 Nylon |
| Housing | 4/6 Nylon |
| Cover | Stainless Steel |
| Contacts | Stainless Steel, Silver Plated |
| Terminals | Brass, Silver Plated |

ORDERING INFORMATION

| | | |
|----------------------------|---|----------|
| 1. Series: | CS1208 | B |
| CS1208 | | |
| 2. Switch Function: | Blank = SPST N.O (Standard) C = SPST N.C. | |
| 3. Mounting Style: | A = Without Locating Pins B = With Locating Pins | |

DIMENSIONS



SCHEMATIC & PC LAYOUT

