

## SPECIFICATIONS

Electrical Ratings	50mA @ 48VDC
Electrical Life	100,000 cycles typical
Contact Resistance	< 50 mΩ initial
Actuation Force	160 +/- 50gF 260 +/- 50gF
Actuator Travel	.25 +/- .1mm
Dielectric Strength	1000Vrms min
Insulation Resistance	> 100MΩ min
Operating Temperature	-40°C to 85°C
Storage Temperature	-40°C to 85°C



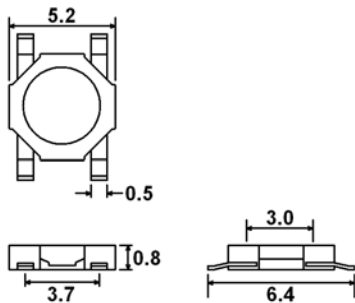
## MATERIALS ←RoHS COMPLIANT

Actuator	Brass
Housing	4/6 Nylon
Cover	Stainless Steel
Contacts	Stainless Steel, Silver Plated
Terminals	Phosphor Bronze, Silver Plated

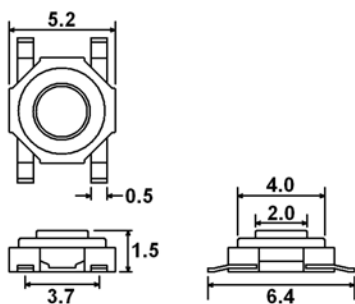
## ORDERING INFORMATION

<b>1. Series:</b>	<b>CS1204</b>	<b>F160</b>
CS1204		
CS1204A		
<b>2. Actuation Force:</b>		
F160 = 160gF		
F260 = 260gF		

## DIMENSIONS



**CS1204**



**CS1204A**

## SCHEMATIC & PC LAYOUT

