



SPECIFICATIONS

Electrical Ratings	50mA @ 48VDC
Electrical Life	100,000 cycles typical
Contact Resistance	< 50 mΩ initial
Actuation Force	100 +/- 50gF 160 +/- 30gF 260 +/- 50gF
Actuator Travel	.25 +/- .1mm
Dielectric Strength	1000Vrms min
Insulation Resistance	> 1000MΩ min
Operating Temperature	-40°C to 85°C
Storage Temperature	-40°C to 85°C

MATERIALS

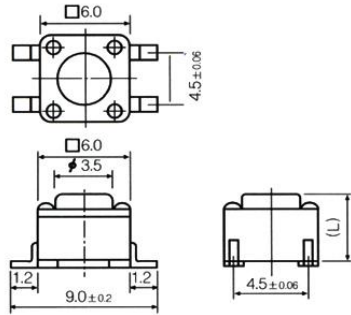
Actuator	4/6 Nylon
Housing	4/6 Nylon
Cover	Stainless Steel
Contacts	Phosphor Bronze, Silver Plated
Terminals	Brass, Silver Plated

ORDERING INFORMATION

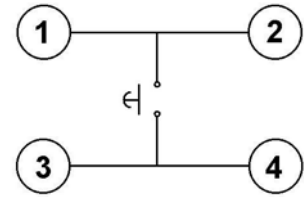
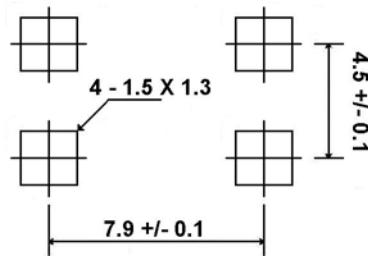
1. Series:	CS1102	11.0	F260
CS1102			
2. Actuator Length "L" (mm):			
4.3			
5.0			
7.0			
7.5			
8.0			
9.5			
11.0			
11.5			
12.0			
13.0			
14.5			
15.0			
17.0			
S2.8 = 2.8mm square head			
3. Actuation Force:			
F100 = 100gF			
F160 = 160gF			
F260 = 260gF			
4. Cap Options:	Cap Colors:		
Blank = No Cap	1 = White		
C01	2 = Black		
C02	9 = Gray		
C03			

Part Number	"L" (mm)	Part Number	"L" (mm)
CS11024.3	4.3	CS110211.5	11.5
CS11025.0	5.0	CS110212.0	12.0
CS11027.0	7.0	CS110213.0	13.0
CS11027.5	7.5	CS110214.5	14.5
CS11028.0	8.0	CS110215.0	15.0
CS11029.5	9.5	CS110217.0	17.0
CS110211.0	11.0	CS1102S2.8	7.5

DIMENSIONS

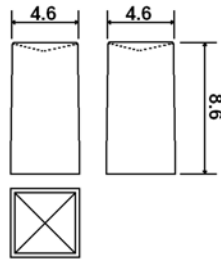


PC LAYOUT & SCHEMATIC

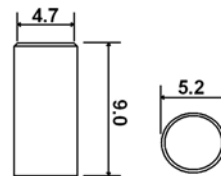


CAP OPTIONS

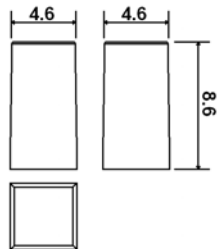
(Available with S2.8 actuator only)



C01



C02



C03