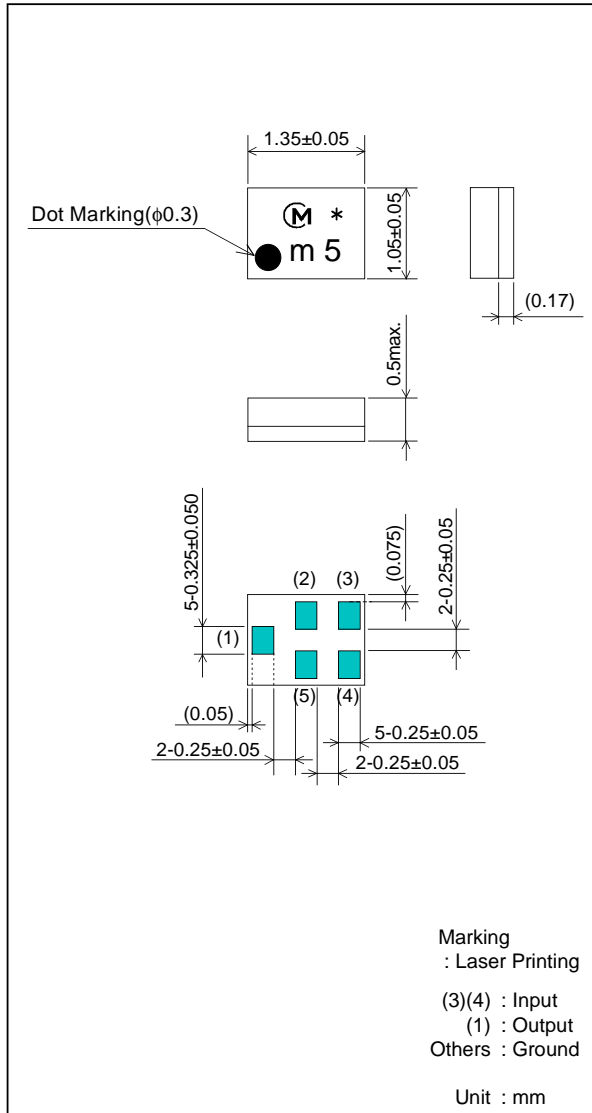


SAW FILTER FOR UMTS BC4 Tx

Murata part number : SAFEA1G73FLOF00

Package Dimensions



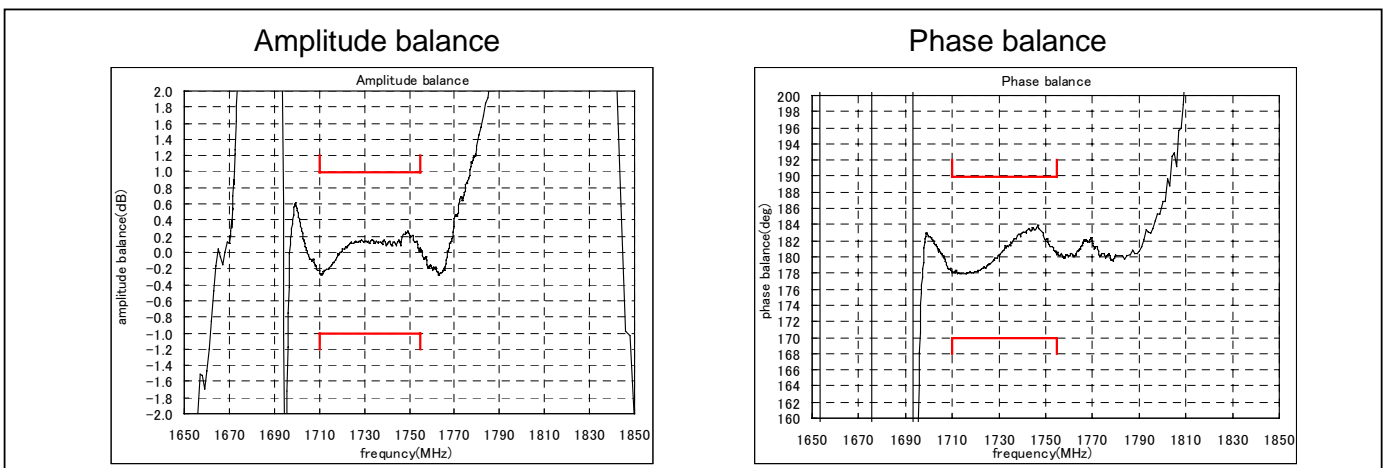
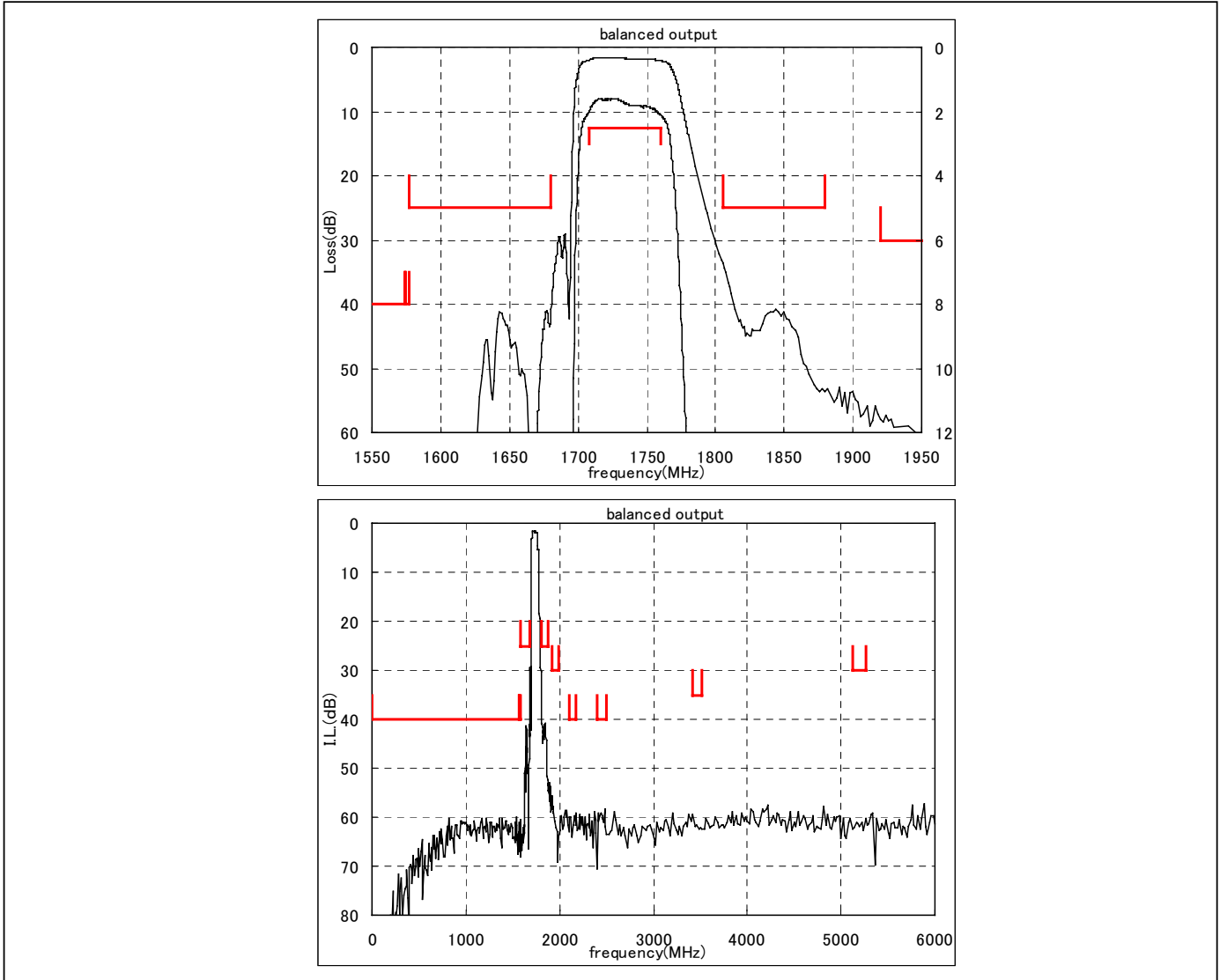
Specification

Item	Specification		
	-30 to 85°C	25±2°C	typ.
Nominal Center Frequency(fc)	1732.5MHz		
Insertion Loss (1710 to 1755MHz)	2.5 dB max.	2.3 dB max.	2.0 dB
Absolute Attenuation			
1) 0.1 to 1574 MHz	40 dB min.	40 dB min.	59 dB
2) 1574 to 1577 MHz	40 dB min.	40 dB min.	63 dB
3) 1577 to 1680 MHz	25 dB min.	25 dB min.	41 dB
4) 1805 to 1880 MHz	25 dB min.	25 dB min.	33 dB
5) 1920 to 1990 MHz	30 dB min.	30 dB min.	58 dB
6) 2110 to 2170 MHz	40 dB min.	40 dB min.	60 dB
7) 2400 to 2500 MHz	40 dB min.	40 dB min.	60 dB
8) 3420 to 3510 MHz	35 dB min.	35 dB min.	66 dB
9) 5130 to 5265 MHz	30 dB min.	30 dB min.	46 dB
Ripple Deviation (1710 to 1755MHz)	1.5dB max.	1.3dB max.	0.3 dB
Ripple Deviation any 5MHz (1710 to 1755MHz)	0.5dB max.	0.5dB max.	0.2 dB
VSWR (1710 to 1755MHz)	2.0 max.	1.9 max.	1.5
Amplitude Balance (1710 to 1755MHz)	±1.0dB max.	±1.0dB max.	-0.3dB
Phase Balance (1710 to 1755MHz)	180±10deg. max.	180±10deg. max.	180-4deg.
Input Impedance (nominal)	200Ω//56nH		
Output Impedance (nominal)	50Ω		
Input Signal Level	20mW (+13dBm), 2000 hours		

SAW FILTER FOR UMTS BC4 Tx

Murata part number : SAFEA1G73FL0F00

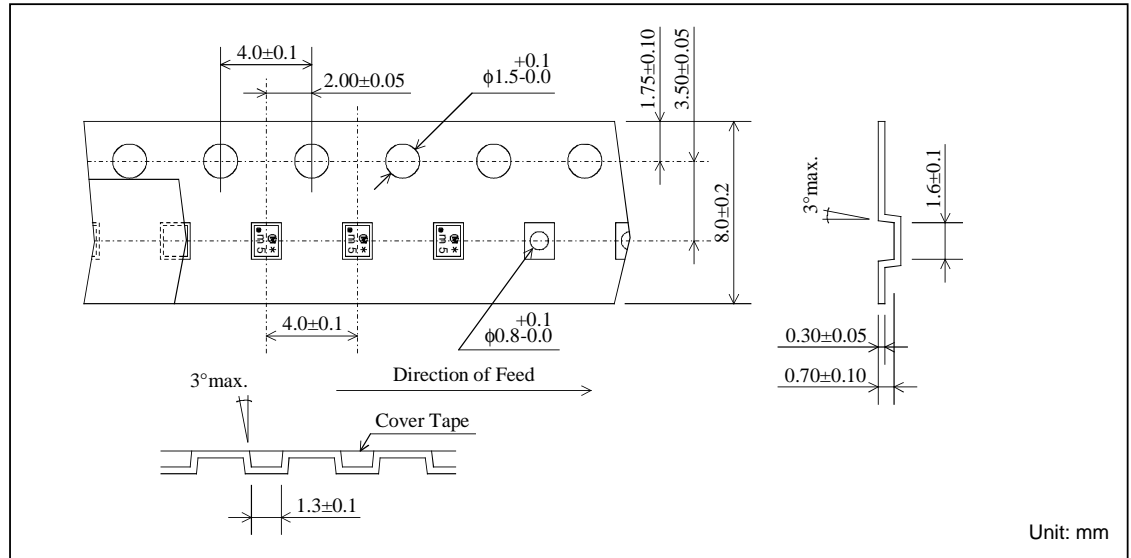
Frequency Performance



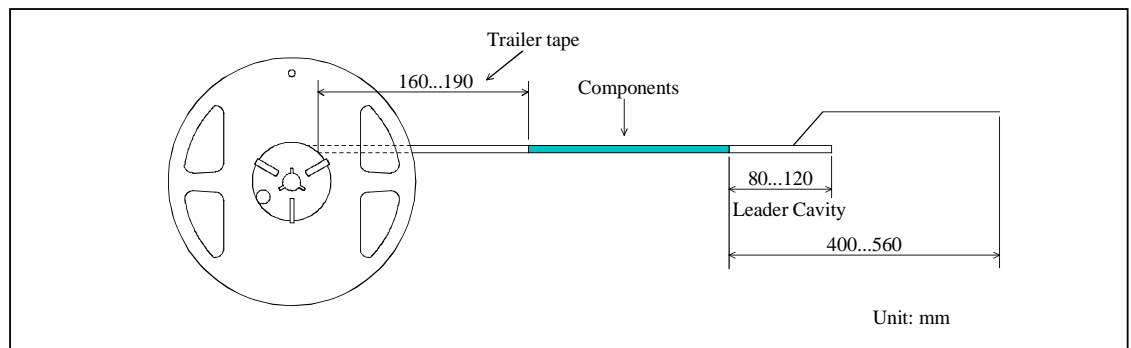
SAW FILTER FOR UMTS BC4 Tx

Murata part number : SAFEA1G73FL0F00

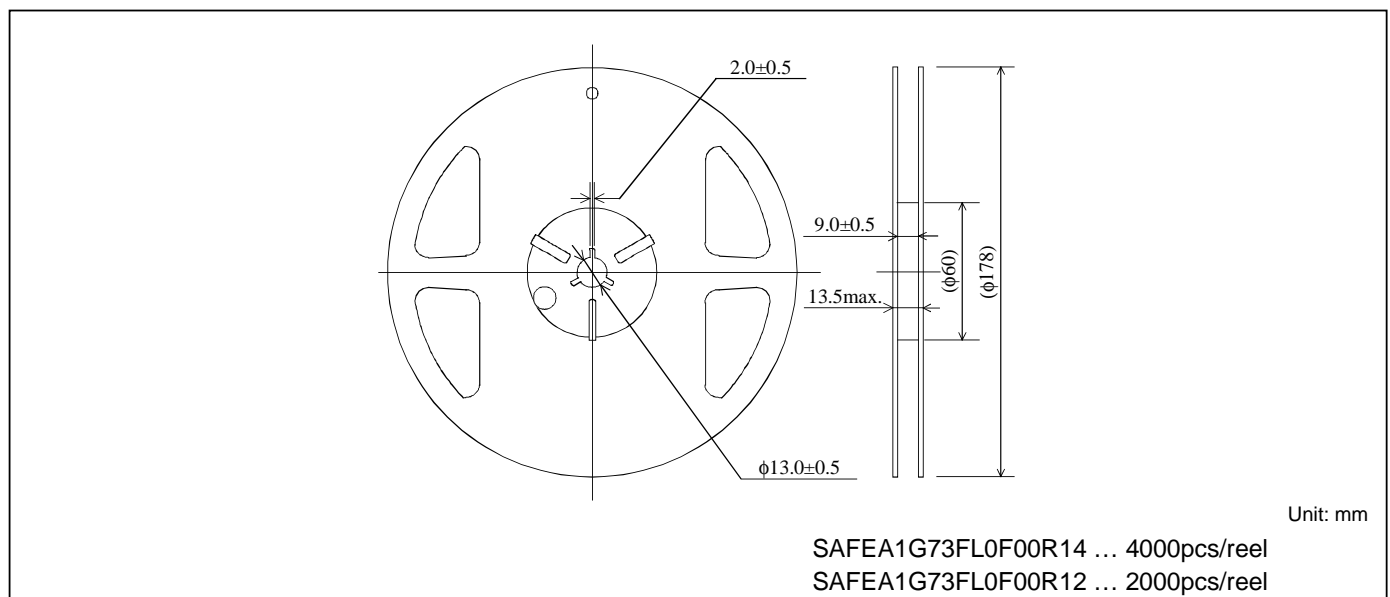
■ Dimensions of Carrier Tape



■ Dimensions of Tape



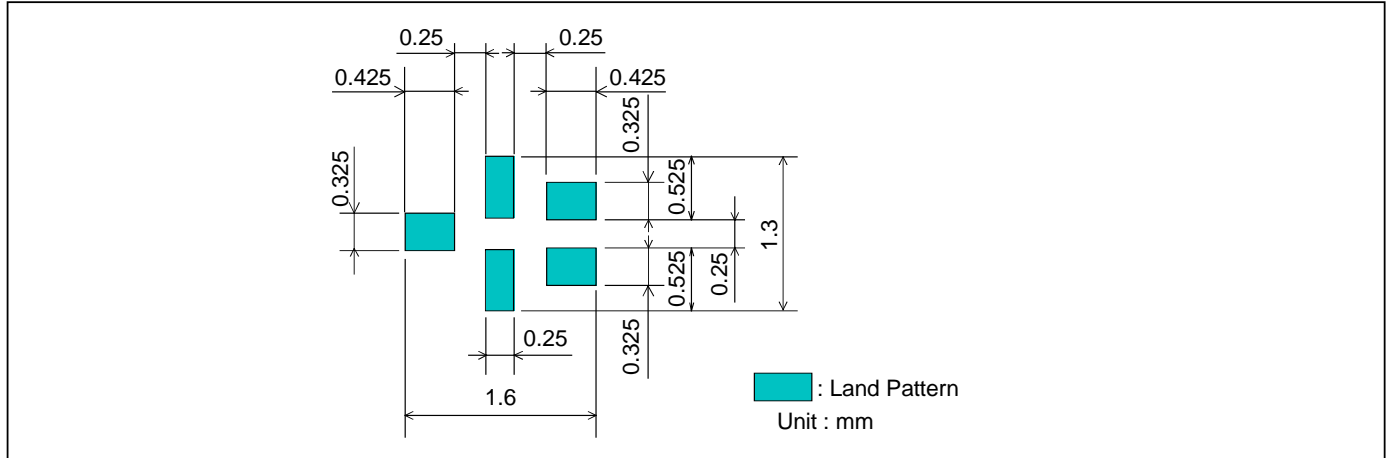
■ Dimensions of Reel



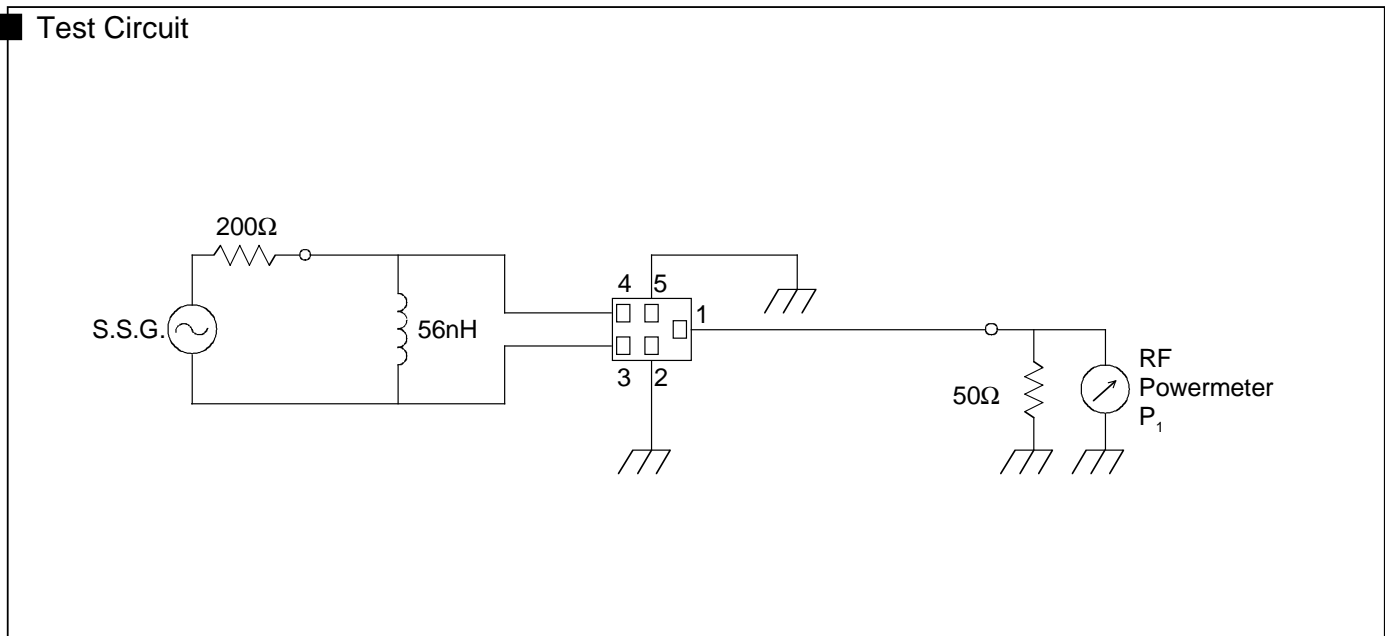
SAW FILTER FOR UMTS BC4 Tx

Murata part number : SAFEA1G73FL0F00

Recommended Land Pattern



Test Circuit



- This PDF Datasheet is downloaded from the website of Murata Manufacturing Co., Ltd. Therefore, it's specifications are subject to change or our products in it may be discontinued without advance notice. Please check with our sales representatives or product engineers before ordering.
- This PDF Datasheet has only typical specifications because there is no space for detailed specifications. Therefore, please approve our product specifications or transact the approval sheet for product specifications before ordering.