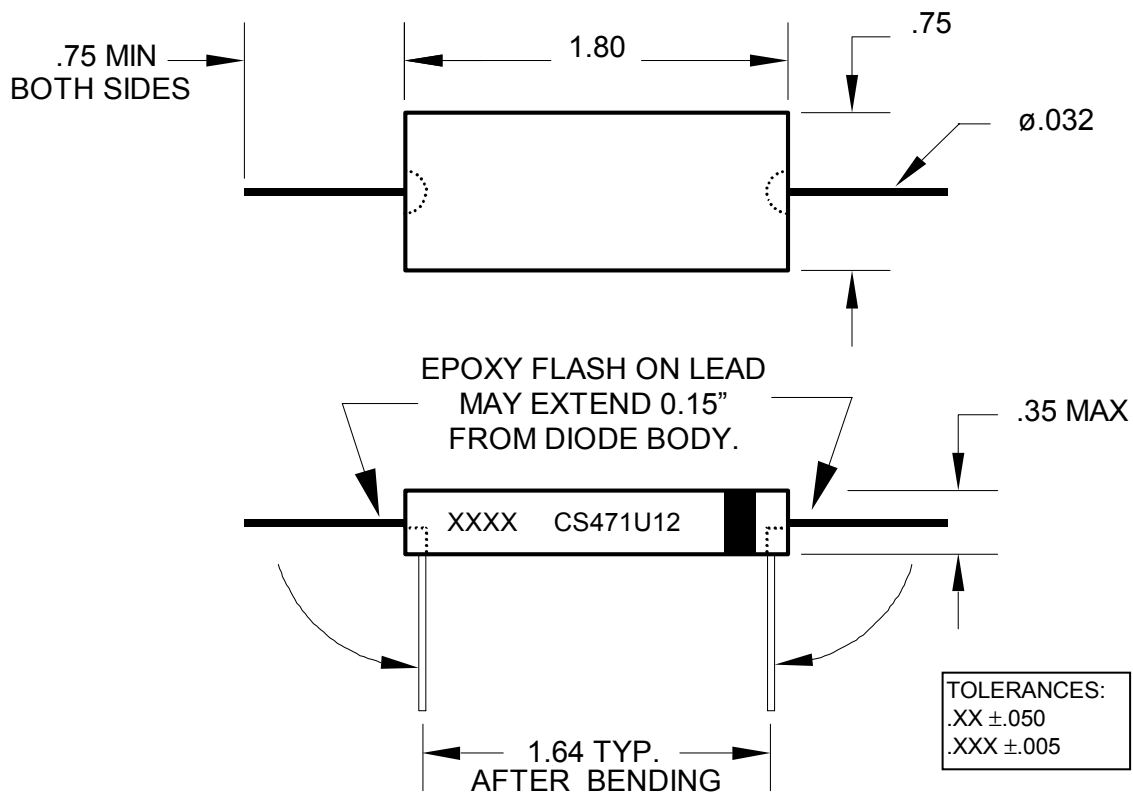


CS471U Series

10 - 15 KV, 75nS RECTIFIER

Electrical Characteristics at 25°C in oil unless otherwise specified

Characteristics	Symb.	CS471U10	CS471U12	CS471U15	UNITS
Peak Reverse Voltage	V_{RRM}	10	12	15	KV
Avg. Forward Current @ $T_{oil} = 60^{\circ}C$	I_o	700	600	450	mA
Max. Reverse Recovery Time	t_{rr}	75			nS
Max. Reverse Current @ V_{RRM}	I_R	2			μA
Peak Surge Current, 1/2 Cycle @ 60 Hz	I_{fsm}	30 A			A
Peak Avalanche Energy, $T = 20\mu sec$	E_{rsm}	100	120	150	mJ
Maximum Forward Voltage Drop @ 1.0 A	V_F	25	30	37.5	V
Storage Temperature	T_{stg}	-40 to 130			$^{\circ}C$



Encapsulated in UL Listed Epoxy (94V-0)

Rev 0, 9/98