

### 16M-WORD BY 64-BIT SYNCHRONOUS DYNAMIC RAM MODULE UNBUFFERED TYPE

#### Description

The MC-4516CB646 is a 16,777,216 words by 64 bits synchronous dynamic RAM module on which 8 pieces of 128M SDRAM:  $\mu$ PD45128841 are assembled.

This module provides high density and large quantities of memory in a small space without utilizing the surface-mounting technology on the printed circuit board.

Decoupling capacitors are mounted on power supply line for noise reduction.

#### Features

- 16,777,216 words by 64 bits organization
- Clock frequency and access time from CLK

| Part number          | /CAS latency | Clock frequency<br>(MAX.) | Access time from CLK<br>(MAX.) |
|----------------------|--------------|---------------------------|--------------------------------|
| MC-4516CB646EF-A80   | CL = 3       | 125 MHz                   | 6 ns                           |
|                      | CL = 2       | 100 MHz                   | 6 ns                           |
| MC-4516CB646EF-A10   | CL = 3       | 100 MHz                   | 6 ns                           |
|                      | CL = 2       | 77 MHz                    | 7 ns                           |
| ★ MC-4516CB646PF-A80 | CL = 3       | 125 MHz                   | 6 ns                           |
|                      | CL = 2       | 100 MHz                   | 6 ns                           |
| ★ MC-4516CB646PF-A10 | CL = 3       | 100 MHz                   | 6 ns                           |
|                      | CL = 2       | 77 MHz                    | 7 ns                           |

- Fully Synchronous Dynamic RAM, with all signals referenced to a positive clock edge
- Pulsed interface
- Possible to assert random column address in every cycle
- Quad internal banks controlled by BA0 and BA1 (Bank Select)
- Programmable burst-length (1, 2, 4, 8 and full page)
- Programmable wrap sequence (sequential / interleave)
- Programmable /CAS latency (2, 3)
- Automatic precharge and controlled precharge
- CBR (Auto) refresh and self refresh
- All DQs have  $10\ \Omega \pm 10\%$  of series resistor
- Single  $3.3\ V \pm 0.3\ V$  power supply
- LVTTTL compatible
- 4,096 refresh cycles/64 ms
- Burst termination by Burst Stop command and Precharge command
- 168-pin dual in-line memory module (Pin pitch = 1.27 mm)
- Unbuffered type
- Serial PD

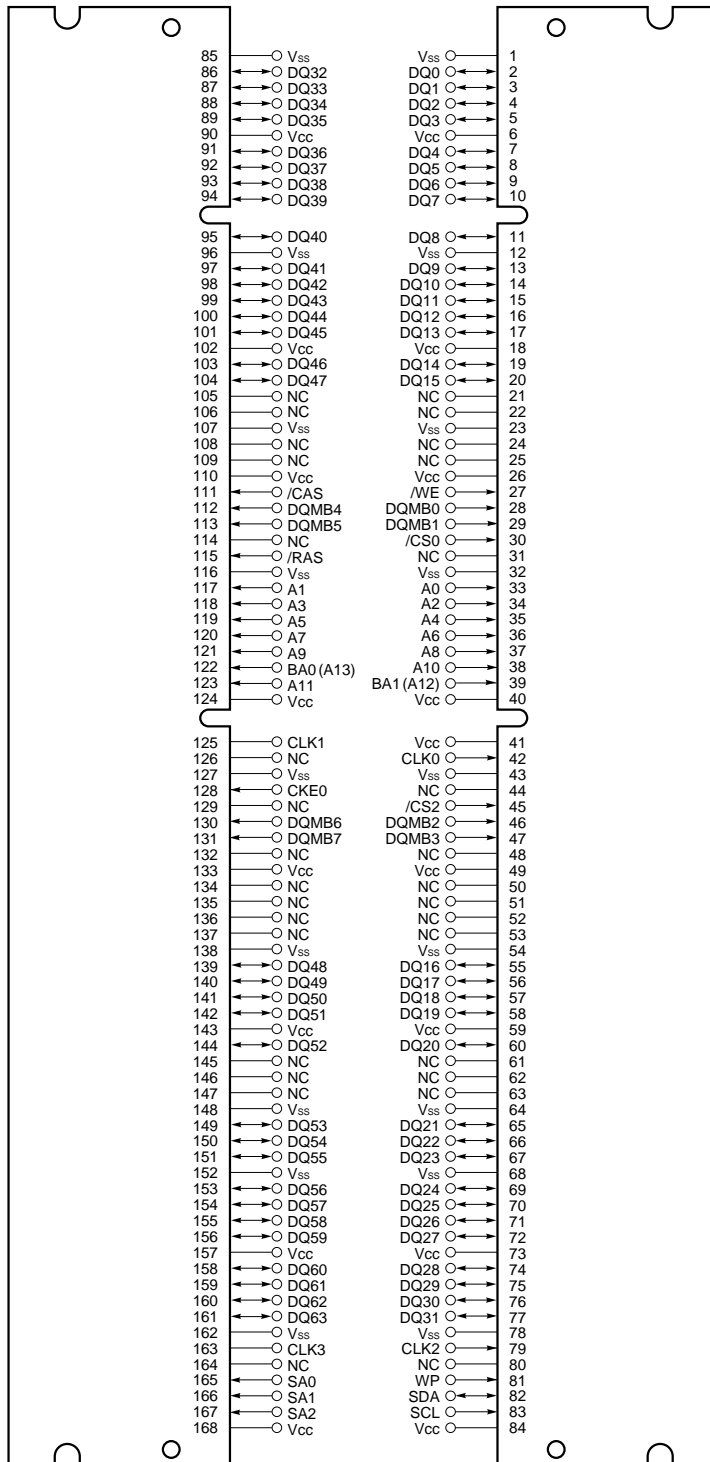
The information in this document is subject to change without notice. Before using this document, please confirm that this is the latest version.  
Not all devices/types available in every country. Please check with local NEC representative for availability and additional information.

**Ordering Information**

| Part number          | Clock frequency<br>MHz (MAX.) | Package                                             | Mounted devices                                                       |
|----------------------|-------------------------------|-----------------------------------------------------|-----------------------------------------------------------------------|
| MC-4516CB646EF-A80   | 125 MHz                       | 168-pin Dual In-line Memory Module<br>(Socket Type) | 8 pieces of $\mu$ PD45128841G5 (Rev. E)<br>(10.16 mm (400) TSOP (II)) |
| MC-4516CB646EF-A10   | 100 MHz                       |                                                     |                                                                       |
| ★ MC-4516CB646PF-A80 | 125 MHz                       | Edge connector : Gold plated                        | 8 pieces of $\mu$ PD45128841G5 (Rev. P)<br>(10.16 mm (400) TSOP (II)) |
| ★ MC-4516CB646PF-A10 | 100 MHz                       | 34.93 mm height                                     |                                                                       |

★ Pin Configuration

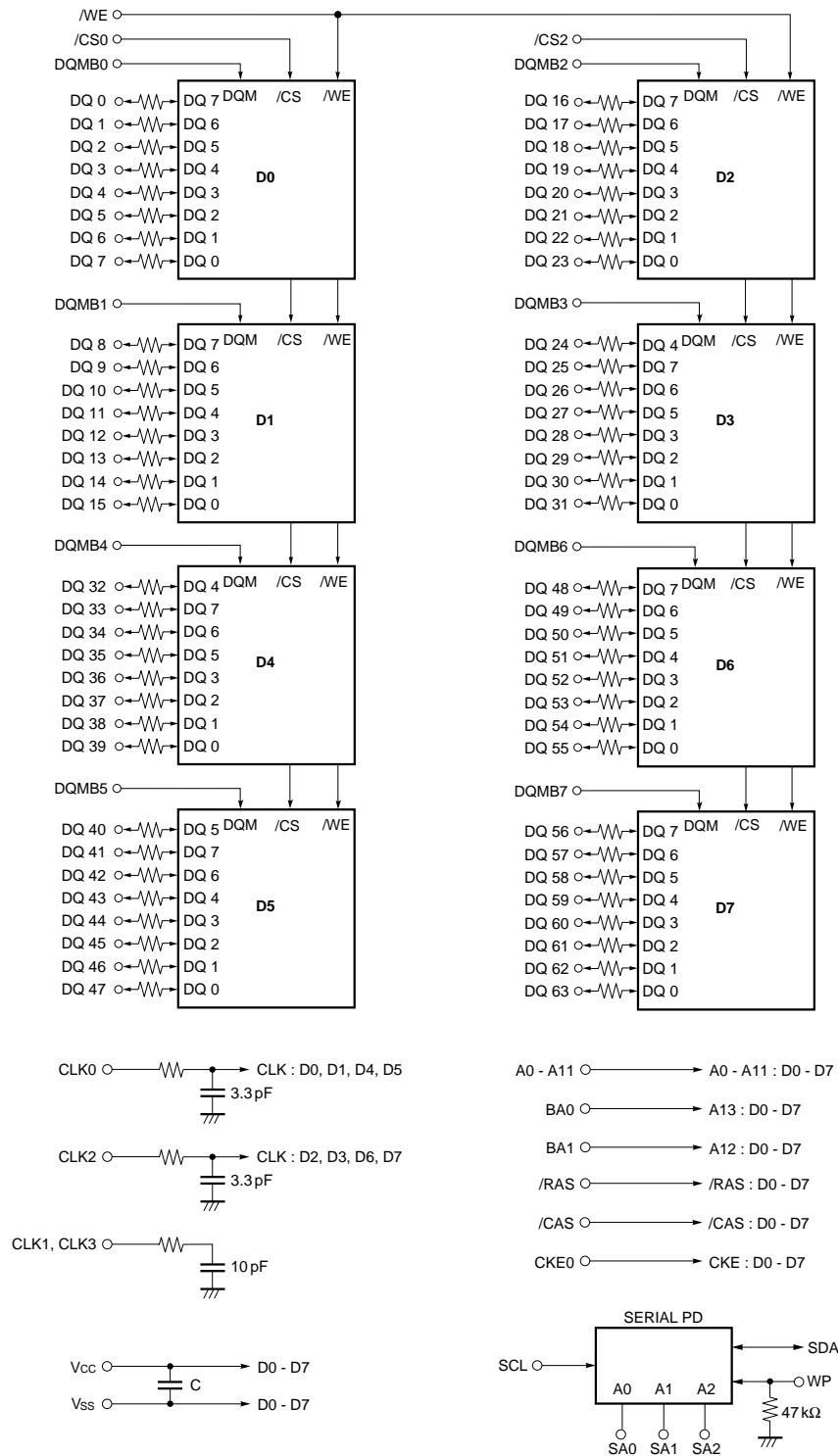
168-pin Dual In-line Memory Module Socket Type (Edge connector: Gold plated)



/xxx indicates active low signal.

- A0 - A11 : Address Inputs  
[Row: A0 - A11, Column: A0 - A9]
- BA0 (A13), BA1 (A12) : SDRAM Bank Select
- DQ0 - DQ63 : Data Inputs/Outputs
- CLK0 - CLK3 : Clock Input
- CKE0 : Clock Enable Input
- /CS0, /CS2 : Chip Select Input
- /RAS : Row Address Strobe
- /CAS : Column Address Strobe
- /WE : Write Enable
- DQMB0 - DQMB7 : DQ Mask Enable
- SA0 - SA2 : Address Input for EEPROM
- SDA : Serial Data I/O for PD
- SCL : Clock Input for PD
- Vcc : Power Supply
- Vss : Ground
- WP : Write Protect
- NC : No Connection

Block Diagram



- Remarks 1. The value of all resistors is 10 Ω except WP.
- 2. D0 - D7: μPD45128841 (4M words × 8 bits × 4 banks)

**Electrical Specifications**

- All voltages are referenced to V<sub>SS</sub> (GND).
- After power up, wait more than 100  $\mu$ s and then, execute power on sequence and CBR (Auto) refresh before proper device operation is achieved.

**Absolute Maximum Ratings**

| Parameter                                   | Symbol           | Condition | Rating       | Unit |
|---------------------------------------------|------------------|-----------|--------------|------|
| Voltage on power supply pin relative to GND | V <sub>CC</sub>  |           | -0.5 to +4.6 | V    |
| Voltage on input pin relative to GND        | V <sub>I</sub>   |           | -0.5 to +4.6 | V    |
| Short circuit output current                | I <sub>O</sub>   |           | 50           | mA   |
| Power dissipation                           | P <sub>D</sub>   |           | 8            | W    |
| Operating ambient temperature               | T <sub>A</sub>   |           | 0 to +70     | °C   |
| Storage temperature                         | T <sub>stg</sub> |           | -55 to +125  | °C   |

**Caution** Exposing the device to stress above those listed in Absolute Maximum Ratings could cause permanent damage. The device is not meant to be operated under conditions outside the limits described in the operational section of this specification. Exposure to Absolute Maximum Rating conditions for extended periods may affect device reliability.

**Recommended Operating Conditions**

| Parameter                     | Symbol          | Condition | MIN. | TYP. | MAX.                  | Unit |
|-------------------------------|-----------------|-----------|------|------|-----------------------|------|
| Supply voltage                | V <sub>CC</sub> |           | 3.0  | 3.3  | 3.6                   | V    |
| High level input voltage      | V <sub>IH</sub> |           | 2.0  |      | V <sub>CC</sub> + 0.3 | V    |
| Low level input voltage       | V <sub>IL</sub> |           | -0.3 |      | +0.8                  | V    |
| Operating ambient temperature | T <sub>A</sub>  |           | 0    |      | 70                    | °C   |

**Capacitance (T<sub>A</sub> = 25 °C, f = 1 MHz)**

| Parameter                     | Symbol           | Test condition                                | MIN. | TYP. | MAX. | Unit |
|-------------------------------|------------------|-----------------------------------------------|------|------|------|------|
| Input capacitance             | C <sub>I1</sub>  | A0 - A11, BA0(A13), BA1(A12), /RAS, /CAS, /WE | 38   |      | 62   | pF   |
|                               | C <sub>I2</sub>  | CLK0, CLK2                                    | 24   |      | 40   |      |
|                               | C <sub>I3</sub>  | CKE0                                          | 32   |      | 52   |      |
|                               | C <sub>I4</sub>  | /CS0, /CS2                                    | 17   |      | 29   |      |
|                               | C <sub>I5</sub>  | DQMB0 - DQMB7                                 | 7    |      | 13   |      |
| Data input/output capacitance | C <sub>I/O</sub> | DQ0 - DQ63                                    | 7    |      | 13   | pF   |

DC Characteristics (Recommended Operating Conditions Unless Otherwise Noted)

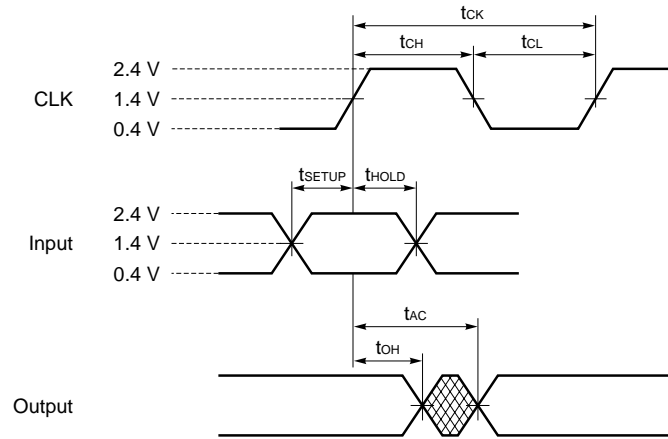
| Parameter                                        | Symbol             | Test condition                                                                                                                           | Grade            | MIN. | MAX.  | Unit | Notes |
|--------------------------------------------------|--------------------|------------------------------------------------------------------------------------------------------------------------------------------|------------------|------|-------|------|-------|
| Operating current                                | I <sub>CC1</sub>   | Burst length = 1<br>t <sub>RC</sub> ≥ t <sub>RC(MIN.)</sub> , I <sub>O</sub> = 0 mA                                                      | /CAS latency = 2 | -A80 | 800   | mA   | 1     |
|                                                  |                    |                                                                                                                                          |                  | -A10 | 800   |      |       |
|                                                  |                    |                                                                                                                                          | /CAS latency = 3 | -A80 | 800   |      |       |
|                                                  |                    |                                                                                                                                          |                  | -A10 | 800   |      |       |
| Precharge standby current in power down mode     | I <sub>CC2P</sub>  | CKE ≤ V <sub>IL(MAX.)</sub> , t <sub>CK</sub> = 15 ns                                                                                    |                  |      | 8     | mA   |       |
|                                                  | I <sub>CC2PS</sub> | CKE ≤ V <sub>IL(MAX.)</sub> , t <sub>CK</sub> = ∞                                                                                        |                  |      | 8     |      |       |
| Precharge standby current in non power down mode | I <sub>CC2N</sub>  | CKE ≥ V <sub>IH(MIN.)</sub> , t <sub>CK</sub> = 15 ns, /CS ≥ V <sub>IH(MIN.)</sub> ,<br>Input signals are changed one time during 30 ns. |                  |      | 160   | mA   |       |
|                                                  | I <sub>CC2NS</sub> | CKE ≥ V <sub>IH(MIN.)</sub> , t <sub>CK</sub> = ∞<br>Input signals are stable.                                                           |                  |      | 64    |      |       |
| Active standby current in power down mode        | I <sub>CC3P</sub>  | CKE ≤ V <sub>IL(MAX.)</sub> , t <sub>CK</sub> = 15 ns                                                                                    |                  |      | 40    | mA   |       |
|                                                  | I <sub>CC3PS</sub> | CKE ≤ V <sub>IL(MAX.)</sub> , t <sub>CK</sub> = ∞                                                                                        |                  |      | 32    |      |       |
| Active standby current in non power down mode    | I <sub>CC3N</sub>  | CKE ≥ V <sub>IH(MIN.)</sub> , t <sub>CK</sub> = 15 ns, /CS ≥ V <sub>IH(MIN.)</sub> ,<br>Input signals are changed one time during 30 ns. |                  |      | 240   | mA   |       |
|                                                  | I <sub>CC3NS</sub> | CKE ≥ V <sub>IH(MIN.)</sub> , t <sub>CK</sub> = ∞<br>Input signals are stable.                                                           |                  |      | 160   |      |       |
| Operating current (Burst mode)                   | I <sub>CC4</sub>   | t <sub>CK</sub> ≥ t <sub>CK(MIN.)</sub><br>I <sub>O</sub> = 0 mA                                                                         | /CAS latency = 2 | -A80 | 960   | mA   | 2     |
|                                                  |                    |                                                                                                                                          |                  | -A10 | 760   |      |       |
|                                                  |                    |                                                                                                                                          | /CAS latency = 3 | -A80 | 1,160 |      |       |
|                                                  |                    |                                                                                                                                          |                  | -A10 | 1,000 |      |       |
| CBR (Auto) refresh current                       | I <sub>CC5</sub>   | t <sub>RC</sub> ≥ t <sub>RC(MIN.)</sub>                                                                                                  | /CAS latency = 2 | -A80 | 1,840 | mA   | 3     |
|                                                  |                    |                                                                                                                                          |                  | -A10 | 1,840 |      |       |
|                                                  |                    |                                                                                                                                          | /CAS latency = 3 | -A80 | 1,840 |      |       |
|                                                  |                    |                                                                                                                                          |                  | -A10 | 1,840 |      |       |
| Self refresh current                             | I <sub>CC6</sub>   | CKE ≤ 0.2 V                                                                                                                              |                  |      | 16    | mA   |       |
| Input leakage current                            | I <sub>I(L)</sub>  | V <sub>I</sub> = 0 to 3.6 V, All other pins not under test = 0 V                                                                         |                  | -8   | +8    | μA   |       |
| Output leakage current                           | I <sub>O(L)</sub>  | D <sub>OUT</sub> is disabled, V <sub>O</sub> = 0 to 3.6 V                                                                                |                  | -1.5 | +1.5  | μA   |       |
| High level output voltage                        | V <sub>OH</sub>    | I <sub>O</sub> = -4.0 mA                                                                                                                 |                  | 2.4  |       | V    |       |
| Low level output voltage                         | V <sub>OL</sub>    | I <sub>O</sub> = +4.0 mA                                                                                                                 |                  |      | 0.4   | V    |       |

- ★
- ★
- ★
- Notes**
- I<sub>CC1</sub> depends on output loading and cycle rates. Specified values are obtained with the output open. In addition to this, I<sub>CC1</sub> is measured on condition that addresses are changed only one time during t<sub>CK(MIN.)</sub>.
  - I<sub>CC4</sub> depends on output loading and cycle rates. Specified values are obtained with the output open. In addition to this, I<sub>CC4</sub> is measured on condition that addresses are changed only one time during t<sub>CK(MIN.)</sub>.
  - I<sub>CC5</sub> is measured on condition that addresses are changed only one time during t<sub>CK(MIN.)</sub>.

AC Characteristics (Recommended Operating Conditions Unless Otherwise Noted)

★ Test Conditions

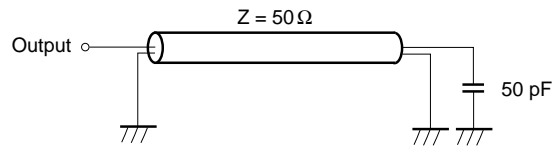
| Parameter                                             | Value     | Unit | Notes |
|-------------------------------------------------------|-----------|------|-------|
| AC high level input voltage / low level input voltage | 2.4 / 0.4 | V    |       |
| Input timing measurement reference level              | 1.4       | V    |       |
| Transition time (Input rise and fall time)            | 1         | ns   |       |
| Output timing measurement reference level             | 1.4       | V    |       |



Synchronous Characteristics

| Parameter                                                       |                  | Symbol            | -A80 |          | -A10 |          | Unit | Note |
|-----------------------------------------------------------------|------------------|-------------------|------|----------|------|----------|------|------|
|                                                                 |                  |                   | MIN. | MAX.     | MIN. | MAX.     |      |      |
| Clock cycle time                                                | /CAS latency = 3 | t <sub>CK3</sub>  | 8    | (125MHz) | 10   | (100MHz) | ns   |      |
|                                                                 | /CAS latency = 2 | t <sub>CK2</sub>  | 10   | (100MHz) | 13   | (77MHz)  | ns   |      |
| Access time from CLK                                            | /CAS latency = 3 | t <sub>AC3</sub>  |      | 6        |      | 6        | ns   | 1    |
|                                                                 | /CAS latency = 2 | t <sub>AC2</sub>  |      | 6        |      | 7        | ns   | 1    |
| CLK high level width                                            |                  | t <sub>CH</sub>   | 3    |          | 3    |          | ns   |      |
| CLK low level width                                             |                  | t <sub>CL</sub>   | 3    |          | 3    |          | ns   |      |
| Data-out hold time                                              |                  | t <sub>OH</sub>   | 3    |          | 3    |          | ns   | 1    |
| Data-out low-impedance time                                     |                  | t <sub>LZ</sub>   | 0    |          | 0    |          | ns   |      |
| Data-out high-impedance time                                    | /CAS latency = 3 | t <sub>HZ3</sub>  | 3    | 6        | 3    | 6        | ns   |      |
|                                                                 | /CAS latency = 2 | t <sub>HZ2</sub>  | 3    | 6        | 3    | 7        | ns   |      |
| Data-in setup time                                              |                  | t <sub>DS</sub>   | 2    |          | 2    |          | ns   |      |
| Data-in hold time                                               |                  | t <sub>DH</sub>   | 1    |          | 1    |          | ns   |      |
| Address setup time                                              |                  | t <sub>AS</sub>   | 2    |          | 2    |          | ns   |      |
| Address hold time                                               |                  | t <sub>AH</sub>   | 1    |          | 1    |          | ns   |      |
| CKE setup time                                                  |                  | t <sub>CKS</sub>  | 2    |          | 2    |          | ns   |      |
| CKE hold time                                                   |                  | t <sub>CKH</sub>  | 1    |          | 1    |          | ns   |      |
| CKE setup time (Power down exit)                                |                  | t <sub>CKSP</sub> | 2    |          | 2    |          | ns   |      |
| Command (/CS0, /CS2, /RAS, /CAS, /WE, DQMB0 - DQMB7) setup time |                  | t <sub>CMS</sub>  | 2    |          | 2    |          | ns   |      |
| Command (/CS0, /CS2, /RAS, /CAS, /WE, DQMB0 - DQMB7) hold time  |                  | t <sub>CMH</sub>  | 1    |          | 1    |          | ns   |      |

Note 1. Output load



Remark These specifications are applied to the monolithic device.



**Asynchronous Characteristics**

| Parameter                                           | Symbol           | -A 80             |         | -A 10   |         | Unit | Note |
|-----------------------------------------------------|------------------|-------------------|---------|---------|---------|------|------|
|                                                     |                  | MIN.              | MAX.    | MIN.    | MAX.    |      |      |
| ACT to REF/ACT command period (Operation)           | t <sub>RC</sub>  | 70                |         | 70      |         | ns   |      |
| REF to REF/ACT command period (Refresh)             | t <sub>RC1</sub> | 70                |         | 78      |         | ns   |      |
| ACT to PRE command period                           | t <sub>RAS</sub> | 48                | 120,000 | 50      | 120,000 | ns   |      |
| PRE to ACT command period                           | t <sub>RP</sub>  | 20                |         | 20      |         | ns   |      |
| Delay time ACT to READ/WRITE command                | t <sub>RCD</sub> | 20                |         | 20      |         | ns   |      |
| ACT(one) to ACT(another) command period             | t <sub>RRD</sub> | 16                |         | 20      |         | ns   |      |
| Data-in to PRE command period                       | t <sub>DPL</sub> | 8                 |         | 10      |         | ns   |      |
| Data-in to ACT(REF) command period (Auto precharge) | /CAS latency = 3 | t <sub>DAL3</sub> | 1CLK+20 | 1CLK+20 |         | ns   |      |
|                                                     | /CAS latency = 2 | t <sub>DAL2</sub> | 1CLK+20 | 1CLK+20 |         | ns   |      |
| Mode register set cycle time                        | t <sub>RSC</sub> | 2                 |         | 2       |         | CLK  |      |
| Transition time                                     | t <sub>T</sub>   | 0.5               | 30      | 1       | 30      | ns   |      |
| Refresh time (4,096 refresh cycles)                 | t <sub>REF</sub> |                   | 64      |         | 64      | ms   |      |

Serial PD

(1/2)

| Byte No. | Function Described                                        | Hex  | Bit 7 | Bit 6 | Bit 5 | Bit 4 | Bit 3 | Bit 2 | Bit 1 | Bit 0 | Notes         |       |
|----------|-----------------------------------------------------------|------|-------|-------|-------|-------|-------|-------|-------|-------|---------------|-------|
| 0        | Defines the number of bytes written into serial PD memory | 80H  | 1     | 0     | 0     | 0     | 0     | 0     | 0     | 0     | 128 bytes     |       |
| 1        | Total number of bytes of serial PD memory                 | 08H  | 0     | 0     | 0     | 0     | 1     | 0     | 0     | 0     | 256 bytes     |       |
| 2        | Fundamental memory type                                   | 04H  | 0     | 0     | 0     | 0     | 0     | 1     | 0     | 0     | SDRAM         |       |
| 3        | Number of rows                                            | 0CH  | 0     | 0     | 0     | 0     | 1     | 1     | 0     | 0     | 12 rows       |       |
| 4        | Number of columns                                         | 0AH  | 0     | 0     | 0     | 0     | 1     | 0     | 1     | 0     | 10 columns    |       |
| 5        | Number of banks                                           | 01H  | 0     | 0     | 0     | 0     | 0     | 0     | 0     | 1     | 1 bank        |       |
| 6        | Data width                                                | 40H  | 0     | 1     | 0     | 0     | 0     | 0     | 0     | 0     | 64 bits       |       |
| 7        | Data width (continued)                                    | 00H  | 0     | 0     | 0     | 0     | 0     | 0     | 0     | 0     | 0             |       |
| 8        | Voltage interface                                         | 01H  | 0     | 0     | 0     | 0     | 0     | 0     | 0     | 1     | LVTTTL        |       |
| 9        | CL = 3 Cycle time                                         | -A80 | 80H   | 1     | 0     | 0     | 0     | 0     | 0     | 0     | 0             | 8 ns  |
|          |                                                           | -A10 | A0H   | 1     | 0     | 1     | 0     | 0     | 0     | 0     | 0             | 10 ns |
| 10       | CL = 3 Access time                                        | -A80 | 60H   | 0     | 1     | 1     | 0     | 0     | 0     | 0     | 0             | 6 ns  |
|          |                                                           | -A10 | 60H   | 0     | 1     | 1     | 0     | 0     | 0     | 0     | 0             | 6 ns  |
| 11       | DIMM configuration type                                   | 00H  | 0     | 0     | 0     | 0     | 0     | 0     | 0     | 0     | Non-parity    |       |
| 12       | Refresh rate/type                                         | 80H  | 1     | 0     | 0     | 0     | 0     | 0     | 0     | 0     | Normal        |       |
| 13       | SDRAM width                                               | 08H  | 0     | 0     | 0     | 0     | 1     | 0     | 0     | 0     | ×8            |       |
| 14       | Error checking SDRAM width                                | 00H  | 0     | 0     | 0     | 0     | 0     | 0     | 0     | 0     | None          |       |
| 15       | Minimum clock delay                                       | 01H  | 0     | 0     | 0     | 0     | 0     | 0     | 0     | 1     | 1 clock       |       |
| 16       | Burst length supported                                    | 8FH  | 1     | 0     | 0     | 0     | 1     | 1     | 1     | 1     | 1, 2, 4, 8, F |       |
| 17       | Number of banks on each SDRAM                             | 04H  | 0     | 0     | 0     | 0     | 0     | 1     | 0     | 0     | 4 banks       |       |
| 18       | /CAS latency supported                                    | 06H  | 0     | 0     | 0     | 0     | 0     | 1     | 1     | 0     | 2, 3          |       |
| 19       | /CS latency supported                                     | 01H  | 0     | 0     | 0     | 0     | 0     | 0     | 0     | 1     | 0             |       |
| 20       | /WE latency supported                                     | 01H  | 0     | 0     | 0     | 0     | 0     | 0     | 0     | 1     | 0             |       |
| 21       | SDRAM module attributes                                   | 00H  | 0     | 0     | 0     | 0     | 0     | 0     | 0     | 0     |               |       |
| 22       | SDRAM device attributes : General                         | 0EH  | 0     | 0     | 0     | 0     | 1     | 1     | 1     | 0     |               |       |
| 23       | CL = 2 Cycle time                                         | -A80 | A0H   | 1     | 0     | 1     | 0     | 0     | 0     | 0     | 0             | 10 ns |
|          |                                                           | -A10 | D0H   | 1     | 1     | 0     | 1     | 0     | 0     | 0     | 0             | 13 ns |
| 24       | CL = 2 Access time                                        | -A80 | 60H   | 0     | 1     | 1     | 0     | 0     | 0     | 0     | 0             | 6 ns  |
|          |                                                           | -A10 | 70H   | 0     | 1     | 1     | 1     | 0     | 0     | 0     | 0             | 7 ns  |
| 25-26    |                                                           | 00H  | 0     | 0     | 0     | 0     | 0     | 0     | 0     | 0     |               |       |
| 27       | t <sub>RP</sub> (MIN.)                                    | -A80 | 14H   | 0     | 0     | 0     | 1     | 0     | 1     | 0     | 0             | 20 ns |
|          |                                                           | -A10 | 14H   | 0     | 0     | 0     | 1     | 0     | 1     | 0     | 0             | 20 ns |
| 28       | t <sub>RRD</sub> (MIN.)                                   | -A80 | 10H   | 0     | 0     | 0     | 1     | 0     | 0     | 0     | 0             | 16 ns |
|          |                                                           | -A10 | 14H   | 0     | 0     | 0     | 1     | 0     | 1     | 0     | 0             | 20 ns |
| 29       | t <sub>RCD</sub> (MIN.)                                   | -A80 | 14H   | 0     | 0     | 0     | 1     | 0     | 1     | 0     | 0             | 20 ns |
|          |                                                           | -A10 | 14H   | 0     | 0     | 0     | 1     | 0     | 1     | 0     | 0             | 20 ns |
| 30       | t <sub>RAS</sub> (MIN.)                                   | -A80 | 30H   | 0     | 0     | 1     | 1     | 0     | 0     | 0     | 0             | 48 ns |
|          |                                                           | -A10 | 32H   | 0     | 0     | 1     | 1     | 0     | 0     | 1     | 0             | 50 ns |
| 31       | Module bank density                                       | 20H  | 0     | 0     | 1     | 0     | 0     | 0     | 0     | 0     | 128M bytes    |       |

(2/2)

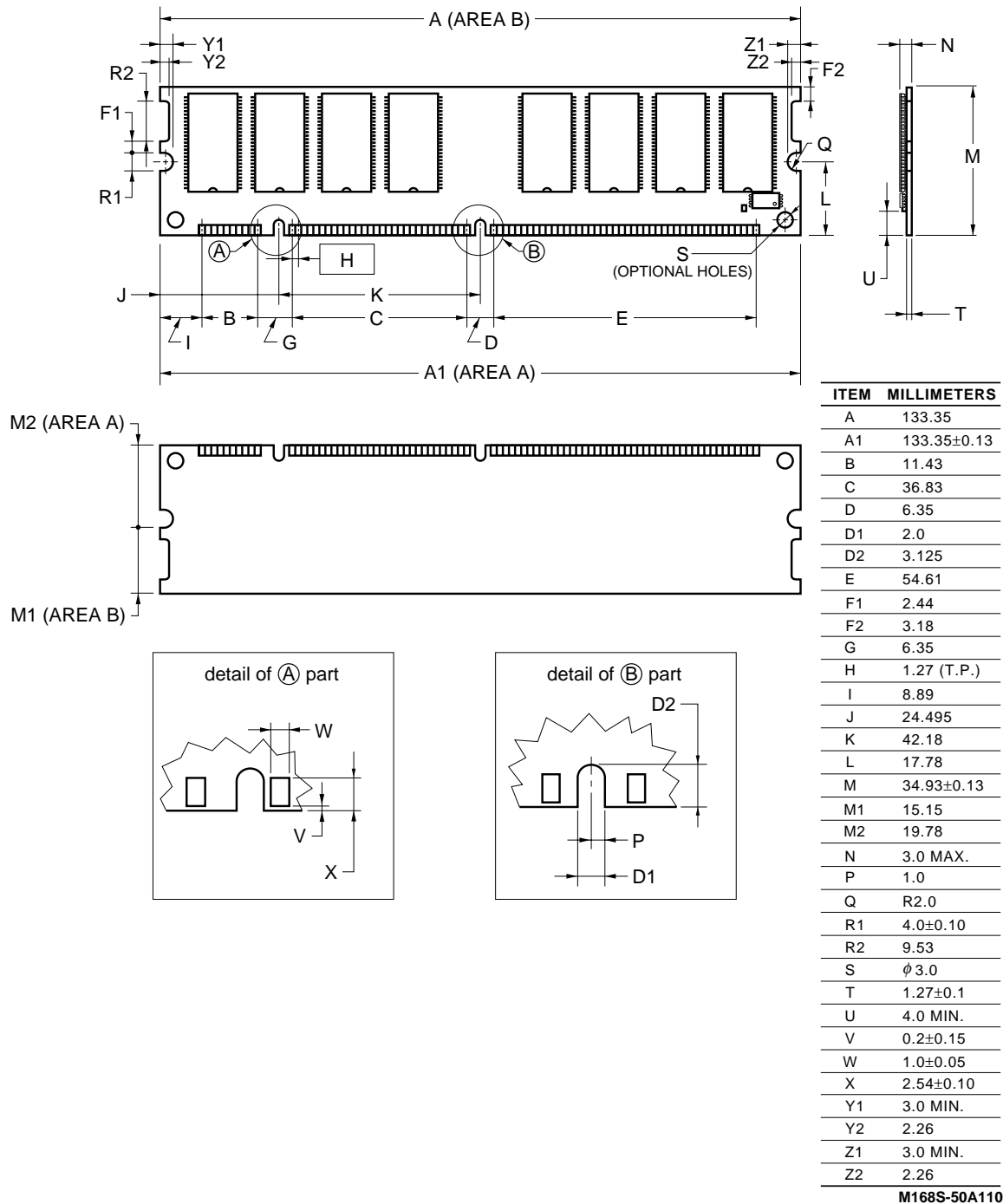
| Byte No. | Function Described                          | Hex  | Bit 7 | Bit 6 | Bit 5 | Bit 4 | Bit 3 | Bit 2 | Bit 1 | Bit 0 | Notes   |
|----------|---------------------------------------------|------|-------|-------|-------|-------|-------|-------|-------|-------|---------|
| 32       | Command and address signal input setup time | 20H  | 0     | 0     | 1     | 0     | 0     | 0     | 0     | 0     | 2 ns    |
| 33       | Command and address signal input hold time  | 10H  | 0     | 0     | 0     | 1     | 0     | 0     | 0     | 0     | 1 ns    |
| 34       | Data signal input setup time                | 20H  | 0     | 0     | 1     | 0     | 0     | 0     | 0     | 0     | 2 ns    |
| 35       | Data signal input hold time                 | 10H  | 0     | 0     | 0     | 1     | 0     | 0     | 0     | 0     | 1 ns    |
| 36-61    |                                             | 00H  | 0     | 0     | 0     | 0     | 0     | 0     | 0     | 0     |         |
| 62       | SPD revision                                | 12H  | 0     | 0     | 0     | 1     | 0     | 0     | 1     | 0     | 1.2     |
| 63       | Checksum for bytes 0 - 62                   | -A80 | F0H   | 1     | 1     | 1     | 1     | 0     | 0     | 0     | 0       |
|          |                                             | -A10 | 56H   | 0     | 1     | 0     | 1     | 0     | 1     | 1     | 0       |
| 64-71    | Manufacture's JEDEC ID code                 |      |       |       |       |       |       |       |       |       |         |
| 72       | Manufacturing location                      |      |       |       |       |       |       |       |       |       |         |
| 73-90    | Manufacture's P/N                           |      |       |       |       |       |       |       |       |       |         |
| 91-92    | Revision code                               |      |       |       |       |       |       |       |       |       |         |
| 93-94    | Manufacturing date                          |      |       |       |       |       |       |       |       |       |         |
| 95-98    | Assembly serial number                      |      |       |       |       |       |       |       |       |       |         |
| 99-125   | Mfg specific                                |      |       |       |       |       |       |       |       |       |         |
| 126      | Intel specification frequency               | 64H  | 0     | 1     | 1     | 0     | 0     | 1     | 0     | 0     | 100 MHz |
| 127      | Intel specification /CAS latency support    | -A80 | A7H   | 1     | 0     | 1     | 0     | 0     | 1     | 1     | 1       |
|          |                                             | -A10 | A5H   | 1     | 0     | 1     | 0     | 0     | 1     | 0     | 1       |

**Timing Chart**

Refer to the **SYNCHRONOUS DRAM MODULE TIMING CHART Information (M13348E)**.

★ Package Drawing

168-PIN DUAL IN-LINE MODULE (SOCKET TYPE)



[MEMO]

[MEMO]

**NOTES FOR CMOS DEVICES****① PRECAUTION AGAINST ESD FOR SEMICONDUCTORS**

Note:

Strong electric field, when exposed to a MOS device, can cause destruction of the gate oxide and ultimately degrade the device operation. Steps must be taken to stop generation of static electricity as much as possible, and quickly dissipate it once, when it has occurred. Environmental control must be adequate. When it is dry, humidifier should be used. It is recommended to avoid using insulators that easily build static electricity. Semiconductor devices must be stored and transported in an anti-static container, static shielding bag or conductive material. All test and measurement tools including work bench and floor should be grounded. The operator should be grounded using wrist strap. Semiconductor devices must not be touched with bare hands. Similar precautions need to be taken for PW boards with semiconductor devices on it.

**② HANDLING OF UNUSED INPUT PINS FOR CMOS**

Note:

No connection for CMOS device inputs can be cause of malfunction. If no connection is provided to the input pins, it is possible that an internal input level may be generated due to noise, etc., hence causing malfunction. CMOS devices behave differently than Bipolar or NMOS devices. Input levels of CMOS devices must be fixed high or low by using a pull-up or pull-down circuitry. Each unused pin should be connected to  $V_{DD}$  or GND with a resistor, if it is considered to have a possibility of being an output pin. All handling related to the unused pins must be judged device by device and related specifications governing the devices.

**③ STATUS BEFORE INITIALIZATION OF MOS DEVICES**

Note:

Power-on does not necessarily define initial status of MOS device. Production process of MOS does not define the initial operation status of the device. Immediately after the power source is turned ON, the devices with reset function have not yet been initialized. Hence, power-on does not guarantee out-pin levels, I/O settings or contents of registers. Device is not initialized until the reset signal is received. Reset operation must be executed immediately after power-on for devices having reset function.

### CAUTION FOR HANDLING MEMORY MODULES

When handling or inserting memory modules, be sure not to touch any components on the modules, such as the memory IC, chip capacitors and chip resistors. It is necessary to avoid undue mechanical stress on these components to prevent damaging them.

When re-packing memory modules, be sure the modules are NOT touching each other. Modules in contact with other modules may cause excessive mechanical stress, which may damage the modules.

- **The information in this document is subject to change without notice. Before using this document, please confirm that this is the latest version.**
  - No part of this document may be copied or reproduced in any form or by any means without the prior written consent of NEC Corporation. NEC Corporation assumes no responsibility for any errors which may appear in this document.
  - NEC Corporation does not assume any liability for infringement of patents, copyrights or other intellectual property rights of third parties by or arising from use of a device described herein or any other liability arising from use of such device. No license, either express, implied or otherwise, is granted under any patents, copyrights or other intellectual property rights of NEC Corporation or others.
  - Descriptions of circuits, software, and other related information in this document are provided for illustrative purposes in semiconductor product operation and application examples. The incorporation of these circuits, software, and information in the design of the customer's equipment shall be done under the full responsibility of the customer. NEC Corporation assumes no responsibility for any losses incurred by the customer or third parties arising from the use of these circuits, software, and information.
  - While NEC Corporation has been making continuous effort to enhance the reliability of its semiconductor devices, the possibility of defects cannot be eliminated entirely. To minimize risks of damage or injury to persons or property arising from a defect in an NEC semiconductor device, customers must incorporate sufficient safety measures in its design, such as redundancy, fire-containment, and anti-failure features.
  - NEC devices are classified into the following three quality grades:
    - "Standard", "Special", and "Specific". The Specific quality grade applies only to devices developed based on a customer designated "quality assurance program" for a specific application. The recommended applications of a device depend on its quality grade, as indicated below. Customers must check the quality grade of each device before using it in a particular application.
    - Standard: Computers, office equipment, communications equipment, test and measurement equipment, audio and visual equipment, home electronic appliances, machine tools, personal electronic equipment and industrial robots
    - Special: Transportation equipment (automobiles, trains, ships, etc.), traffic control systems, anti-disaster systems, anti-crime systems, safety equipment and medical equipment (not specifically designed for life support)
    - Specific: Aircraft, aerospace equipment, submersible repeaters, nuclear reactor control systems, life support systems or medical equipment for life support, etc.
- The quality grade of NEC devices is "Standard" unless otherwise specified in NEC's Data Sheets or Data Books. If customers intend to use NEC devices for applications other than those specified for Standard quality grade, they should contact an NEC sales representative in advance.