

# CS8120

## 5.0 V, 300 mA Linear Regulator with $\overline{\text{RESET}}$ and $\overline{\text{ENABLE}}$

The CS8120 is a 5.0 V, 300 mA precision linear regulator with two microprocessor compatible control functions and protection circuitry included on chip. The composite NPN–PNP output pass transistor assures a lower dropout voltage (1.0 V @ 200 mA) without requiring excessive supply current (2.5 mA).

The CS8120's two logic control functions make this regulator well suited to applications requiring microprocessor–based control at the board or module level.  $\overline{\text{ENABLE}}$  controls the output stage. A high voltage (> 2.9 V) on the  $\overline{\text{ENABLE}}$  lead turns off the regulator's pass transistor and sends the IC into Sleep mode where it draws only 250  $\mu\text{A}$ . The  $\overline{\text{RESET}}$  function sends a  $\overline{\text{RESET}}$  signal when the IC is powering up or whenever the output voltage moves out of regulation. The  $\overline{\text{RESET}}$  signal is valid down to  $V_{\text{OUT}} = 1.0 \text{ V}$ .

The CS8120 design optimizes supply rejection by switching the internal bandgap reference from the supply input to the regulator output as soon as the nominal output voltage is achieved. Additional on chip filtering enhances rejection of high frequency transients on all external leads.

The CS8120 is fault protected against short circuit, over voltage and thermal runaway conditions.

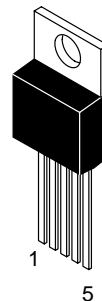
### Features

- 5.0 V  $\pm 4.0\%$  Output Voltage 300 mA
- Low Dropout Voltage (1.0 V @ 150 mA)
- Low Quiescent Current (2.5 mA @  $I_{\text{OUT}} = 150 \text{ mA}$ )
- $\mu\text{P}$  Compatible Control Functions
  - $\overline{\text{RESET}}$
  - $\overline{\text{ENABLE}}$
- Low Current Sleep Mode
  - $I_{\text{Q}} = 250 \mu\text{A}$
- Fault Protection
  - Thermal Shutdown
  - Short Circuit
  - 60 V Load Dump

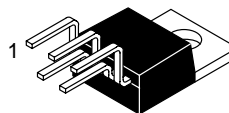


ON Semiconductor®

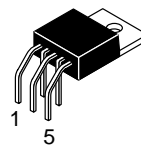
<http://onsemi.com>



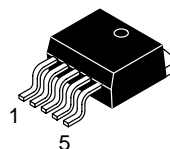
TO-220-5  
T SUFFIX  
CASE 314D



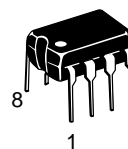
TO-220-5  
TVA SUFFIX  
CASE 314K



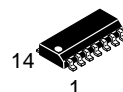
TO-220-5  
THA SUFFIX  
CASE 314A



D<sup>2</sup>PAK-5  
DP SUFFIX  
CASE 936AC



DIP-8  
N SUFFIX  
CASE 626



SO-14  
D SUFFIX  
CASE 751A

### ORDERING INFORMATION

See detailed ordering and shipping information in the package dimensions section on page 10 of this data sheet.

### DEVICE MARKING INFORMATION

See general marking information in the device marking section on page 10 of this data sheet.

# CS8120

## PIN CONNECTIONS

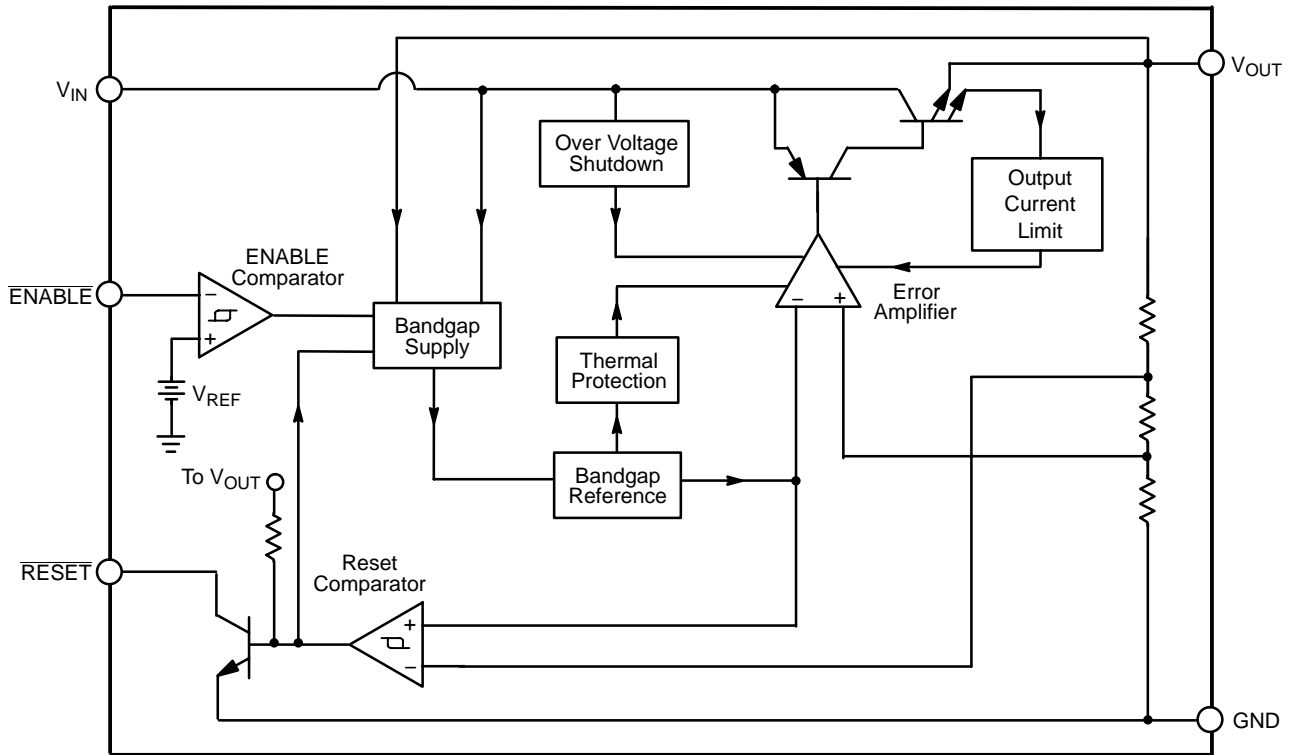
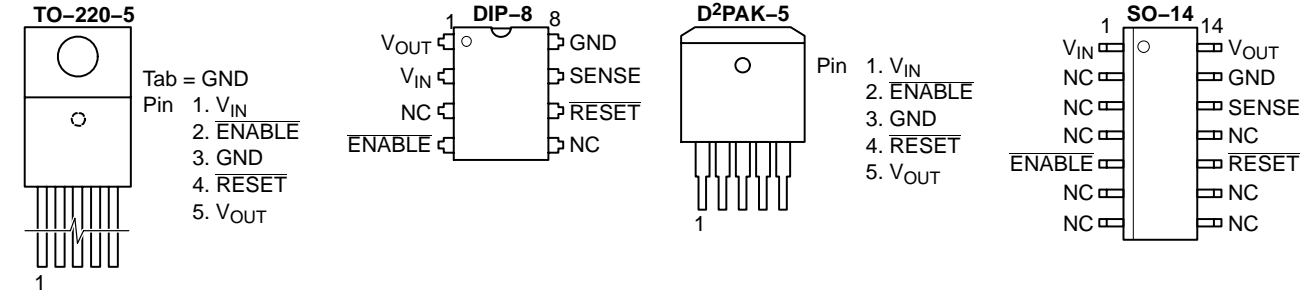


Figure 1. Block Diagram – TO-220-5

### ABSOLUTE MAXIMUM RATINGS\*

Rating	Value	Unit	
DC Input Voltage	-0.7 to 26	V	
Load Dump	60	V	
Output Current	Internally Limited	-	
Electrostatic Discharge (Human Body Model)	2.0	kV	
Operating Temperature	-40 to +125	°C	
Junction Temperature	-40 to +150	°C	
Storage Temperature Range	-55 to +150	°C	
Lead Temperature Soldering:	Wave Solder (through hole styles only) (Note 1) Reflow (SMD styles only) (Note 2)	260 peak 230 peak	°C °C

1. 10 second maximum.

2. 60 second maximum above 183°C.

\*The maximum package power dissipation must be observed.

# CS8120

**ELECTRICAL CHARACTERISTICS** ( $V_{IN} = 14\text{ V}$ ,  $I_{OUT} = 5.0\text{ mA}$ ;  $-40 \leq T_J \leq 150^\circ\text{C}$ ,  $-40^\circ\text{C} \leq T_C \leq 125^\circ\text{C}$ , unless otherwise noted.) Note 3

Characteristic	Test Conditions	Min	Typ	Max	Unit
<b>Output Stage</b>					
Output Voltage, $V_{OUT}$	$7.0\text{ V} \leq V_{IN} \leq 26\text{ V}$ , $1.0\text{ mA} \leq I_{OUT} \leq 300\text{ mA}$	4.8	5.0	5.2	V
Line Regulation	$7.0\text{ V} \leq V_{IN} \leq 26\text{ V}$ , $I_{OUT} = 200\text{ mA}$	–	–	50	mV
Load Regulation	$1.0\text{ mA} \leq I_{OUT} \leq 300\text{ mA}$	–	–	50	mV
Supply Voltage Rejection	$V_{IN} = 14\text{ V}_{DC} + 1.0\text{ V}_{RMS}$ @ 120Hz LOAD = 25 $\Omega$	40	70	–	dB
Dropout Voltage	$I_{OUT} = 200\text{ mA}$	–	1.0	1.5	V
Quiescent Current	ENABLE = High, $V_{IN} = 12\text{ V}$ ENABLE = Low, $I_{OUT} = 200\text{ mA}$	– –	0.25 2.5	0.65 15	mA mA

## Protection Circuits

Short Circuit Current	–	300	600	–	mA
Thermal Shutdown	–	150	190	–	$^\circ\text{C}$
Overvoltage Shutdown	–	26	40	–	V

## RESET

RESET Saturation Voltage	$1.0\text{ V} < V_{OUT} < V_{RT(OFF)}$ , 3.1 k $\Omega$ Pull-Up to $V_{OUT}$	–	0.1	0.4	V
RESET Output Leakage Current	ENABLE = Low, $V_{OUT} > V_{RT(ON)}$ , $V_{RESET} = V_{OUT}$	–	0	25	$\mu\text{A}$
Power ON/OFF RESET Peak Output Voltage	3.1 k $\Omega$ Pull-Up to $V_{OUT}$	–	0.7	1.0	V
RESET Threshold HIGH ( $V_{RH}$ ) LOW ( $V_{RL}$ )	$V_{OUT}$ Increasing $V_{OUT}$ Decreasing	– 4.75	$V_{OUT} - 0.10$ $V_{OUT} - 0.14$	$V_{OUT} - 0.04$ –	V V
RESET Threshold Hysteresis	–	10	40	–	mV

## ENABLE

Input High Voltage	$7.0\text{ V} < V_{IN} < 26\text{ V}$	–	2.9	3.9	V
Input Low Voltage	$7.0\text{ V} < V_{IN} < 26\text{ V}$	1.1	2.1	–	V
Input Hysteresis	$7.0\text{ V} < V_{IN} < 26\text{ V}$	0.4	0.8	2.8	V
Input Current	$\text{GND} < V_{IN(HI)} < V_{OUT}$	–10	0	+10	$\mu\text{A}$

3. To have safe operating junction temperatures, low duty cycle pulse testing is used on tests where applicable.

PACKAGE LEAD DESCRIPTION

PACKAGE LEAD #				LEAD SYMBOL	FUNCTION
TO-220-5	DIP-8	SO-14	D <sup>2</sup> PAK-5		
1	2	1	1	V <sub>IN</sub>	Supply voltage to IC, usually direct from the battery.
2	4	5	2	ENABLE	CMOS compatible logical input. V <sub>OUT</sub> is disabled i.e. placed in a high impedance state when $\overline{\text{ENABLE}}$ is high.
3	8	13	3	GND	Ground Connection.
4	6	10	4	RESET	CMOS compatible output lead. $\overline{\text{RESET}}$ goes low whenever V <sub>OUT</sub> falls out of regulation. The $\overline{\text{RESET}}$ delay is externally programmed.
5	1	14	5	V <sub>OUT</sub>	Regulated output voltage, 5.0 V (Typ).
N/A	7	12	-	SENSE	Kelvin Connection which allows remote sensing of output voltage for improved regulation. If remote sensing is not desired, connect to V <sub>OUT</sub> .
-	3, 5	2, 3, 4, 6, 7, 8, 9, 11		NC	No Connection.

TYPICAL PERFORMANCE CHARACTERISTICS

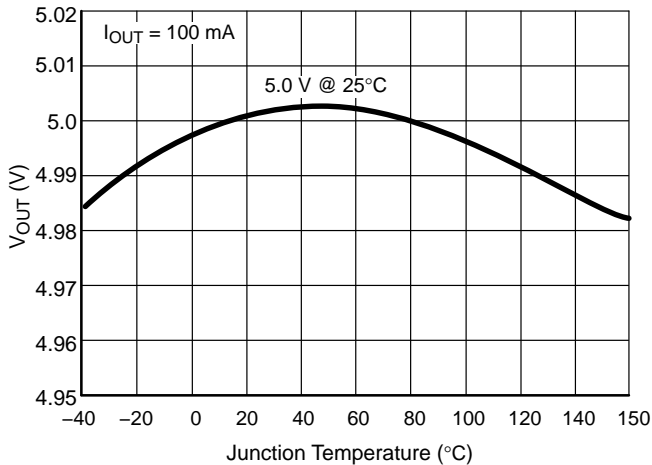


Figure 2. Output Voltage vs. Temperature

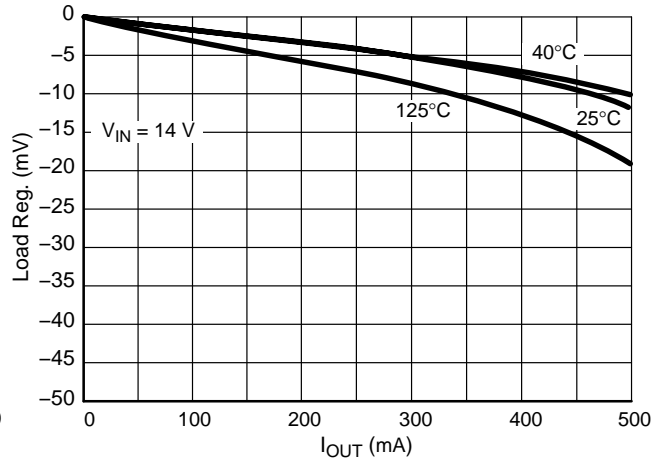


Figure 3. Load Regulation vs. Output Current Over Temperature

TYPICAL PERFORMANCE CHARACTERISTICS

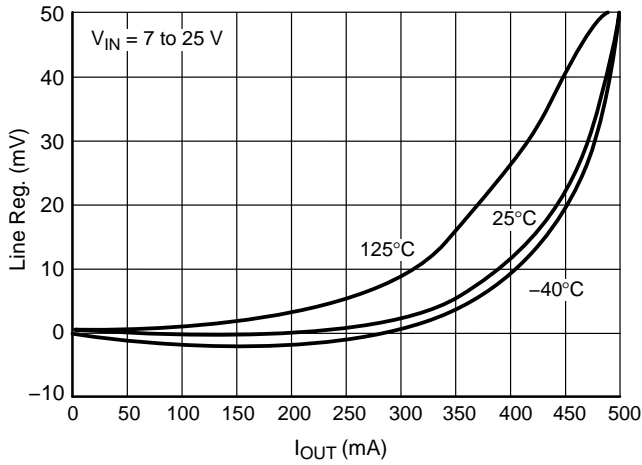


Figure 4. Line Regulation vs. Output Current Over Temperature

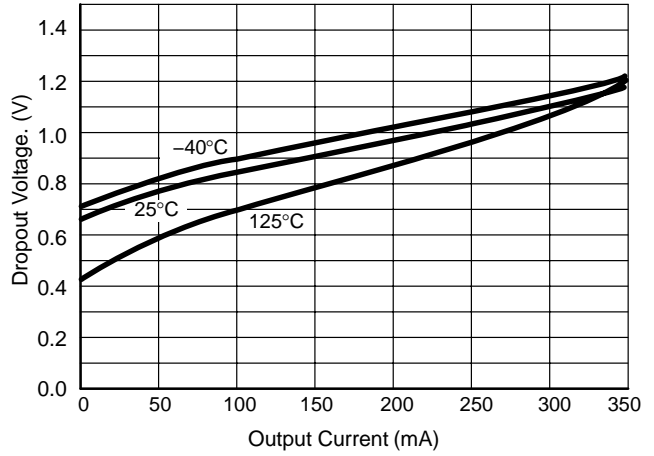


Figure 5. Dropout Voltage vs. Output Current Over Temperature

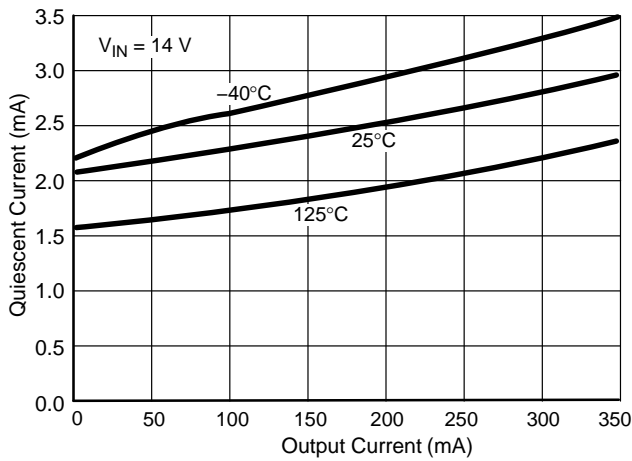


Figure 6. Quiescent Current vs. Output Current Over Temperature

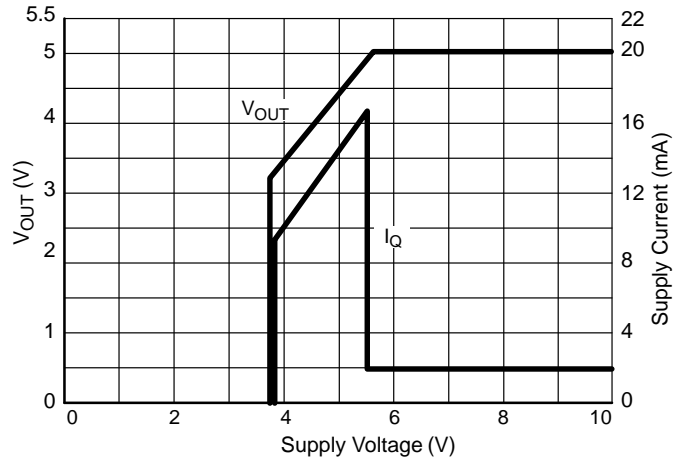


Figure 7. Output Voltage and Supply Current vs. Input Voltage

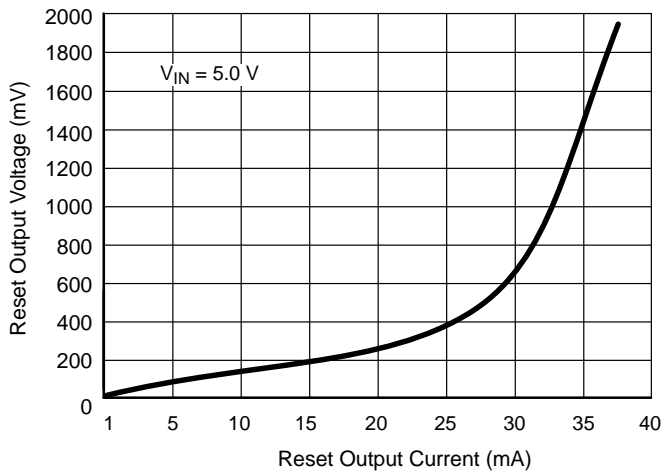


Figure 8. RESET Output Voltage vs. Output Voltage

CIRCUIT DESCRIPTION

VOLTAGE REFERENCE AND OUTPUT CIRCUITRY

Precision Voltage Reference

The regulated output voltage depends on the precision band gap voltage reference in the IC. By adding an error amplifier into the feedback loop, the output voltage is maintained within  $\pm 4.0\%$  over temperature and supply variation.

Output Stage

The composite PNP–NPN output structure (Figure 9) provides 300 mA (Typ) of output current while maintaining a low drop out voltage (1.00 V, Typ) and drawing little quiescent current (2.5 mA). The NPN pass device prevents deep saturation of the output stage which in turn improves the IC’s efficiency by preventing excess current from being used and dissipated by the IC.

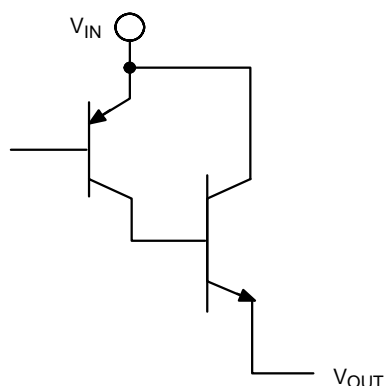


Figure 9. Composite Output Stage of the CS8120

Output Stage Protection

The output stage is protected against overvoltage, short circuit and thermal runaway conditions (Figure 10).

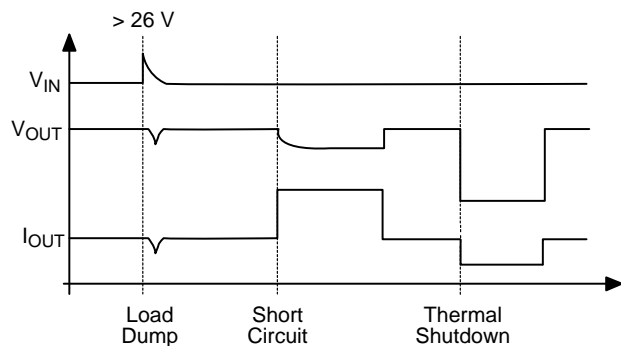


Figure 10. Typical Circuit Waveforms for Output Stage Protection

If the input voltage rises above 26 V (e.g. load dump), the output shuts down. This response protects the internal

circuitry and enables the IC to survive unexpected voltage transients.

Using an emitter sense scheme, the amount of current through the NPN pass transistor is monitored. Feedback circuitry insures that the output current never exceeds a preset limit.

Should the junction temperature of the power device exceed 180°C (Typ) the power transistor is turned off. Thermal shutdown is an effective means to prevent die overheating since the power transistor is the principle heat source in the IC.

REGULATOR CONTROL FUNCTIONS

The CS8120 contains two microprocessor compatible control functions:  $\overline{\text{ENABLE}}$  and  $\overline{\text{RESET}}$  (Figure 11).

$\overline{\text{ENABLE}}$  Function

The  $\overline{\text{ENABLE}}$  function switches the output transistor. When the voltage on the  $\overline{\text{ENABLE}}$  lead exceeds 2.9 V Typ, the output pass transistor turns off, leaving a high impedance facing the load. The IC will remain in Sleep mode, drawing only 250  $\mu\text{A}$ , until the voltage on the lead drops below 2.1 V Typ. Hysteresis (800 mV) is built into the  $\overline{\text{ENABLE}}$  function to provide good noise immunity.

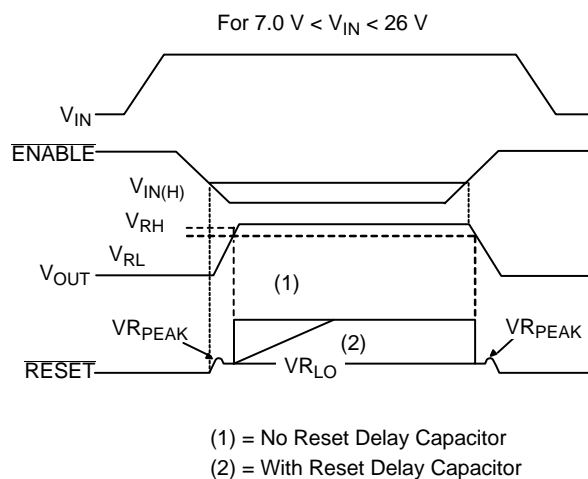


Figure 11. Circuit Waveform for CS8120

$\overline{\text{RESET}}$  Function

A  $\overline{\text{RESET}}$  signal (low voltage) is generated as the IC powers up ( $V_{\text{OUT}} > V_{\text{OUT}} - 100 \text{ mV}$ ) or when  $V_{\text{OUT}}$  drops out of regulation ( $V_{\text{OUT}} < V_{\text{OUT}} - 140 \text{ mV}$ , Typ). 40 mV of hysteresis is included in the function to minimize oscillations.

The  $\overline{\text{RESET}}$  output is an open collector NPN transistor, controlled by a low voltage detection circuit. The circuit is

# CS8120

functionally independent of the rest of the IC, thereby guaranteeing that the  $\overline{\text{RESET}}$  signal is valid for  $V_{\text{OUT}}$  as low as 1.0 V.

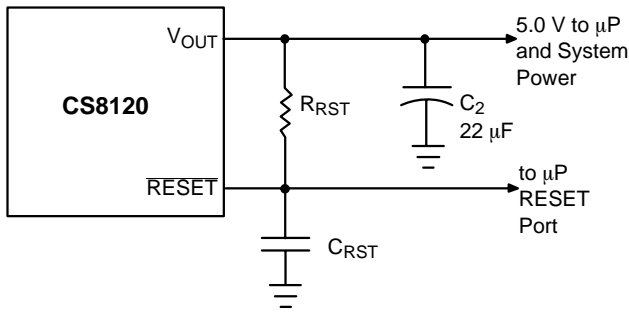


Figure 12. RC Network for  $\overline{\text{RESET}}$  Delay Circuitry

An external RC network on the  $\overline{\text{RESET}}$  lead (Figure 12) provides a sufficiently long delay for most microprocessor based applications. RC values can be chosen using the following formula:

$$R_{\text{TOT}} \times C_{\text{RST}} = \left[ \frac{-t_{\text{Delay}}}{\ln\left(\frac{V_T - V_{\text{OUT}}}{V_{\text{RST}} - V_{\text{OUT}}}\right)} \right]$$

where:

$R_{\text{TOT}} = R_{\text{RST}}$  in parallel with  $R_{\text{IN}}$ ,

$R_{\text{IN}} = \mu\text{P}$  port impedance,

$C_{\text{RST}} = \overline{\text{RESET}}$  delay capacitor,

$t_{\text{Delay}} =$  desired delay time,

$V_{\text{RST}} = V_{\text{SAT}}$  of  $\overline{\text{RESET}}$  lead (0.7 V @ turn – ON), and

$V_T = \mu\text{P}$  logic threshold voltage.

## APPLICATION NOTES

The circuit depicted in Figure 13 lets the microprocessor control its power source, the CS8120 regulator. An I/O port on the  $\mu\text{P}$  and the SWITCH port are used to drive the base of Q1. When Q1 is driven into saturation, the voltage on the  $\overline{\text{ENABLE}}$  lead falls below its lower threshold. The regulator's output is switched out. When the drive current is removed, the voltage on the  $\overline{\text{ENABLE}}$  lead rises, the output is switched off and the IC moves into Sleep mode where it draws 250  $\mu\text{A}$ .

By coupling these two controls with the  $\overline{\text{ENABLE}}$ , the system has added flexibility. Once the system is running, the state of the SWITCH is irrelevant as long as the I/O port continues to drive Q1. The microprocessor can turn off its own power by withdrawing drive current, once the SWITCH is open. This software control at the I/O port

allows the microprocessor to finish key housekeeping functions before power is removed.

The logic options are summarized in Table 1.

Table 1. Logic Control of CS8120 Output

Microprocessor I/O Drive	SWITCH	$\overline{\text{ENABLE}}$	Output
ON	Closed	LOW	ON
	Open	LOW	ON
OFF	Closed	LOW	ON
	Open	HIGH	OFF

The I/O port of the microprocessor typically provides 50  $\mu\text{A}$  to Q1. In automotive applications the SWITCH is connected to the ignition switch.

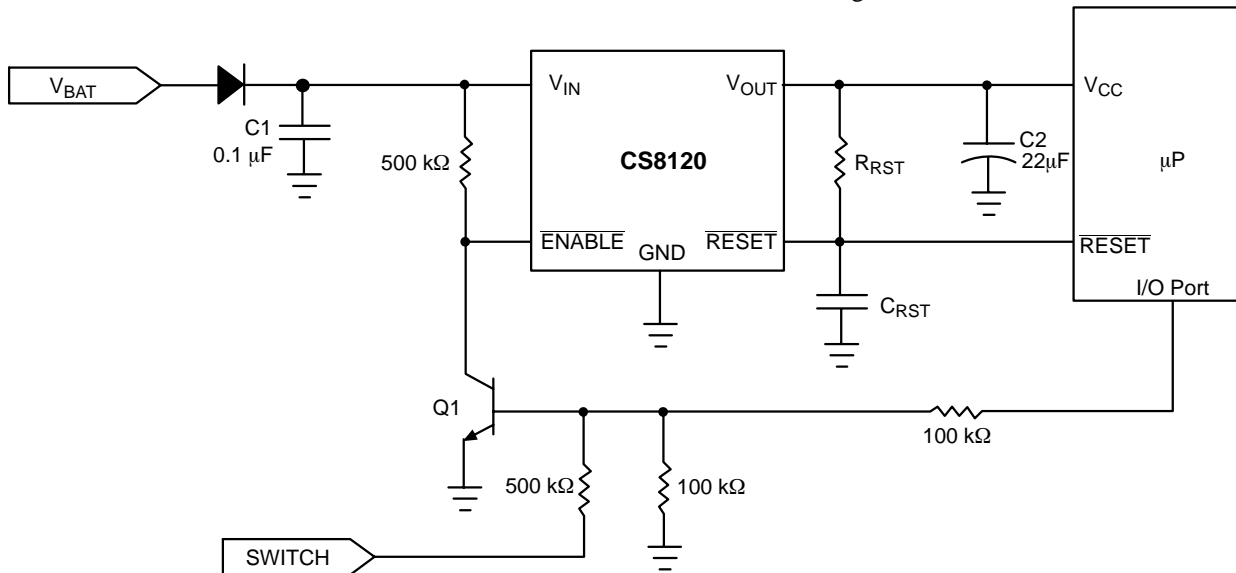


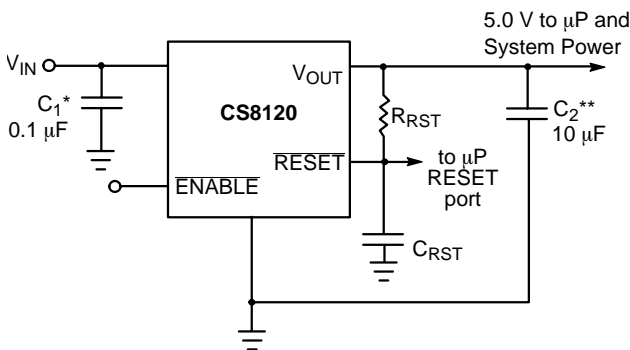
Figure 13. Microprocessor Control of CS8120 Using External Switching Transistor Q1

**STABILITY CONSIDERATIONS**

The output or compensation capacitor,  $C_2$ , helps determine three main characteristics of a linear regulator: start-up delay, load transient response and loop stability.

The capacitor value and type should be based on cost, availability, size and temperature constraints. A tantalum or aluminum electrolytic capacitor is best, since a film or ceramic capacitor with almost zero ESR can cause instability. The aluminum electrolytic capacitor is the least expensive solution, but, if the circuit operates at low temperatures ( $-25^{\circ}\text{C}$  to  $-40^{\circ}\text{C}$ ), both the value and ESR of the capacitor will vary considerably. The capacitor manufacturers data sheet usually provides this information.

The value for the output capacitor  $C_2$  shown in Figure 14 should work for most applications, however it is not necessarily the optimized solution.



\* $C_1$  is required if regulator is far from the power source filter.  
 \*\* $C_2$  is required for stability.

**Figure 14. Circuit Showing Output Compensation Capacitor**

To determine an acceptable value for  $C_2$  for a particular application, start with a tantalum capacitor of the recommended value and work towards a less expensive alternative part.

**Step 1:** Place the completed circuit with a tantalum capacitor of the recommended value in an environmental chamber at the lowest specified operating temperature and monitor the outputs with an oscilloscope. A decade box connected in series with the capacitor will simulate the higher ESR of an aluminum capacitor. Leave the decade box outside the chamber, the small resistance added by the longer leads is negligible.

**Step 2:** With the input voltage at its maximum value, increase the load current slowly from zero to full load while observing the output for any oscillations. If no oscillations are observed, the capacitor is large enough to ensure a stable design under steady state conditions.

**Step 3:** Increase the ESR of the capacitor from zero using the decade box and vary the load current until oscillations appear. Record the values of load current and ESR that cause

the greatest oscillation. This represents the worst case load conditions for the regulator at low temperature.

**Step 4:** Maintain the worst case load conditions set in step 3 and vary the input voltage until the oscillations increase. This point represents the worst case input voltage conditions.

**Step 5:** If the capacitor is adequate, repeat steps 3 and 4 with the next smaller valued capacitor. A smaller capacitor will usually cost less and occupy less board space. If the output oscillates within the range of expected operating conditions, repeat steps 3 and 4 with the next larger standard capacitor value.

**Step 6:** Test the load transient response by switching in various loads at several frequencies to simulate its real working environment. Vary the ESR to reduce ringing.

**Step 7:** Raise the temperature to the highest specified operating temperature. Vary the load current as instructed in step 5 to test for any oscillations.

Once the minimum capacitor value with the maximum ESR is found, a safety factor should be added to allow for the tolerance of the capacitor and any variations in regulator performance. Most good quality aluminum electrolytic capacitors have a tolerance of  $\pm 20\%$  so the minimum value found should be increased by at least 50% to allow for this tolerance plus the variation which will occur at low temperatures. The ESR of the capacitor should be less than 50% of the maximum allowable ESR found in step 3 above.

**CALCULATING POWER DISSIPATION IN A SINGLE OUTPUT LINEAR REGULATOR**

The maximum power dissipation for a single output regulator (Figure 15) is:

$$P_{D(\max)} = (V_{IN(\max)} - V_{OUT(\min)})I_{OUT(\max)} + V_{IN(\max)}I_Q \quad (1)$$

where:

- $V_{IN(\max)}$  is the maximum input voltage,
- $V_{OUT(\min)}$  is the minimum output voltage,
- $I_{OUT(\max)}$  is the maximum output current for the application, and
- $I_Q$  is the quiescent current the regulator consumes at  $I_{OUT(\max)}$ .

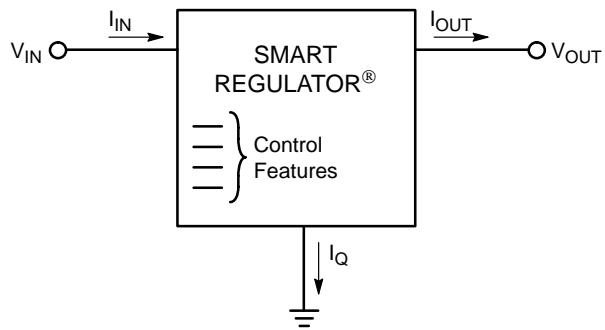
Once the value of  $P_{D(\max)}$  is known, the maximum permissible value of  $R_{\theta JA}$  can be calculated:

$$R_{\theta JA} = \frac{150^{\circ}\text{C} - T_A}{P_D} \quad (2)$$

The value of  $R_{\theta JA}$  can then be compared with those in the package section of the data sheet. Those packages with  $R_{\theta JA}$ 's less than the calculated value in equation 2 will keep the die temperature below  $150^{\circ}\text{C}$ .

In some cases, none of the packages will be sufficient to dissipate the heat generated by the IC, and an external heatsink will be required.





**Figure 15. Single Output Regulator With Key Performance Parameters Labeled**

### HEAT SINKS

A heat sink effectively increases the surface area of the package to improve the flow of heat away from the IC and into the surrounding air.

Each material in the heat flow path between the IC and the outside environment will have a thermal resistance. Like series electrical resistances, these resistances are summed to determine the value of  $R_{\theta JA}$ .

$$R_{\theta JA} = R_{\theta JC} + R_{\theta CS} + R_{\theta SA} \quad (3)$$

where:

$R_{\theta JC}$  = the junction-to-case thermal resistance,

$R_{\theta CS}$  = the case-to-heatsink thermal resistance, and

$R_{\theta SA}$  = the heatsink-to-ambient thermal resistance.

$R_{\theta JC}$  appears in the package section of the data sheet. Like  $R_{\theta JA}$ , it too is a function of package type.  $R_{\theta CS}$  and  $R_{\theta SA}$  are functions of the package type, heatsink and the interface between them. These values appear in heat sink data sheets of heat sink manufacturers.

# CS8120

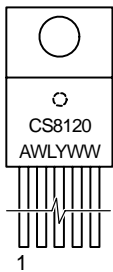
## ORDERING INFORMATION

Device	Description	Shipping†
CS8120YT5	TO-220-5	50 Units/Rail
CS8120YTVA5	TO-220-5	50 Units/Rail
CS8120YTHA5	TO-220-5 HORIZONTAL	50 Units/Rail
CS8120YN8	DIP-8	50 Units/Rail
CS8120YDP5	D <sup>2</sup> PAK-5	50 Units/Rail
CS8120YDPR5	D <sup>2</sup> PAK-5	750 Tape & Reel
CS8120YD14	SO-14	55 Units/Rail
CS8120YDR14	SO-14	2500 Tape & Reel

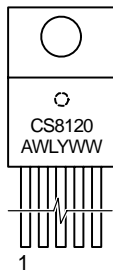
†For information on tape and reel specifications, including part orientation and tape sizes, please refer to our Tape and Reel Packaging Specifications Brochure, BRD8011/D.

## MARKING DIAGRAMS

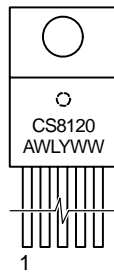
TO-220-5  
T SUFFIX  
CASE 314D



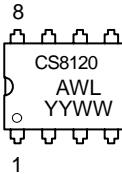
TO-220-5  
TVA SUFFIX  
CASE 314K



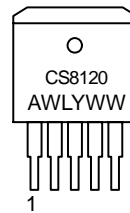
TO-220-5  
THA SUFFIX  
CASE 314A



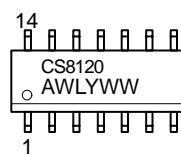
DIP-8  
N SUFFIX  
CASE 626



D<sup>2</sup>PAK-5  
DP SUFFIX  
CASE 936F



SO-14  
D SUFFIX  
CASE 751A

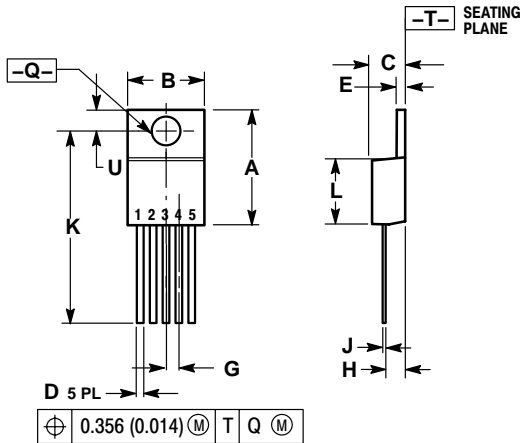


A = Assembly Location  
WL, L = Wafer Lot  
YY, Y = Year  
WW, W = Work Week

# CS8120

## PACKAGE DIMENSIONS

TO-220-5  
T SUFFIX  
CASE 314D-04  
ISSUE E

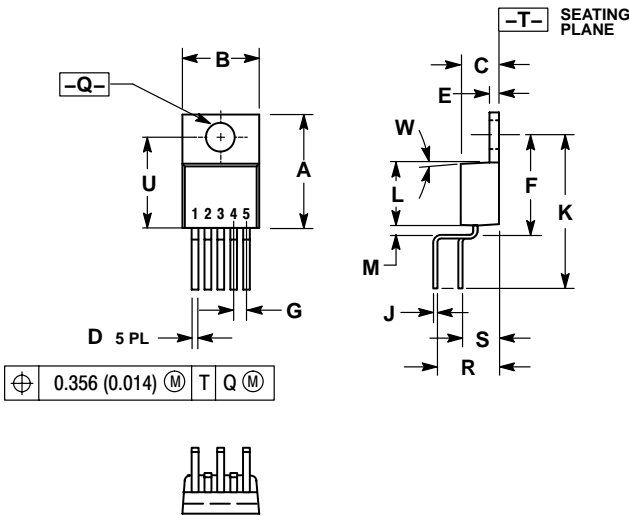


NOTES:

1. DIMENSIONING AND TOLERANCING PER ANSI Y14.5M, 1982.
2. CONTROLLING DIMENSION: INCH.
3. DIMENSION D DOES NOT INCLUDE INTERCONNECT BAR (DAMBAR) PROTRUSION. DIMENSION D INCLUDING PROTRUSION SHALL NOT EXCEED 10.92 (0.043) MAXIMUM.

DIM	INCHES		MILLIMETERS	
	MIN	MAX	MIN	MAX
A	0.572	0.613	14.529	15.570
B	0.390	0.415	9.906	10.541
C	0.170	0.180	4.318	4.572
D	0.025	0.038	0.635	0.965
E	0.048	0.055	1.219	1.397
G	0.067 BSC		1.702 BSC	
H	0.087	0.112	2.210	2.845
J	0.015	0.025	0.381	0.635
K	0.990	1.045	25.146	26.543
L	0.320	0.365	8.128	9.271
Q	0.140	0.153	3.556	3.886
U	0.105	0.117	2.667	2.972

TO-220-5  
TVA SUFFIX  
CASE 314K-01  
ISSUE O



NOTES:

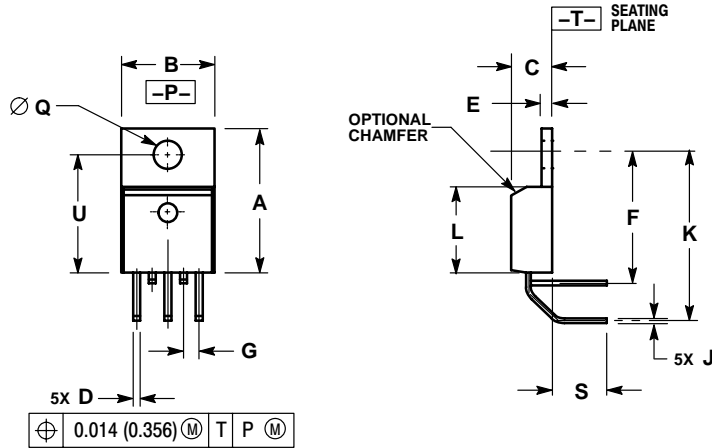
1. DIMENSIONING AND TOLERANCING PER ANSI Y14.5M, 1982.
2. CONTROLLING DIMENSION: INCH.
3. DIMENSION D DOES NOT INCLUDE INTERCONNECT BAR (DAMBAR) PROTRUSION. DIMENSION D, INCLUDING PROTRUSION, SHALL NOT EXCEED 10.92 (0.043) MAXIMUM.

DIM	INCHES		MILLIMETERS	
	MIN	MAX	MIN	MAX
A	0.560	0.590	14.22	14.99
B	0.385	0.415	9.78	10.54
C	0.160	0.190	4.06	4.83
D	0.027	0.037	0.69	0.94
E	0.045	0.055	1.14	1.40
F	0.530	0.545	13.46	13.84
G	0.067 BSC		1.70 BSC	
J	0.014	0.022	0.36	0.56
K	0.785	0.800	19.94	20.32
L	0.321	0.337	8.15	8.56
M	0.063	0.078	1.60	1.98
Q	0.146	0.156	3.71	3.96
R	0.271	0.321	6.88	8.15
S	0.146	0.196	3.71	4.98
U	0.460	0.475	11.68	12.07
W	5°		5°	

# CS8120

## PACKAGE DIMENSIONS

TO-220-5  
THA SUFFIX  
CASE 314A-03  
ISSUE E



NOTES:

1. DIMENSIONING AND TOLERANCING PER ANSI Y14.5M, 1982.
2. CONTROLLING DIMENSION: INCH.
3. DIMENSION D DOES NOT INCLUDE INTERCONNECT BAR (DAMBAR) PROTRUSION. DIMENSION D INCLUDING PROTRUSION SHALL NOT EXCEED 0.043 (1.092) MAXIMUM.

DIM	INCHES		MILLIMETERS	
	MIN	MAX	MIN	MAX
A	0.572	0.613	14.529	15.570
B	0.390	0.415	9.906	10.541
C	0.170	0.180	4.318	4.572
D	0.025	0.038	0.635	0.965
E	0.048	0.055	1.219	1.397
F	0.570	0.585	14.478	14.859
G	0.067 BSC		1.702 BSC	
J	0.015	0.025	0.381	0.635
K	0.730	0.745	18.542	18.923
L	0.320	0.365	8.128	9.271
Q	0.140	0.153	3.556	3.886
S	0.210	0.260	5.334	6.604
U	0.468	0.505	11.888	12.827

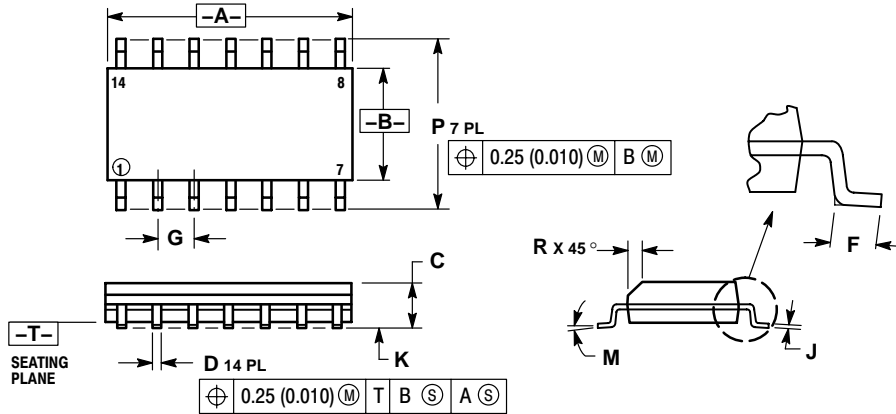
D<sup>2</sup>PAK-5  
DP SUFFIX  
CASE 936AC-01  
ISSUE O

**For D<sup>2</sup>PAK Outline and  
Dimensions – Contact Factory**

# CS8120

## PACKAGE DIMENSIONS

### SO-14 D SUFFIX CASE 751A-03 ISSUE F

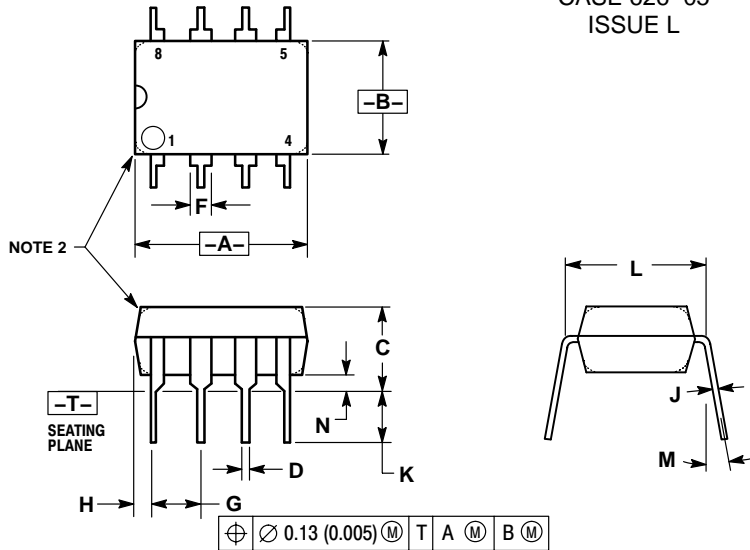


NOTES:

1. DIMENSIONING AND TOLERANCING PER ANSI Y14.5M, 1982.
2. CONTROLLING DIMENSION: MILLIMETER.
3. DIMENSIONS A AND B DO NOT INCLUDE MOLD PROTRUSION.
4. MAXIMUM MOLD PROTRUSION 0.15 (0.006) PER SIDE.
5. DIMENSION D DOES NOT INCLUDE DAMBAR PROTRUSION. ALLOWABLE DAMBAR PROTRUSION SHALL BE 0.127 (0.005) TOTAL IN EXCESS OF THE D DIMENSION AT MAXIMUM MATERIAL CONDITION.

DIM	MILLIMETERS		INCHES	
	MIN	MAX	MIN	MAX
A	8.55	8.75	0.337	0.344
B	3.80	4.00	0.150	0.157
C	1.35	1.75	0.054	0.068
D	0.35	0.49	0.014	0.019
F	0.40	1.25	0.016	0.049
G	1.27 BSC		0.050 BSC	
J	0.19	0.25	0.008	0.009
K	0.10	0.25	0.004	0.009
M	0°	7°	0°	7°
P	5.60	6.20	0.228	0.244
R	0.25	0.50	0.010	0.019

### DIP-8 N SUFFIX CASE 626-05 ISSUE L



NOTES:

1. DIMENSION L TO CENTER OF LEAD WHEN FORMED PARALLEL.
2. PACKAGE CONTOUR OPTIONAL (ROUND OR SQUARE CORNERS).
3. DIMENSIONING AND TOLERANCING PER ANSI Y14.5M, 1982.


DIM	MILLIMETERS		INCHES	
	MIN	MAX	MIN	MAX
A	9.40	10.16	0.370	0.400
B	6.10	6.60	0.240	0.260
C	3.94	4.45	0.155	0.175
D	0.38	0.51	0.015	0.020
F	1.02	1.78	0.040	0.070
G	2.54 BSC		0.100 BSC	
H	0.76	1.27	0.030	0.050
J	0.20	0.30	0.008	0.012
K	2.92	3.43	0.115	0.135
L	7.62 BSC		0.300 BSC	
M	---	10°	---	10°
N	0.76	1.01	0.030	0.040

### PACKAGE THERMAL DATA

Parameter		TO-220-5	D <sup>2</sup> PAK-5	DIP-8	SO-14	Unit
R <sub>θJC</sub>	Typical	3.1	3.1	52	30	°C/W
R <sub>θJA</sub>	Typical	50	10-50*	100	125	°C/W

\* Depending on thermal properties of substrate.  $R_{\theta JA} = R_{\theta JC} + R_{\theta CA}$

SMART REGULATOR is a registered trademark of Semiconductor Components Industries, LLC (SCILLC).

**ON Semiconductor** and  are registered trademarks of Semiconductor Components Industries, LLC (SCILLC). SCILLC reserves the right to make changes without further notice to any products herein. SCILLC makes no warranty, representation or guarantee regarding the suitability of its products for any particular purpose, nor does SCILLC assume any liability arising out of the application or use of any product or circuit, and specifically disclaims any and all liability, including without limitation special, consequential or incidental damages. "Typical" parameters which may be provided in SCILLC data sheets and/or specifications can and do vary in different applications and actual performance may vary over time. All operating parameters, including "Typicals" must be validated for each customer application by customer's technical experts. SCILLC does not convey any license under its patent rights nor the rights of others. SCILLC products are not designed, intended, or authorized for use as components in systems intended for surgical implant into the body, or other applications intended to support or sustain life, or for any other application in which the failure of the SCILLC product could create a situation where personal injury or death may occur. Should Buyer purchase or use SCILLC products for any such unintended or unauthorized application, Buyer shall indemnify and hold SCILLC and its officers, employees, subsidiaries, affiliates, and distributors harmless against all claims, costs, damages, and expenses, and reasonable attorney fees arising out of, directly or indirectly, any claim of personal injury or death associated with such unintended or unauthorized use, even if such claim alleges that SCILLC was negligent regarding the design or manufacture of the part. SCILLC is an Equal Opportunity/Affirmative Action Employer. This literature is subject to all applicable copyright laws and is not for resale in any manner.

## PUBLICATION ORDERING INFORMATION

### LITERATURE FULFILLMENT:

Literature Distribution Center for ON Semiconductor  
P.O. Box 5163, Denver, Colorado 80217 USA

**Phone:** 303-675-2175 or 800-344-3860 Toll Free USA/Canada

**Fax:** 303-675-2176 or 800-344-3867 Toll Free USA/Canada

**Email:** [orderlit@onsemi.com](mailto:orderlit@onsemi.com)

**N. American Technical Support:** 800-282-9855 Toll Free  
USA/Canada

**Japan:** ON Semiconductor, Japan Customer Focus Center  
2-9-1 Kamimeguro, Meguro-ku, Tokyo, Japan 153-0051  
**Phone:** 81-3-5773-3850

**ON Semiconductor Website:** <http://onsemi.com>

**Order Literature:** <http://www.onsemi.com/litorder>

For additional information, please contact your  
local Sales Representative.