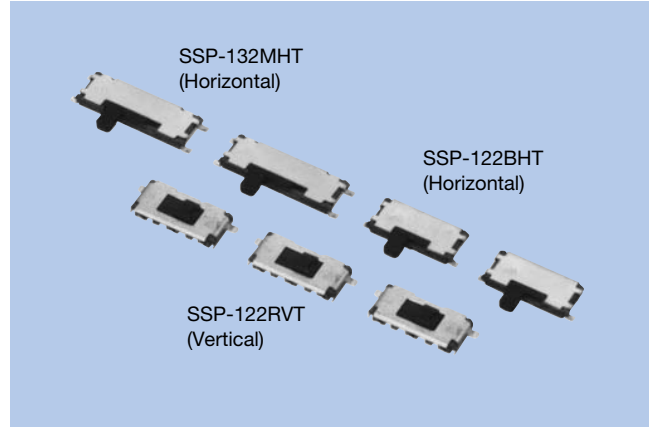


# H=1mm Paper Slide Switches SSP Series

## FEATURES

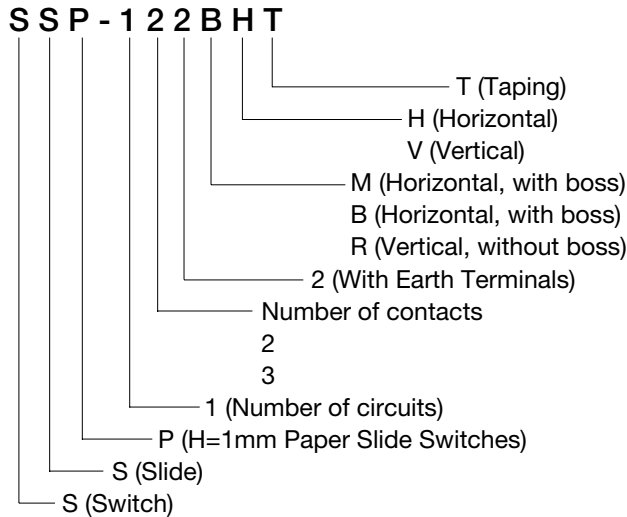
1. Super thin 1mm (horizontal), 1.08mm (vertical) in height.
2. SMT type and reflow-soldering for surface mounting.
3. Taped packaging for automatic mounting.
4. 2 types. 1-circuit, 2-contacts (SSP-122\*\*\*), 1-circuit, 3-contacts (SSP-132MHT).
5. Changeover timing is not specified.



## USES

1. Function selector switches for portable audios, radios, LCD TV sets, video cameras, and such.
2. Write protect switches for memory cards.

## MODEL NAME CODE



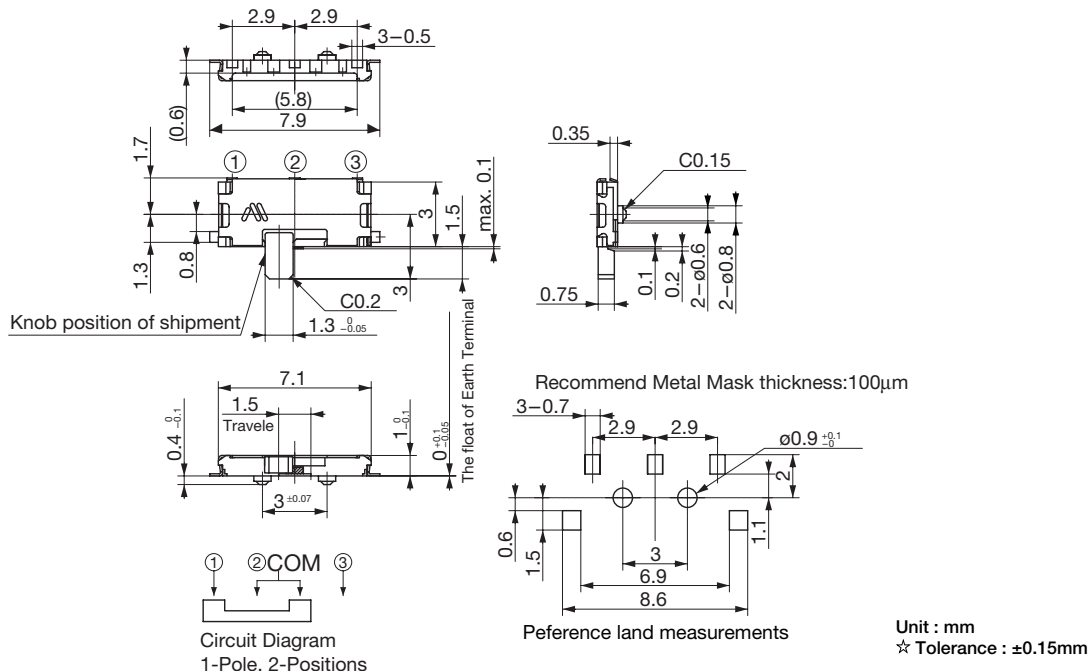
## SPECIFICATIONS

Electrical Characteristics	Rating	0.3A, 4V DC
	Contact Resistance	200mΩ or less
	Insulation Resistance	100MΩ or more
	Withstand Voltage	1 minute at 100V AC
Mechanical Characteristics	Operating Force	1.47 ± 1N (150 ± 100gf)
Life		Horizontal 10,000cycles Vertical 6,000cycles

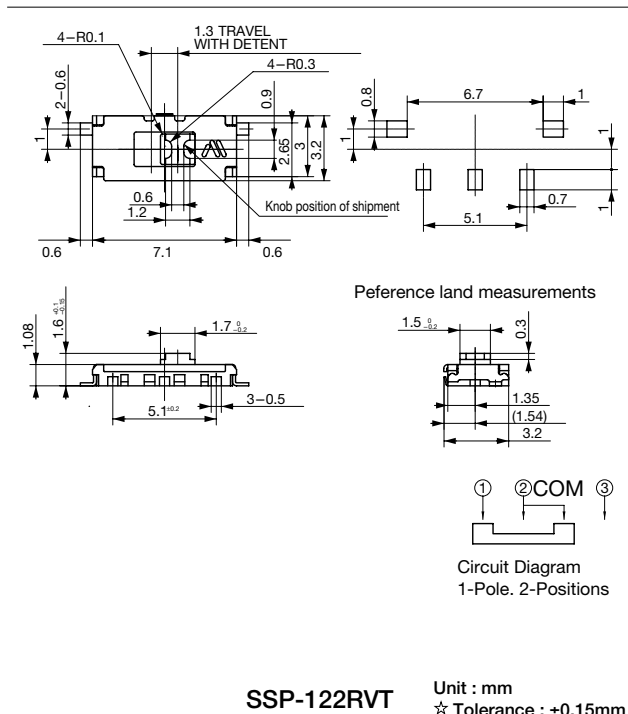
### TYPE

Model Name Code	Order Number	No. of Poles	No. of Contacts	Travel (mm)	Knob Direction	Boss	Pcs/Reel
SSP-122BHT	R66 6546	1	2	1.5	Horizontal	With	5,000
SSP-122RVT	R66 6406	1	2	1.3	Vertical	Without	5,000
SSP-132MHT	R66 6382	1	3	1.5	Horizontal	With	5,000

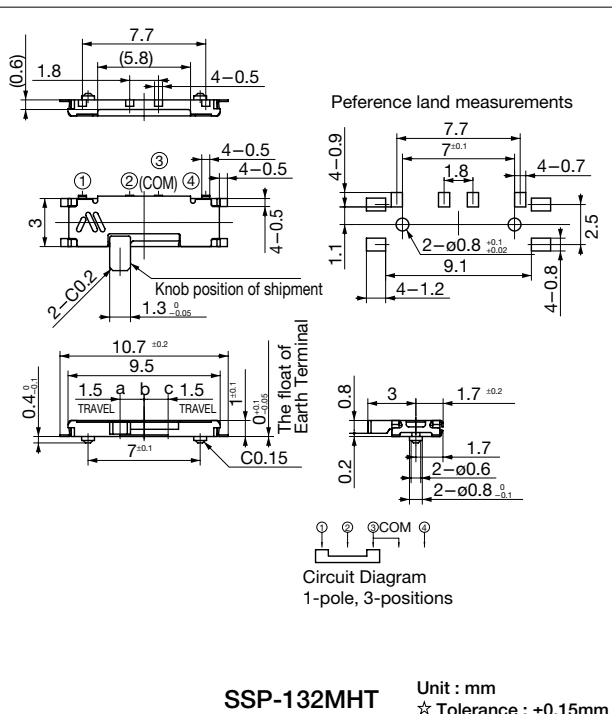
### DIMENSIONS



SSP-122BHT



SSP-122RVT Unit : mm ☆ Tolerance : ±0.15mm



SSP-132MHT Unit : mm ☆ Tolerance : ±0.15mm