



# RJ-45 MODULAR JACK FOR ETHERNET 10BASE-T 1 PORT

## Networking Components

### FEATURES

- **COST SAVING**
  - REDUCE PCB SPACE
  - SAVE INVENTORY AND ASSEMBLY COST
- **IMPROVE EMC PERFORMANCE**
  - REDUCE THE OVERALL LENGTH OF SIGNAL PATH ON PCB AND LOWER NOISE LEVEL
- **MEET IEEE 802.3 STANDARDS AND FCC MECHANICAL REQUIREMENTS**

(EX.) 

RT	1	A	*	*	08	T	08	9	*
A	B	C	D	E	F	G	H	I	J

**A: 10 BASE-T**  
**B: NUMBER OF PORT**  
**C: CIRCUIT TYPE**  
 A~..... (SEE CIRCUIT SCHEMATICS)  
**D: TURNS RATIO: TX/RX**  
 1=1:1 / 1:1  
 2=1:1.414 / 1:1  
 3=1:2 / 1:1  
 4=2:1 / 1:1  
**E: OPEN CIRCUIT INDUCTANCE: (TX/RX)**  
 0=150uH MIN/150uH MIN  
 1=100uH $\pm$ 20%/100uH $\pm$ 20%  
 2=50uH MIN/200uH MIN  
 3=400uH MIN/100uH MIN  
 4=100uH MIN/200uH MIN  
 5=140uH MIN/25uH MIN  
**F: CONNECTOR OUTPUT PIN NUMBER**  
**G: T=THROUGH HOLE**  
**S=SURFACE MOUNT**  
**H: CONNECTOR INPUT PIN NUMBER**  
**I: CONTACT PLATING**  
 OPTIONAL GOLD PLATING  
 9=30u" ON CONTACT AREA  
**J: MECHANICAL & CONSTRUCTIONS TYPES**

### ELECTRICAL CHARACTERISTICS @25° C

Model	Primary DCR TX/RX Max (Ohm)	LK Max (uH)	Cp Max (pF)	HI-POT TEST (Vrms)
RT1A**08T089	0.35	0.3	12	1500
RT1A**08T089A	0.35	0.3	12	1500
RT1B**08T089	0.35	0.3	12	1500
RT1B**08T089A	0.35	0.3	12	1500
RT1C**08T089	0.35	0.3	12	1500
RT1C**08T089A	0.35	0.3	12	1500
RL1BA08T089C	0.35	0.3	12	1500
RL1CA08T089D	0.35	0.3	12	1500

### DELTA ELECTRONICS, INC.

(TAOYUAN PLANT CPBG) 252, SAN YING ROAD, KUEI SAN INDUSTRIAL ZONE, TAOYUAN SHIEN, TAIWAN, R.O.C.  
 TEL: 886-3-3591968; FAX: 886-3-3591991  
[Http://www.delta.com/products/networking](http://www.delta.com/products/networking)

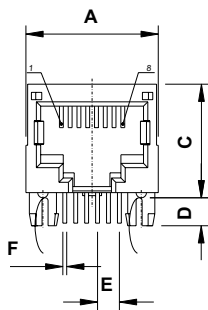
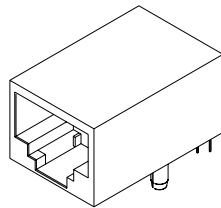


# RJ-45 MODULAR JACK FOR FAST ETHERNET 10BASE-T 1 PORT (TYPE A / TYPE B)

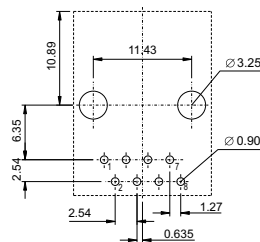
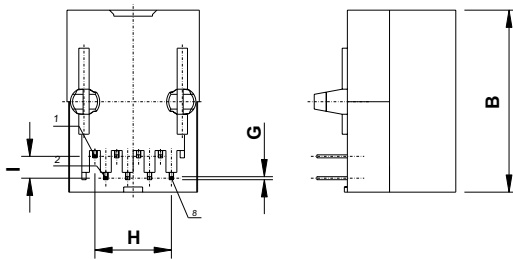
## Networking Components

### MECHANICAL CONSTRUCTION

RT1A\*\*08T089  
RT1B\*\*08T089  
RT1C\*\*08T089

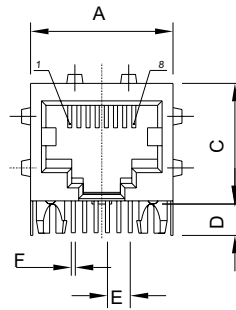
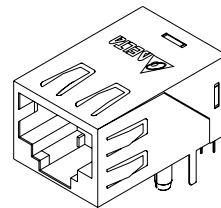


UNIT : mm / inch  
 A = 15.38 ± 0.254 / 0.606 ± 0.010  
 B = 21.10 ± 0.254 / 0.833 ± 0.010  
 C = 13.20 ± 0.254 / 0.520 ± 0.010  
 D = 3.25 ± 0.254 / 0.128 ± 0.010  
 E = 2.54 / 0.100 (TYP)  
 F = 0.50 ± 0.127 / 0.020 ± 0.005  
 G = 0.35 ± 0.127 / 0.014 ± 0.005  
 H = 8.89 / 0.350 (TYP)  
 I = 2.54 / 0.100 (TYP)  
 J = 1.00 ± 0.18 / 0.039 ± 0.007  
 K = 0.90 / 0.035 (MAX)

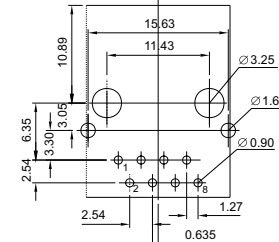
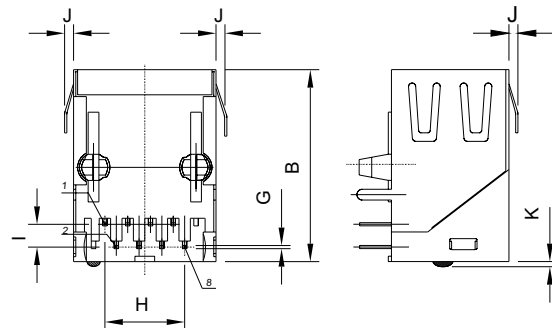


RECOMMENDED P.C.B. LAYOUT  
BOTTOM VIEW

RT1A\*\*08T089A  
RT1B\*\*08T089A  
RT1C\*\*08T089A



UNIT : mm / inch  
 A = 15.88 ± 0.254 / 0.625 ± 0.010  
 B = 21.60 ± 0.254 / 0.850 ± 0.010  
 C = 13.45 ± 0.254 / 0.530 ± 0.010  
 D = 3.50 ± 0.254 / 0.138 ± 0.010  
 E = 2.54 / 0.100 (TYP)  
 F = 0.50 ± 0.127 / 0.020 ± 0.005  
 G = 0.35 ± 0.127 / 0.014 ± 0.005  
 H = 8.89 / 0.350 (TYP)  
 I = 2.54 / 0.100 (TYP)  
 J = 1.00 ± 0.18 / 0.039 ± 0.007  
 K = 0.90 / 0.035 (MAX)



RECOMMENDED P.C.B. LAYOUT  
BOTTOM VIEW

### DELTA ELECTRONICS, INC.

(TAOYUAN PLANT CPBG) 252, SAN YING ROAD, KUEI SAN INDUSTRIAL ZONE, TAOYUAN SHIEN, TAIWAN, R.O.C.  
 TEL: 886-3-3591968; FAX: 886-3-3591991  
 Http://www.delta.com/products/networking

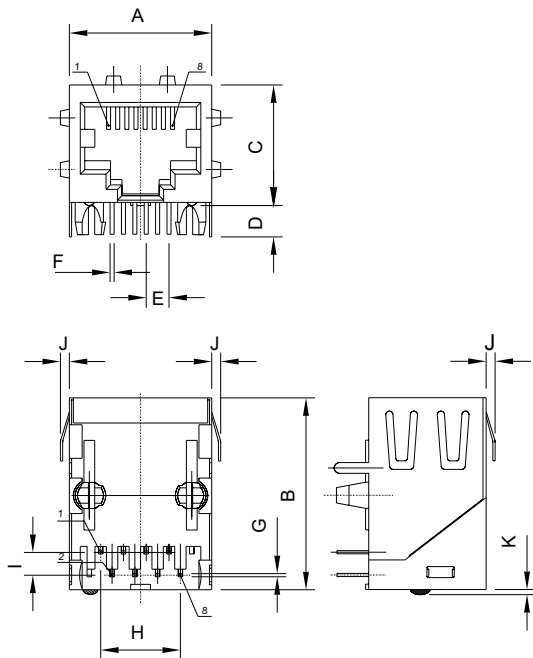
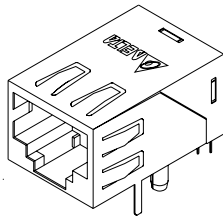


# RJ-45 MODULAR JACK FOR ETHERNET 10BASE-T 1 PORT (TYPE C / TYPE D)

## Networking Components

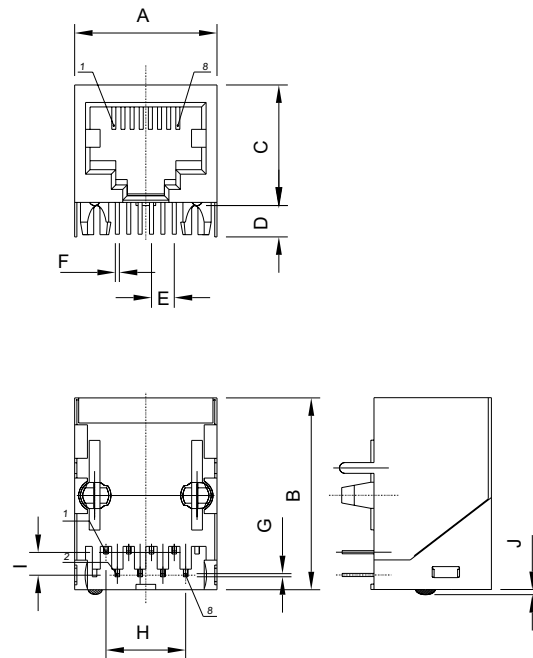
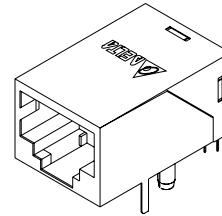
### MECHANICAL CONSTRUCTION

RL1BA08T089C

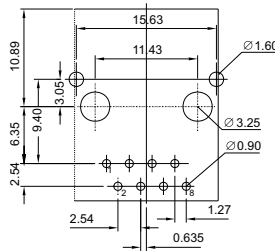


UNIT : mm / inch  
 A =  $15.88 \pm 0.254 / 0.625 \pm 0.010$   
 B =  $21.60 \pm 0.254 / 0.850 \pm 0.010$   
 C =  $13.45 \pm 0.254 / 0.530 \pm 0.010$   
 D =  $3.50 \pm 0.254 / 0.138 \pm 0.010$   
 E =  $2.54 / 0.100$  (TYP)  
 F =  $0.50 \pm 0.127 / 0.020 \pm 0.005$   
 G =  $0.35 \pm 0.127 / 0.014 \pm 0.005$   
 H =  $8.89 / 0.350$  (TYP)  
 I =  $2.54 / 0.100$  (TYP)  
 J =  $1.00 \pm 0.18 / 0.039 \pm 0.007$   
 K =  $0.90 / 0.035$  (MAX)

RL1CA08T089D



UNIT : mm / inch  
 A =  $15.88 \pm 0.254 / 0.625 \pm 0.010$   
 B =  $21.60 \pm 0.254 / 0.850 \pm 0.010$   
 C =  $13.45 \pm 0.254 / 0.530 \pm 0.010$   
 D =  $3.50 \pm 0.254 / 0.138 \pm 0.010$   
 E =  $2.54 / 0.100$  (TYP)  
 F =  $0.50 \pm 0.127 / 0.020 \pm 0.005$   
 G =  $0.35 \pm 0.127 / 0.014 \pm 0.005$   
 H =  $8.89 / 0.350$  (TYP)  
 I =  $2.54 / 0.100$  (TYP)  
 J =  $0.90 / 0.035$  (MAX)



RECOMMENDED P.C.B. LAYOUT  
BOTTOM VIEW

**DELTA ELECTRONICS, INC.**

(TAOYUAN PLANT CPBG) 252, SAN YING ROAD, KUEI SAN INDUSTRIAL ZONE, TAOYUAN SHIEN, TAIWAN, R.O.C.  
 TEL: 886-3-3591968; FAX: 886-3-3591991  
 Http://www.delta.com/products/networking

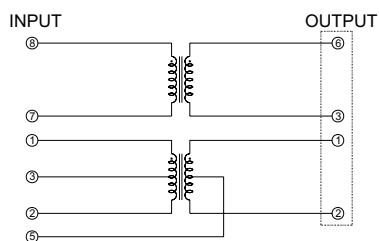


# RJ-45 MODULAR JACK FOR ETHERNET 10BASE-T 1 PORT

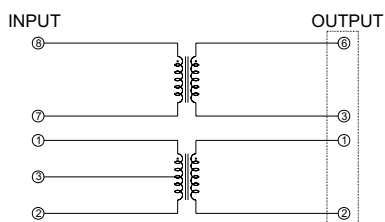
## Networking Components

### SCHEMATICS

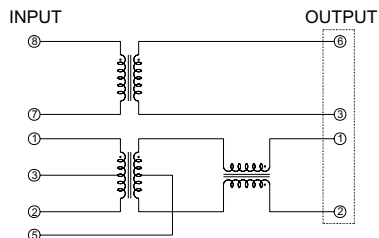
**RT1A\*\*08T089/RT1A\*\*08T089A**



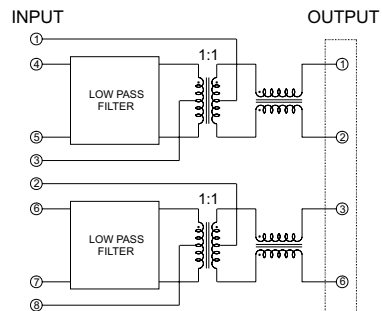
**RT1B\*\*08T089/RT1B\*\*08T089A**



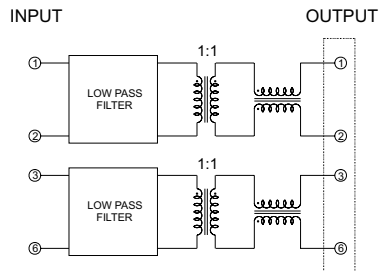
**RT1C\*\*08T089/RT1C\*\*08T089A**



**RL1BA08T089C**



**RL1CA08T089D**



**DELTA ELECTRONICS, INC.**

(TAOYUAN PLANT CPBG) 252, SAN YING ROAD, KUEI SAN INDUSTRIAL ZONE, TAOYUAN SHIEN, TAIWAN, R.O.C.

TEL: 886-3-3591968; FAX: 886-3-3591991

[Http://www.delta.com/products/networking](http://www.delta.com/products/networking)