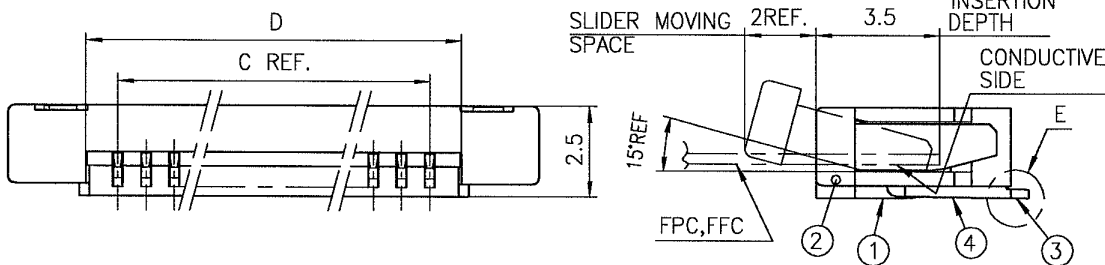
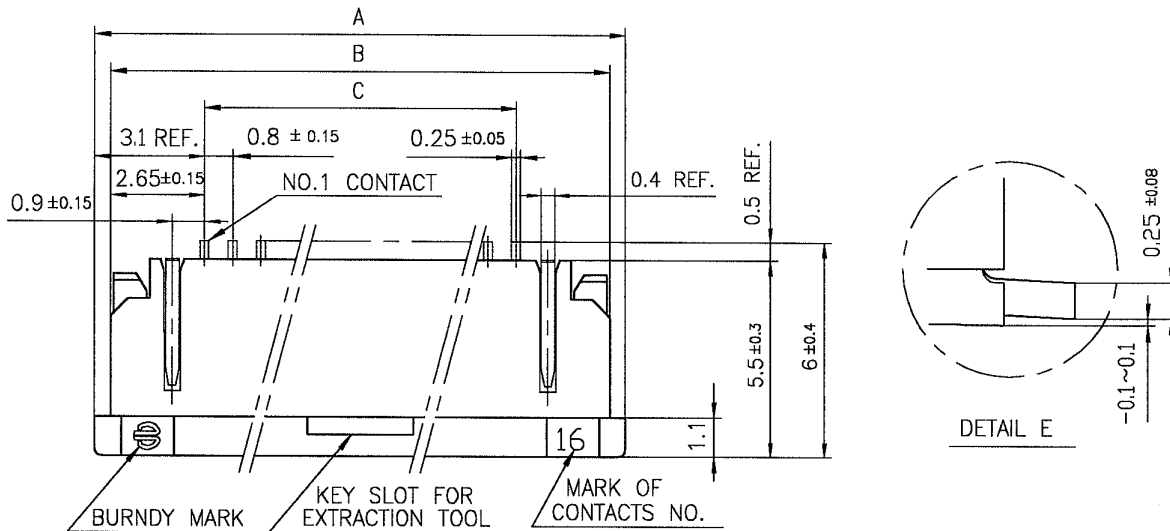


PRODUCT NO. SFR__R-1ST__LF

REVISIONS

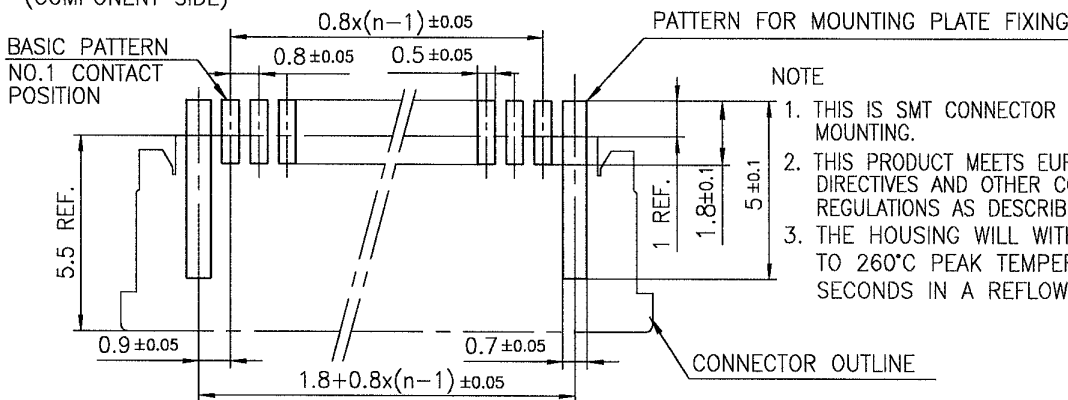
REV	DESCRIPTION	ECN	BY	DATE
A	RELEASED	J05-0280	H.T	5/12/05
B	Added heat resistance	J05-0730	H.T	10/28/05



PT. NO.	PARTS NAME	MATERIAL	Q'TY	NOTE
1	HOUSING	PPS RESIN GLASS REINFORCED (UL94V-0)	1	COLOR : BLACK
2	SLIDER		1	
3	CONTACT	PHOSPHOR BRONZE	n	PLATING : TIN (LEAD FREE)
4	MOUNTING PLATE		2	

n : NO. OF CONTACTS

RECOMMENDED PC BOARD LAYOUT (COMPONENT SIDE)



NOTE

1. THIS IS SMT CONNECTOR FOR AUTOMATIC MOUNTING.
2. THIS PRODUCT MEETS EUROPEAN UNION DIRECTIVES AND OTHER COUNTRY REGULATIONS AS DESCRIBED IN GS-22-008.
3. THE HOUSING WILL WITHSTAND EXPOSURE TO 260°C PEAK TEMPERATURE FOR 10 SECONDS IN A REFLOW SOLDERING OVEN.

SHEET INDEX	ISSUE	B										
	SH NO.	1										
LINEAR	TOLERANCES UNLESS OTHERWISE SPECIFIED	±0.2	DR	<i>M. Motomura</i>	DATE	10/28/05	CUSTOMER COPY	<p>TITLE 0.8mm SPACING CONNECTOR (Cat. No. SFR__R-1ST__LF)</p> <p>PRODUCT FAMILY 58HF</p> <p>SCALE \times SIZE A DWG. NO. JSA 96440</p>				
	APPD	<i>S. Okuda</i>	ENGR	<i>H. Takahashi</i>	10/31/05	THIRD ANGLE PROJ	UNIT				MM	
	ANGLES						INCH					
DO NOT SCALE PRINT		THIS INFORMATION IS CONFIDENTIAL AND IS DISCLOSED TO YOU ON CONDITION THAT NO FURTHER DISCLOSURE IS MADE BY YOU TO OTHER THAN FCI PERSONNEL WITHOUT WRITTEN AUTHORIZATION FROM FCI JAPAN K.K.									REV B	SHEET 1 OF 1

SC-SFR04 JSA96438