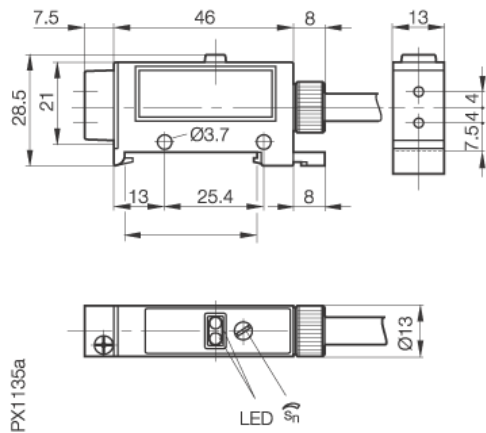


Photoelectric Sensor
BOS 15K-S-E1-02
Sn=mm
Basic Unit for Fibre optic



Common Data

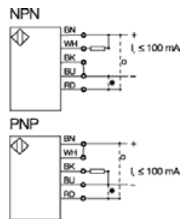
Sensortype	Basic Unit for Fibre optic
Switching frequency	500 Hz
asured operating distance Sa	belonging to Fibre optic
Hysteresis	< 20%
Indication Supply Voltage	no
Indication Switching element on	yes, red LED
Indication Special funktion	LED green Stability indicator
Ambient temperature	-15...+55°C
On-delay	< 1ms
Off-delay	< 1ms
Light	Red light
Sensitivity Adjustment	Poti
Special funktion	Stabilization indicator
Permissable ambient light	3000 Lux
Output funktion	light-on or dark-on

Mechanical Data

Measurements	28x69x13
Shock	Halfsinus, 30gn, 11ms
Vibration	10...55Hz, 1,5mm Amplitude 3x2h
Housing material	ABS
Material of sensing face	belonging to fibre optic
Degree of protection	IP66
Connection	Cable
Weigth	110g (with 2 m Cable)
Type of Cable	PVC

Electrical Data

Current	DC
Switching funktion	switchable
Output	PNP/NPN switchable
Rated operational voltage Ue	24V DC
Rated operational current Ie	100mA
Supply Voltage	10...30V DC
Ripple	max. 6% from UB
Frequency of Supply Voltage	DC
No-load supply current	<30mA
Voltage drop	<1,5V
Short protection	yes
Protected against polarity reversal	no
Rated insulation voltage	75VDC
max. Load capacity	0,5µF



Utilization categories
 Insulation class

Datasheet number:

Definitions see general catalog.
 If not otherwise noted, ratings according to
 IEC 60947-5-2 (DIN EN60947-5-2)

Balluff GmbH
 P.O.Box 1160
 73761 Neuhausen Germany
 Phone (07158) 173-0 Fax (07158) 5010

Datenblatt by CD-ROM - 10/2004

BALLUFF