

#### Features

- Single-, Dual-, and Triple Output Models
- Wide 2:1 Input Range
- Very high Efficiency up to 84%
- Extended Temp. Range available
- Internal Filter to meet EN 55022, Class A and FCC Part 15, Level A
- I/O-Isolation 500VDC (1'500VDC for Triple Output Models)
- Small Dimensions: Single- and Dual Output Models: 50x50x10.5mm, Triple Output Models: 71x61x10.5mm
- Remote ON/OFF
- Shielded Metal Case
- 2 Year Product Warranty



The TAM series is a range of high performance 25W DC/DC-converters with very high power density. They provide a cost effective solution in industrial, datacommunication and telecom applications with limited space on PCB. These converters are built in SMT-hybrid technology on a ceramic substrate which together with a metal case provide a very good heat dissipation. No additional heatsink is necessary for operating temperature up to +75 °C (resp. +85°C) at full load.

Models					
Ordercode	Input voltage range	Output 1	Output 2	Output 3	Efficiency typ.
TAM 25-1211	9.5 – 18VDC	5 VDC/ 4.4 A			75%
TAM 25-2411	18 – 36 VDC	5 VDC/ 5 A			82 %
TAM 25-2412		12 VDC/ 2 A			83 %
TAM 25-2421		+12 VDC/ 1 A	-12 VDC/ 1 A		83 %
TAM 25-2422		+15 VDC/ 0.83 A	-15 VDC/ 0.83 A		83 %
TAM 25-4811	36 – 72 VDC	5 VDC/ 5 A			82 %
TAM 25-4812		12 VDC/ 2 A			83 %
TAM 25-4821		+12 VDC/ 1 A	-12 VDC/ 1 A		83 %
TAM 25-4822		+15 VDC/ 0.83 A	-15 VDC/ 0.83 A		83 %
Models with extended Temp. Range –25 to +85°C					
TAM 25-2411-B	18 – 36 VDC	5 VDC/ 5 A			83 %
TAM 25-2412-B		12 VDC/ 2.5 A			84 %
TAM 25-2431		5 VDC/ 3.8 A	+12 VDC/ 0.25 A	-12 VDC/ 0.25 A	84 %
TAM 25-2432		5 VDC/ 3.1 A	+15 VDC/ 0.31 A	-15 VDC/ 0.31 A	84 %
TAM 25-4811-B	36 – 72 VDC	5 VDC/ 5 A			83 %
TAM 25-4812-B		12 VDC/ 2.5 A			84 %
TAM 25-4831		5 VDC/ 3.8 A	+12 VDC/ 0.25 A	-12 VDC/ 0.25 A	84 %
TAM 25-4832		5 VDC/ 3.1 A	+15 VDC/ 0.31 A	-15 VDC/ 0.31 A	84 %

**Input Specifications**

Input current (no load)	12 Vin models 24 Vin models 48 Vin models	35 mA typ. 30 mA typ. 20 mA typ.
Input current (full load)	12 Vin models 24 Vin; 24 Vin; 24 Vin; 48 Vin; 48 Vin; 48 Vin;	5 Vout models: 12 & ±12 Vout models: other output models: 5 Vout models: 12 & ±12 Vout models: other output models:
		3'000 mA typ. 1'270 mA typ. 1'210 mA typ. 1'250 mA typ. 635 mA typ. 605 mA typ. 625 mA typ.
Surge voltage (only triple- and B- version models)	24 Vin models: 48 Vin models:	39 VDC max.. (1 sec. max.) 75 VDC max. (1 sec. max.)
Conducted noise (input)		EN 55022 level A, FCC part 15, level A

**Output Specifications**

Voltage set accuracy	– main output – auxiliary outputs	dual: triple:	± 1.0 % ± 1.5 % ± 4.0 %
Output voltage adjustment			+ 5 % / – 20%
Regulation	– Input variation Vin min. to Vin max. – single- and triple output models – dual output models – Load variation 10 – 100 %: – single output models – dual output models ( balanced load ) – triple output models – Cross regulation	Out 1: Out 2 & 3:	± 0.5 % max. ± 1.0 % max. ± 1.0 % max. ± 2.0 % max. ± 1.0 % max. ± 3.0 % max. (> 10% load at Out 1) ± 3.0 % max.
Ripple and noise (20 MHz Bandwidth)			120 mVpk-pk max
Temperature coefficient			± 0.02 % / °C
Output current limitation			105% – 130% of Iout max. foldback mode
Short circuit protection			foldback, indefinite (automatic recovery)
Capacitive load (at min load)	single output models: dual output models: triple output models:		500 µF max. 250 µF max. 100 µF max.

**General Specifications**

Temperature ranges	– Operating – Case temperature – Storage	standard: extended: standard: extended:	– 25 °C ... + 75 °C (no derating) – 25 °C ... + 85 °C (no derating) + 95 °C max. + 115 °C max. – 55 °C ... + 125 °C
Humidity (non condensing)			95 % rel H max.
Reliability, calculated MTBF (MIL-HDBK-217 E)			> 400'000 h @ + 25 °C
Isolation voltage	Input/Output	single- & dual output models: triple output- and B- version models:	500 VDC 1'500 VDC
Isolation capacity	Input/Output		10 nF typ

All specifications valid at nominal input voltage, full load and +25°C after warm-up time unless otherwise stated.

**General Specifications**

Isolation resistance	Input/Output (500 VDC)	> 100 M Ohm
Switching frequency (fixed)		300 kHz typ. (Pulse width modulation PWM)
Remote ON/OFF (optional):	ON:	2.5 ... 5.5 VDC or open circuit.
	OFF:	0 ... 1 VDC or short circuit pin 1 and -Vin

**Physical Specifications**

Case material	- single- & dual output models: - triple output- and B- version models:	black coated metal with insulated baseplate Aluminum anodized
Soldering temperature		max. 260 °C / 10 sec.

**Reduction of conducted Noise with external Capacitor**

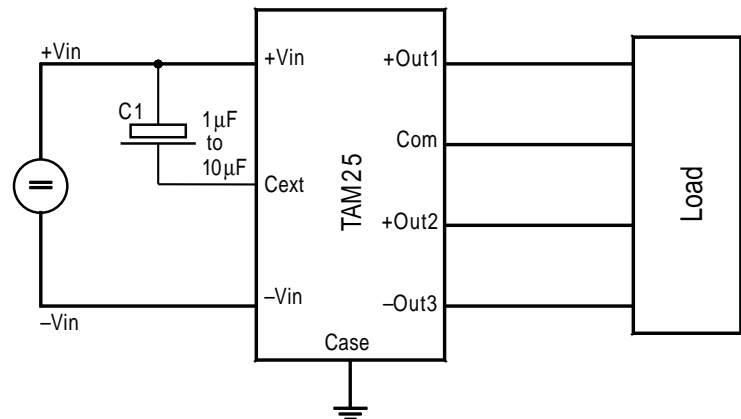
In order to meet conducted emissions EN55022-A and EN55011-A a capacitor at the input side of triple output models and B-version models has to be installed.

**Note:**

C1 = Electrolytic capacitor low ESR type or MLCC Cap for SMD (TCCR or THCR type from Nippon Chemi-Con)

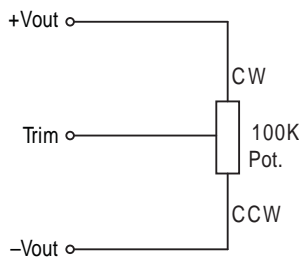
The value of C1 is between 1µF and 10 µF, depending on the load

For 24V input models use 50V capacitor.  
For 48V input models use 100V capacitor.

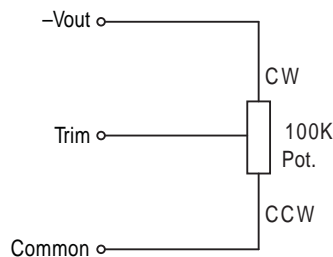


**Output Voltage Adjustment**

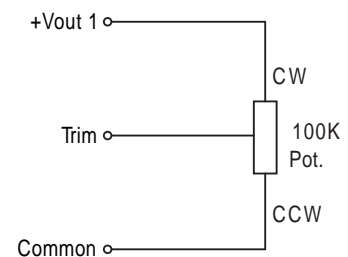
**Single Output**



**Dual Output**



**Triple Output**

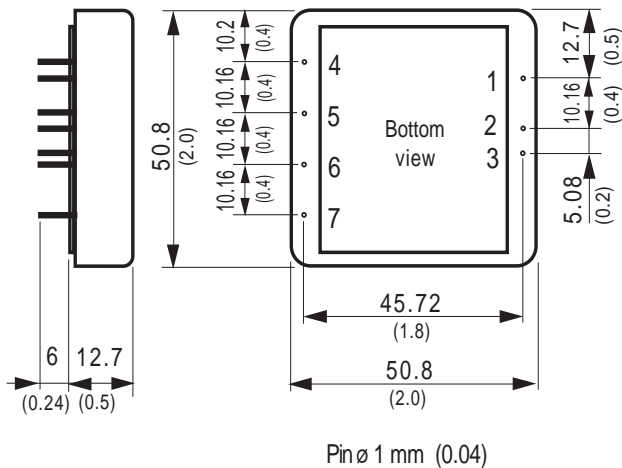


Output voltage adjustment range: +5% to -20%

All specifications valid at nominal input voltage, full load and +25°C after warm-up time unless otherwise stated.

**Outline Dimensions mm (inches)**

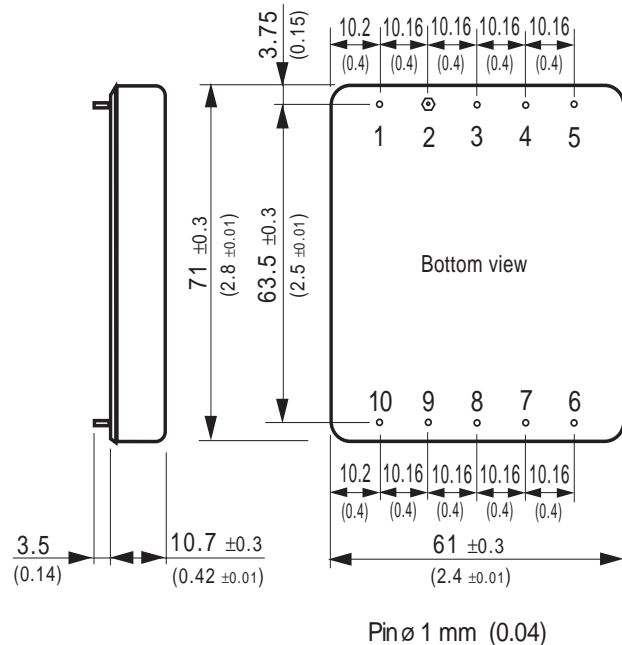
Single- and Dual Output Models



Weight: 55g (0.12lb)

Pin-Out		
Pin	Single	Dual
1	Remote on/off	Remote on/off
2	+Vin (Vcc)	+Vin (Vcc)
3	-Vin (GND)	-Vin (GND)
4	Trim	Trim
5	-Vout	-Vout
6	+Vout	Common
7	No pin	+Vout

Triple Output Models and B-Version



Weight: 60g (0.13lb)

Pin-Out			
Pin	Triple	B-Version 24VDC	B-Version 48VDC
1	Remote on/off	Remote on/off	Remote on/off
2	Case	Case	Case
3	+Vin (Vcc)	-Vin (GND)	+Vin (Vcc)
4	-Vin (GND)	+Vin (Vcc)	-Vin (GND)
5	C ext.	Cext.	C ext.
6	-Vout 3	No function	No function
7	+Vout 2	No function	No function
8	Common	-Vout	-Vout
9	+Vout 1	+Vout	+Vout
10	Trim	Trim	Trim

Specifications can be changed without notice