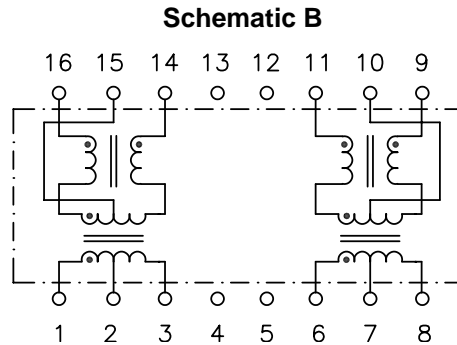
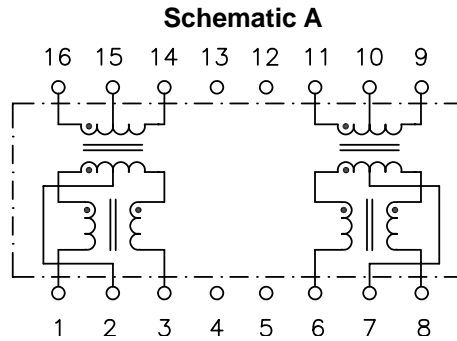
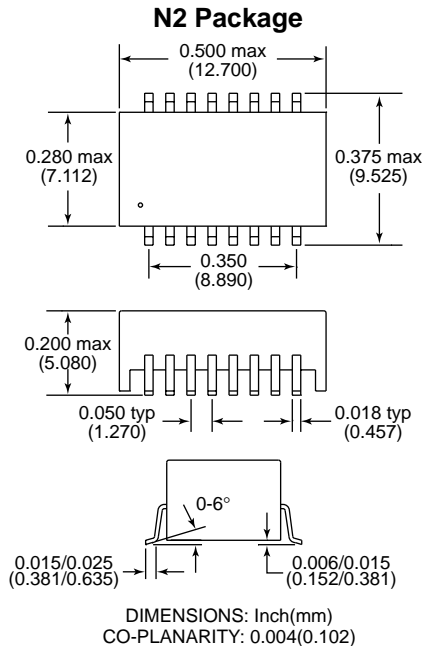


HALO Electronics has developed the ULTRA™ series of 16 pin SOIC Isolation Modules to meet the requirements of IEEE 802.3 for 10/100BASE-TX and ATM155 applications. Designed to provide a significant real estate reduction at the lowest price. Standard devices are available for all Phys. Please visit our web site to select the correct device for the corresponding Phy.



Patented Construction
US Pat Nbrs: 5,656,985
6,297,721 B1
6,297,720 B1
6,320,489 B1
6,344,785 B1

Electrical Specifications @ 25°C

Isolation Voltage:	1,500Vrms
OCL @ 100KHz, 8mA:	350µH min
CMR (0.1-100MHz):	-40dB typ
Crosstalk (0.1-100MHz):	-40dB min
Insertion Loss (0.1-100MHz)	-1.1dB max
Return Loss (0.5-30MHz):	-18dB min
(40MHz):	-15.5dB min
(50MHz):	-13.6dB min
(60-80MHz):	-12dB min



RoHS compliant versions are available.

Specify RoHS compliant product by adding the suffix "RL".

Part Number	Turns Ratio ± 3% (1-3:16-14)/(6-8:11-9)	Circuit Schematic	PRI/SEC Cw/w (pF typ)	PRI LL (µH max)	PRI DCR (Ωmax)
TG110-S050N2	(1CT:1CT) / (1CT:1CT)	A	15	0.4	1.5
TG110-S055N2	(1CT:1CT) / (1CT:1CT)	B	15	0.4	1.5
TG110-S120N2	(2CT:1CT) / (1CT:1CT)	B	15	1.2	.9
TG110-S125N2	(1CT:1CT) / (2CT:1CT)	B	15	1.2	.9
TG110-S131N2	(√2CT:1CT) / (1CT:1CT)	B	15	0.9	.9
TG110-S139N2	(1.25CT:1CT) / (1CT:1CT)	B	15	0.9	.9
TG110-S141N2	(1CT:√2CT) / (1CT:1CT)	B	15	0.4	.9