



STV0903

Multi-standard advanced demodulator for satellite digital TV and data services set-top boxes

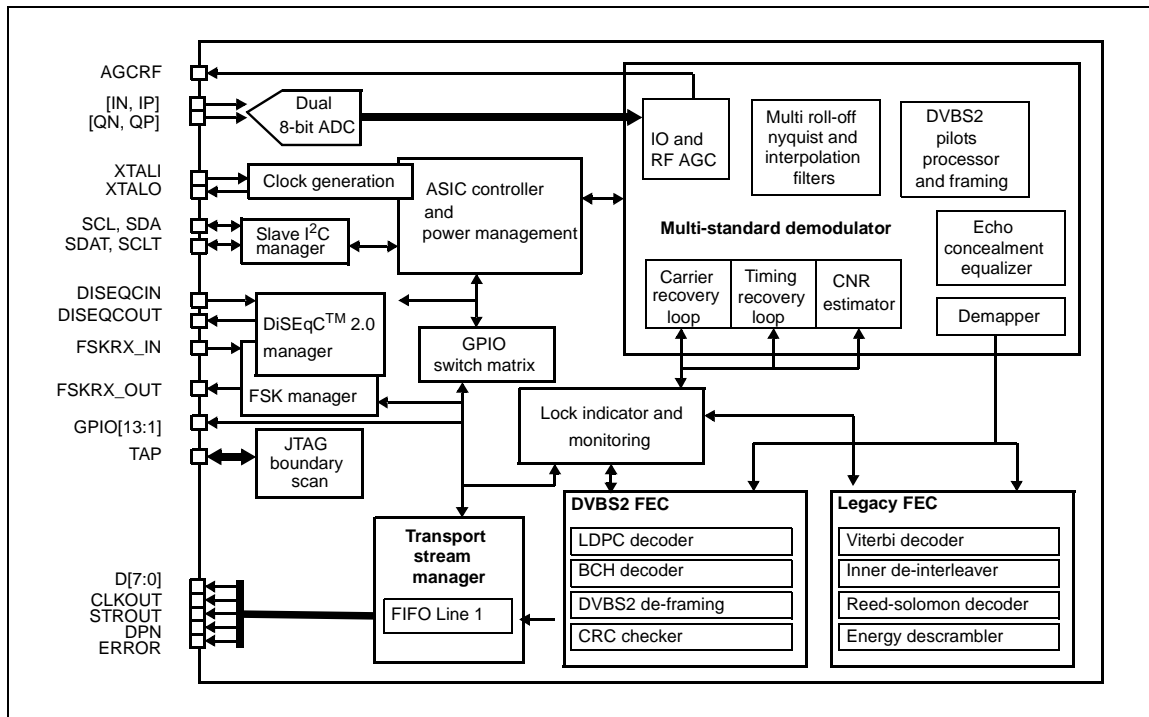
Data Brief

Features

- Demodulation
 - DIRECTV™ and DVBS QPSK
 - DVBS2 QPSK and 8PSK
 - Digital Nyquist root filter with 0.20, 0.25, 0.35 excess bandwidth factors
- Decoding
 - Up to 95 mega channel bits per second (Mcbps) at input to DVBS2 FEC
 - Up to 130 Mcbps DVBS or DIRECTV™ at input to legacy FEC
- Interfaces
 - Dedicated 27 MHz clock generation for back-end decoder
 - I²C serial bus interface
 - JTAG interface - boundary scan
- DiSEqC™ 2.x interface
- GPIOs and interrupt lines
- Monitoring through I²C serial interface
- FSK modem
- Technology
 - 90 nm CMOS process
 - Power saving features
- Package
 - LQFP-128-EP 14x14, 0.4 mm pitch, RoHS.

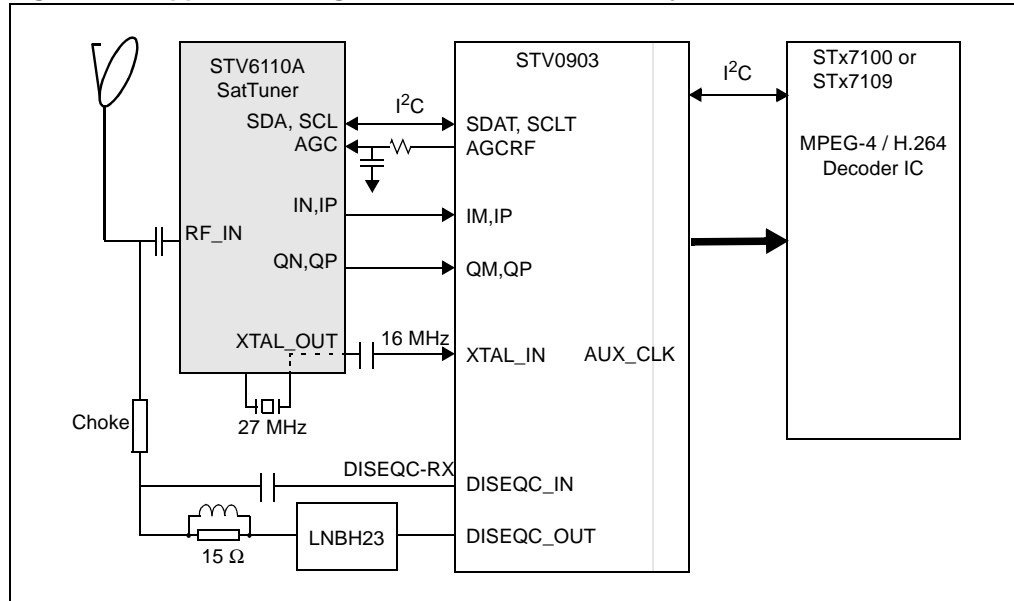
Description

STV0903 is a high performance satellite demodulator capable of handling DVB-S, DIRECTV™ legacy and DVBS2 (QPSK and 8PSK) constant coding and modulation signals for satellite broadcast.



1 Application

Figure 1. Application diagram for DVB-S2 front-end system



2 Ordering information

Table 1. Ordering information

Order code	Packaging
STV0903BAB	LQFP128-14 x 14 mm

3 Revision history

Table 2. Document revision history

Date	Revision	Changes
21-Aug-2008	1	Initial release.

Please Read Carefully:

Information in this document is provided solely in connection with ST products. STMicroelectronics NV and its subsidiaries ("ST") reserve the right to make changes, corrections, modifications or improvements, to this document, and the products and services described herein at any time, without notice.

All ST products are sold pursuant to ST's terms and conditions of sale.

Purchasers are solely responsible for the choice, selection and use of the ST products and services described herein, and ST assumes no liability whatsoever relating to the choice, selection or use of the ST products and services described herein.

No license, express or implied, by estoppel or otherwise, to any intellectual property rights is granted under this document. If any part of this document refers to any third party products or services it shall not be deemed a license grant by ST for the use of such third party products or services, or any intellectual property contained therein or considered as a warranty covering the use in any manner whatsoever of such third party products or services or any intellectual property contained therein.

UNLESS OTHERWISE SET FORTH IN ST'S TERMS AND CONDITIONS OF SALE ST DISCLAIMS ANY EXPRESS OR IMPLIED WARRANTY WITH RESPECT TO THE USE AND/OR SALE OF ST PRODUCTS INCLUDING WITHOUT LIMITATION IMPLIED WARRANTIES OF MERCHANTABILITY, FITNESS FOR A PARTICULAR PURPOSE (AND THEIR EQUIVALENTS UNDER THE LAWS OF ANY JURISDICTION), OR INFRINGEMENT OF ANY PATENT, COPYRIGHT OR OTHER INTELLECTUAL PROPERTY RIGHT.

UNLESS EXPRESSLY APPROVED IN WRITING BY AN AUTHORIZED ST REPRESENTATIVE, ST PRODUCTS ARE NOT RECOMMENDED, AUTHORIZED OR WARRANTED FOR USE IN MILITARY, AIR CRAFT, SPACE, LIFE SAVING, OR LIFE SUSTAINING APPLICATIONS, NOR IN PRODUCTS OR SYSTEMS WHERE FAILURE OR MALFUNCTION MAY RESULT IN PERSONAL INJURY, DEATH, OR SEVERE PROPERTY OR ENVIRONMENTAL DAMAGE. ST PRODUCTS WHICH ARE NOT SPECIFIED AS "AUTOMOTIVE GRADE" MAY ONLY BE USED IN AUTOMOTIVE APPLICATIONS AT USER'S OWN RISK.

Resale of ST products with provisions different from the statements and/or technical features set forth in this document shall immediately void any warranty granted by ST for the ST product or service described herein and shall not create or extend in any manner whatsoever, any liability of ST.

ST and the ST logo are trademarks or registered trademarks of ST in various countries.

Information in this document supersedes and replaces all information previously supplied.

The ST logo is a registered trademark of STMicroelectronics. All other names are the property of their respective owners.

© 2008 STMicroelectronics - All rights reserved

STMicroelectronics group of companies

Australia - Belgium - Brazil - Canada - China - Czech Republic - Finland - France - Germany - Hong Kong - India - Israel - Italy - Japan - Malaysia - Malta - Morocco - Singapore - Spain - Sweden - Switzerland - United Kingdom - United States of America

www.st.com

