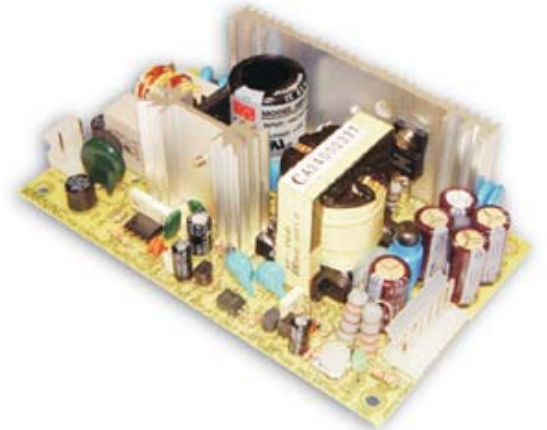


## FEATURES

- Medical Application
- Compact Size, Light Weight
- 100% Full Load Burn-In Test
- Universal AC Input/ Full Range
- UL2601-1, EN60601-1 Approved
- Built-In EMI Filter, Low Ripple Noise
- High Efficiency, Low Working Temperature
- Soft-Start Circuit, Limiting AC Surge Current
- Short Circuit, Overload, and Over Voltage Protected



### SPECIFICATIONS: PSMPD65 Series

All specifications are based on 25°C, Nominal Input Voltage, and Maximum Output Current unless otherwise noted.  
We reserve the right to change specifications based on technological advances.

#### INPUT SPECIFICATIONS

Input Voltage	90 – 264VAC (127 – 370VDC)
Input Frequency	47 to 440Hz
AC Current (typical)	1.6A @ 115VAC / 1A @ 230VAC
Inrush Current	20A @ 115VAC cold start / 40A @ 230VAC cold start.
Leakage Current	Less than 0.3mA @ 264VAC

#### OUTPUT SPECIFICATIONS

Output Voltage	See Table
Output Voltage Tolerance	±4.0% (CH.1) and ±7.0% (CH.2)
Output Adjustment Range	CH1: ±10% rated output voltage.
Output Power (max)	72 Watts with 18CFM min. forced air.
Line Regulation	±1% (CH.1) and ±2% (CH.2)
Load Regulation	±3% (CH.1) and ±4% (CH.2)
Output Current	See Table
Ripple & Noise (20MHz BW)	See Table
Setup, Rise Time	800ms and 20ms at full load and 230VAC.
Hold-Up Time	80ms at full load and 230VAC.
Temperature Coefficient	±0.04%/°C (0~50°C) on +5V output.

#### PROTECTION

Over Voltage Protection	CH.1 115~135% rated output voltage.
Overload Protection	73~105W hiccup mode, auto-recovery.

#### GENERAL SPECIFICATIONS

Switching Frequency (fixed)	45KHz
Efficiency	PSMPD-65A: 75% PSMPD-65B: 78%
Isolation Voltage (input to output)	4000VAC for 1 min.
Isolation Voltage (input to field ground)	1500VAC for 1min.
Isolation Resistance	100M/500VDC ohms

#### ENVIRONMENTAL SPECIFICATIONS

Operating Temperature	-10°C to +55°C (refer to derating curve)
Storage Temperature	-20°C to +85°C (10%~95% RH)
Humidity (non-condensing)	20% to 90% RH
Vibration	10~500Hz, 2G 10min./1cycle, Period for 60 minutes each along X, Y, and Z axes.
MTBF	291,300 hours min. MIL-HDBK-217 (25°C)

#### PHYSICAL SPECIFICATIONS

Weight	280g
Dimensions	127(L) x 76(W) x 42(H) mm

#### SAFETY & EMC

Agency Approvals	UL/ CUL/ TUV/ CB/ CE
Safety Standards	UL2601-1, TUV EN60601-1, IEC601-1 Approved
EMC Standards	EN55011 class B, EN61000-4-2,3,4,5,6,8,11, EN61000-3-2,3, EN60601-1-2, ENV50204

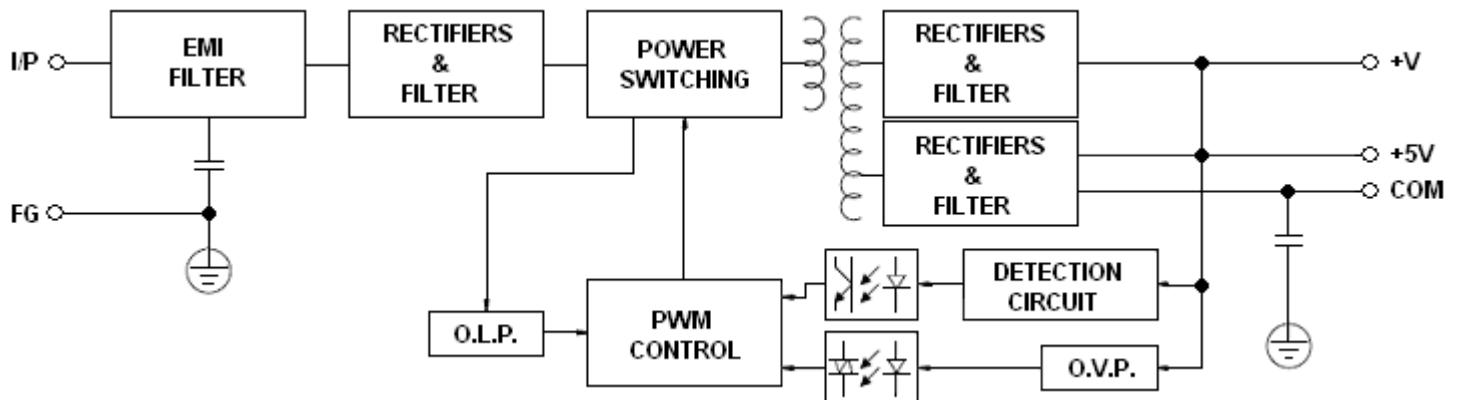
**OUTPUT VOLTAGE / CURRENT RATING CHART**

Model		Input Voltage	Output Voltage	Output Current Range	Output Current	Ripple & Noise	Output Power
PSMPD65A	Channel 1	90~264VAC	5 VDC	0.4 ~ 7.0A	5.5A	60mVp-p	61W
	Channel 2		12 VDC	0.2 ~ 3.2A	2.8A	150mVp-p	
PSMPD65B	Channel 1	127~370VDC	5 VDC	0.4 ~ 6A	3.5A	60mVp-p	66W
	Channel 2		24 VDC	0.2 ~ 2.6A	2A	150mVp-p	

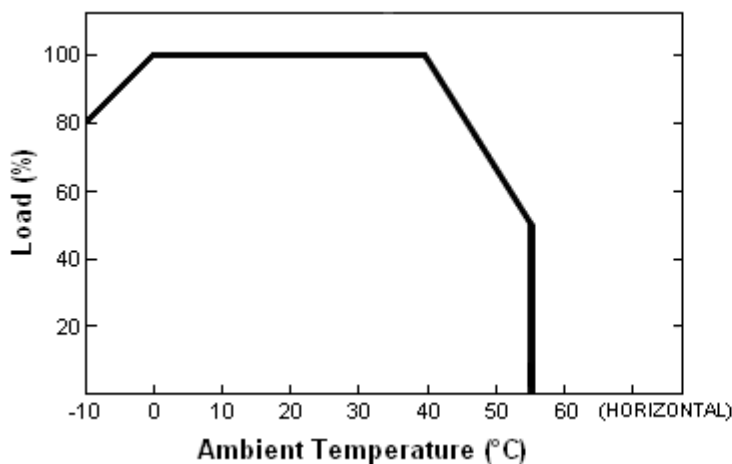
**NOTES**

1. All parameters are specified at 230VAC input, rated load, 25°C ambient.
2. Tolerances include set up tolerance, line regulation, load regulation.
3. Line regulation is measured from low line to high line at rated load.
4. Mounting holes M1 and M2 should be grounded for EMI purposes.
5. Ripple & noise are measured at 20MHz by using a 12" twisted pair terminated with a 0.1uF & 47uF capacitor.

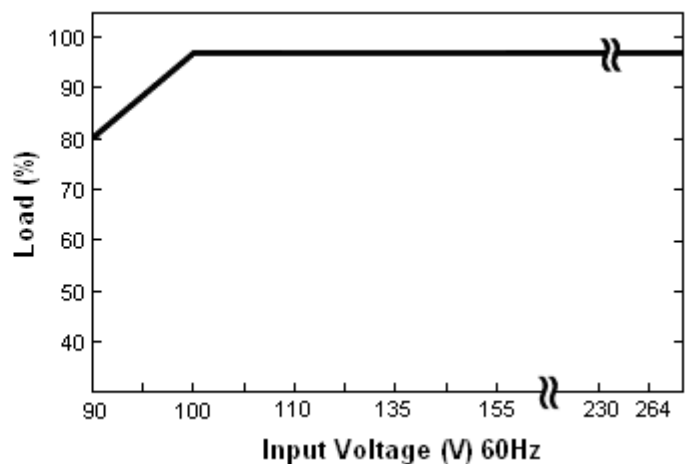
**BLOCK DIAGRAM**



**DERATING CURVE**

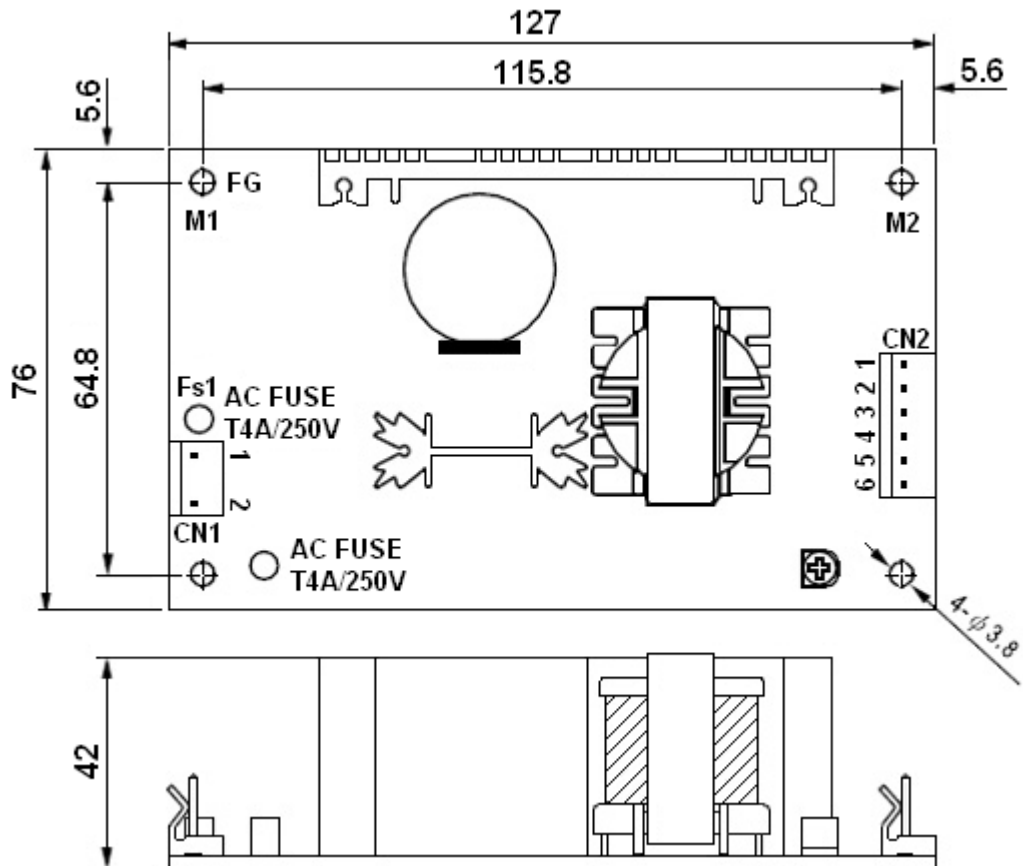


**STATIC CHARACTERISTICS**



**MECHANICAL DRAWING**

Unit: mm



**AC Input Connector (CN1): Molex 5277-02 or equivalent**

Pin. No	Assignment	Mating Housing	Terminal
1	AC/N	Molex 5195 or equivalent	Molex 5194 or equivalent
2	AC/L		

**DC Output Connector (CN2): Molex 5273-06 or equivalent**

Pin No.	Assignment	Mating Housing	Terminal
1	+V	Molex 5195 or equivalent	Molex 5194 or equivalent
2,3	+5V		
4,5	COM		
6	NC		