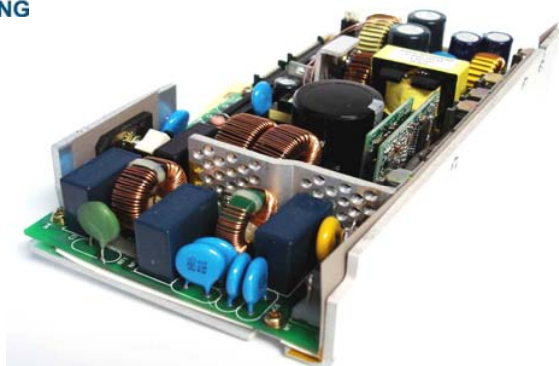
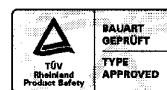




275-Watt Power-Over-Ethernet Power Supply PSM275-909 with active Power Factor Correction



PRELIMINARY



Features

- 12V for Switch plus PoE
- 8-24 Ports PoE
- RS232 with Windows GUI
- EMI Class B
- Power Management
- Full Protection OVP, OTP, OCP, UVP
- 1U
- Operate from AC or Single Voltage 48V RPS Source

Applications

- 10/100 Base T Ethernet switches
- Security Systems
- VoIP Phone systems
- Blades

Safety Approvals

- cUL/UL
- CE
- TUV

Mechanical Characteristics

- Length: 197.5mm (7.78in)
- Width: 105mm (4.13in)
- Height: 40mm (1.57in)
- Weight: 1kg (2.5lb.)

Output Specifications

Model	DC Output Voltage	Load (2)		Ripple (1) P-P (max)	Regulation	
		Min.	Max.		Line	Load
PSM275-909	50V (per port)	0A	0.35A	≤20KHz 300mVp-p >20KHz 50mVp-p	±2%	±5%
	12V	0.75A	6.25A		±2%	±5%

Note: (1) Noise is measured with resistor load (not as electronic load). The output is decoupled with 10uF bulk electrolytic and 0.1uF ceramic capacitor. Measurement is made with a high impedance probe connected across the decoupling capacitance. Band width limited to 100mHz. (2) The sum of total powered ports cannot exceed 200W.

Phihong reserves the right to make changes without further notice. Please consult Phihong USA and visit www.phihong.com for the most up-to-date specifications.

INPUT:**AC Input Voltage Rating**

100 to 240VAC

AC Input Voltage Range

90 to 264VAC

AC Input Current4A(RMS) max. for 115VAC/60Hz at max. load
2A(RMS) max. for 230VAC/50Hz at max. load**AC Input Line Fuse**

5A

Leakage Current

3.5mA max. @ 254VAC 60Hz

AC Input Frequency

47-63Hz

AC Inrush Current20A(RMS) max. for 115VAC/60Hz at max. load
40A(RMS) max. for 230VAC/50Hz at max. load**OUTPUT:**

Output Input Source	Max. Watt (PoE)	Max. Watt (12V Switch)
AC	200W	75W
DC	370W	75W

Efficiency

80% min. @ 90VAC ≤ Vin ≤ 264VAC

Total Output Power

275Watts with a min. of 12CFM airflow

Hold-up Time

20ms

Power Factor Correction

Meet EN61000-3-2

Over Voltage Protection

59.5V max. latching-reset of input voltage required

Over Temperature Protection

Automatically shut down by over temperature shutdown circuit

Short Circuit Protection

No fire, shock hazard or damage to power supply by short circuit. Power supply continues to operate after short circuit is removed.

ENVIRONMENTAL:**Temperature**Operation 0 to +55°C
Non-operation -20 to +70°C**Humidity**Operation 10 to 95%
Non-Operation 10 to 95%**Altitude**Operation up to 3km (10K feet)
Non-Operation up to 12.2km (40K feet)**EMC**Conduction: FCC Part 15 Class A
EN55022 (CISPR22) Class ARadiation: Support customer in passing
FCC/CISPR22 Class A for overall EMI rating**Isolation Test**

Input to earth ground—1500VAC or 2200VDC for 1 minute, less than 10mA leakage current

Immunity EN50082-1ESD: EN61000-4-2. Level 4
EFT/Burst: EN61000-4-4. Level 3
Line Transient: EN61000-4-5. Level 3
Voltage Dips EN61000-4-11
Harmonic: EN61000-3-2**FEATURE:****Input AC Connector**

Molex p/n 09-65-2029 or equivalent

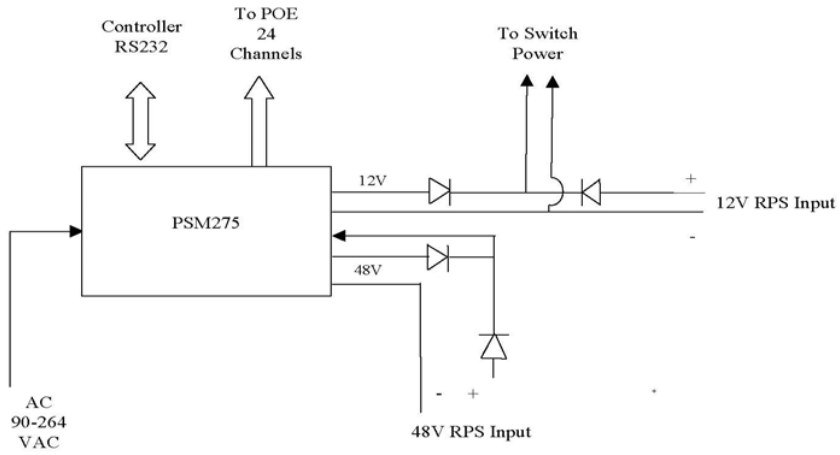
Isolated RPS DC in Connector

Molex p/n 39-31-0120 or equivalent

Power-Over-Ethernet Output Connector

Molex p/n 90325-0018 or equivalent

Block Diagram



Dimension Diagram Unit: mm

