



FEATURES

- IEEE 802.3u compliant Auto-Negotiation
- Active internal hybrids for 1000BASE-T
- Direct drive LED support
- Software configurable LED support
- User programmable PHY address
- Loopback mode

BENEFITS

- Automatically configures to 10, 100 or 1000 Mbps
- Lower cost magnetics
- Eliminates cost of external LED latches and drivers
- User-defined LED configuration
- Works with all existing Gigabit switch designs
- Assists testing and diagnostics

APPLICATIONS

The Marvell Alaska Quad transceivers enable higher port count Gigabit switches, up to 48 ports. Through integrated SERDES technology, the device also offers optional support for 1000BASE-SX/LX Gigabit fiber standards, on a per port basis, enabling mixed-media Gigabit switches. The Alaska Quad products support the GMII, RGMII, SGMII, TBI, and RTBI PHY/MAC interface options.

The Alaska Quad transceivers offer the most advanced feature set including VCT technology used to diagnose the attached cable plant and isolate and report cable faults with one-meter accuracy. Additionally, the devices feature "2-pair downshift" capability for plug-and-play operation in 2-pair cable environments, as well the Media Detect feature which supports both copper and fiber media simultaneously.

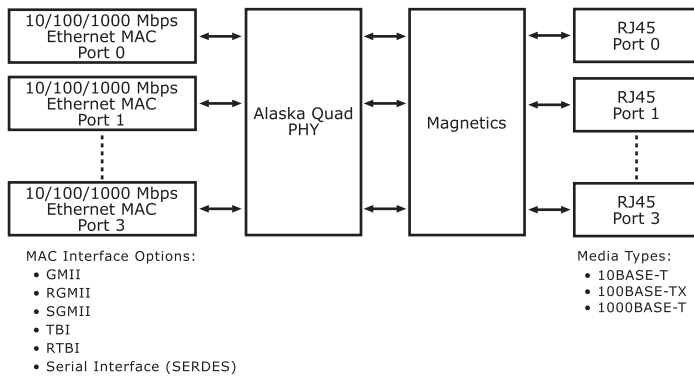


Fig 2. Alaska Quad GbE Transceiver (88E1141/88E1145) Copper Applications Diagram

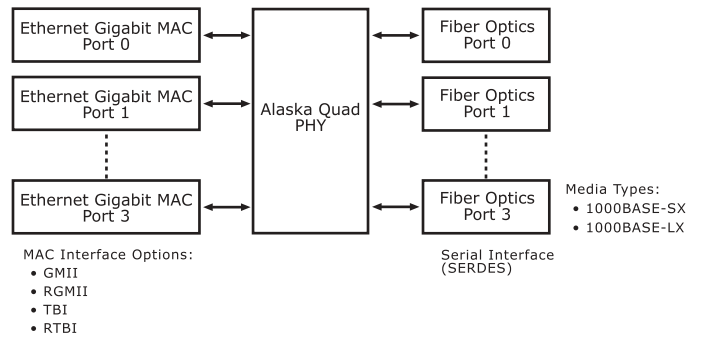


Fig 3. Alaska Quad GbE Transceiver (88E1141/88E1145) Fiber Applications Diagram

THE MARVELL ADVANTAGE: The Marvell Alaska Quad GbE transceivers come with a complete set of hardware and software development tools to assist network hardware engineers with product evaluation. Marvell's worldwide field applications engineers collaborate closely with network equipment vendors to develop and deliver new competitive products to market on time. Marvell utilizes recognized world-leading semiconductor foundry and packaging services to reliably deliver high-volume and low cost total solutions.

For more information, visit our website at www.marvell.com.



Marvell Semiconductor, Inc.

700 First Avenue
Sunnyvale, CA 94089
Phone 408.222.2500
www.marvell.com

©2002 Marvell International Ltd. All rights reserved. Marvell, the Marvell logo, Moving Forward Faster, Alaska, the Galileo logo, and GalNet are registered trademarks of Marvell. Discovery, Fastwriter, Galileo Technology, GalTis, Horizon, Libertas, Link Street, PHY Advantage, Presteria, Raise the Technology Bar, Virtual Cable Testers, and Yukon are trademarks of Marvell. All other trademarks are the property of their respective owners.

88E1141/1145-001 11/02