




RF TRANSFORMER

Low Profile Wideband RF Transformers



-  Miniature surface mount package
-  Excellent insertion loss
-  Various Frequencies and Ratios

Electrical Specifications @ 25°C — Operating Temperature -40°C to +85°C

Part Number	Impedance Ratio (Pri:Sec)	Turns Ratio (Pri:Sec)	Insertion Loss ¹ (dB TYP)			Return Loss (dB TYP)						
			3 dB	2 dB	1 dB	0.3 MHz	50 MHz	100 MHz	150 MHz	200 MHz	300 MHz	-
CX2141	4CT:1CT	2CT:1CT	.3-300	.4-200	.5-90	-4	-15	-16	-13	-10	-6	-
CX2157	1:1CT	1:1CT	.4-800	.5-700	1-600	400 KHz	1 MHz	10 MHz	50 MHz	200 MHz	400 MHz	800 MHz
						-13	-18	-28	-26	-16	-10	-7
CX2158	1:4CT	1:2CT	2-775	3-600	6-250	2 KHz	6 MHz	58 MHz	106 MHz	250 MHz	775 MHz	-
						-16	-22	-21	-20	-16	-6	-

NOTE : 1. Referenced to Mid-band Frequency - Input Impedance: 75Ω. 2. For optional Tape & Reel packaging, add a "T" suffix to the part number (ex: CX2141T).

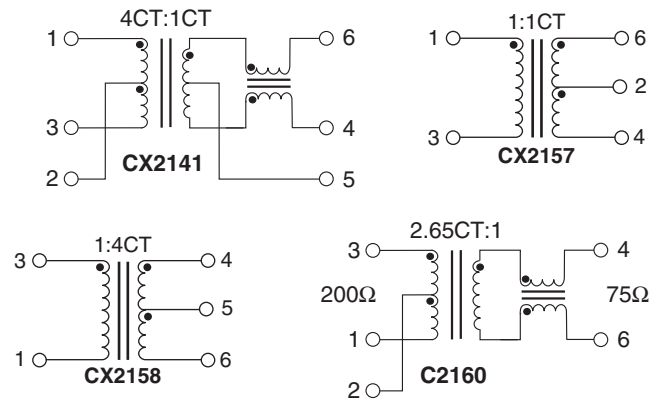
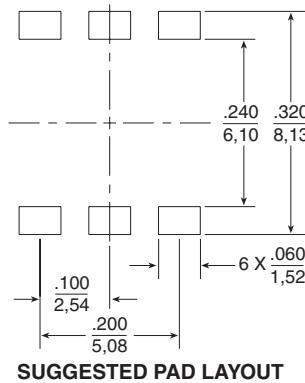
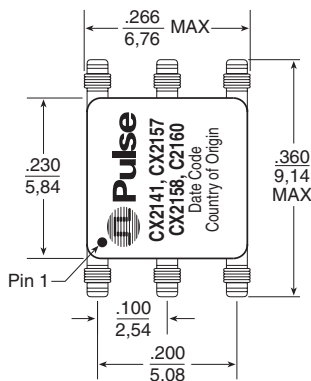
Electrical Specifications @ 25°C

Part Number	Impedance Ratio (Pri:Sec)	Return Loss (dB MAX)	Insertion Loss (dB MAX)					Hipot (Vrms)	CMRR (dB MIN)				DCR (Ω MAX)	
			5-65MHz	100kHz	300kHz	400kHz-70MHz	100MHz		130MHz	300kHz-1MHz	10MHz	60MHz	80MHz-300MHz	Pins 1-3
C2160	2.65:1	-16	-3	-2	-1	-2	-3	500	-50	-40	-30	-20	.35	.65

Mechanical

Schematics

CX2141/CX2157/CX2158/C2160



Weight0.17 grams
Tape & Reel1500 /reel
Tube60 /tube

Dimensions: Inches
mm

Unless otherwise specified, all tolerances are ± .005
0,13

For More Information:

Pulse Worldwide Headquarters

12220 World Trade Drive
San Diego, CA 92128
U.S.A.
www.pulseeng.com
TEL: 858 674 8100
FAX: 858 674 8262

Pulse Northern Europe

3 Huxley Road
Surrey Research Park
Guildford, Surrey GU2 5RE
United Kingdom
TEL: 44 1483 401700
FAX: 44 1483 401701

Pulse Southern Europe

Zone Industrielle
F-39270
Orgelet
France
TEL: 33 3 84 35 04 04
FAX: 33 3 84 25 46 41

Pulse China Headquarters

No. 1
Industrial District
Changan, Dongguan
China
TEL: 86 769 5538070
FAX: 86 769 5538870

Pulse North China

Room 1002
No. 819
Nanjing West Rd
Shanghai
China
TEL: 86 21 32181071
FAX: 86 21 32181396

Pulse South Asia

150 Kampong Ampat
#07-01/02
KA Centre
Singapore 368324
TEL: 65 6287 8998
FAX: 65 6280 0080

Pulse North Asia

3F-4, No. 81, Sec. 1
Hsin Tai Wu Road
Hsi-Chih
Taipei Hsien
Taiwan
TEL: 886 2 26980228
FAX: 886 2 26980948

Performance warranty of products offered on this data sheet is limited to the parameters specified. Data is subject to change without notice. Other brand and product names mentioned herein may be trademarks or registered trademarks of their respective owners.

© Copyright, 2005. Pulse Engineering, Inc. All rights reserved.

www.pulseeng.com

C232.C (8/05)